

DESIGNED & DIMENSIONED
IN MILLIMETERS [INCHES]

LPHT-XX-XX-X-RTX-XX

DO NOT
SCALE FROM
THIS PRINT

POWER POS (TOTAL)

-02, -04, -06, -08,
-10, *-12, *-14

SIGNAL POS (TOTAL)

*-12, -16, -20, -24,
-28, -32, *-36, *-40

PLATING SPECIFICATION

-L: 10 μ" SELECTIVE GOLD IN CONTACT
AREA. MATTE TIN ON TAIL
-S: 30 μ" SELECTIVE GOLD IN CONTACT
AREA. MATTE TIN ON TAIL

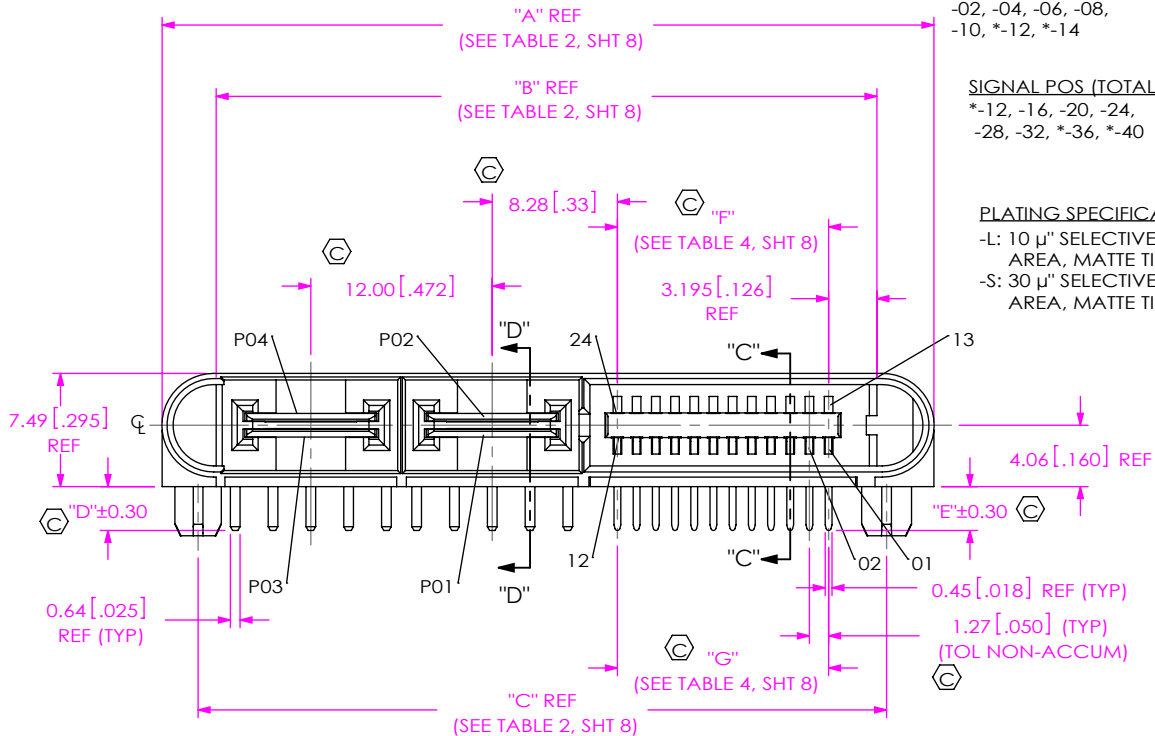
OPTIONS

-GP: GUIDE POSTS
(LEAVE BLANK FOR NO -GP OPTION)
-BLANK: NO GP OPTION
*-HS: HOT SWAP
(ONE BANK OF OUTER POWER POS ARE
LONG PINS, POWER PIN ONLY)
(NOT AVAILABLE ON -02 POWER POS)
(LEAVE BLANK FOR NO HOT SWAP)

TAIL

-RT1: RA-TH, 1.58[.062] BOARD
-RT2: RA-TH, 2.36[.093] BOARD

(* = NOT TOOLED)



LPHT-04-24-X-RTX-GP

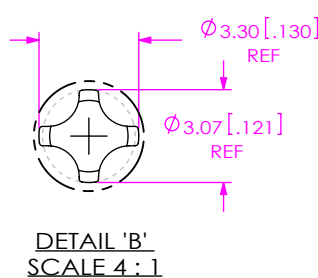
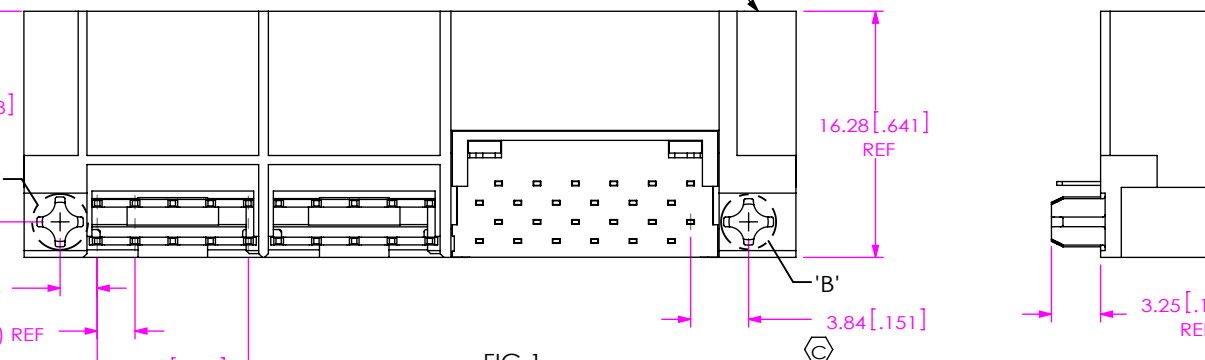
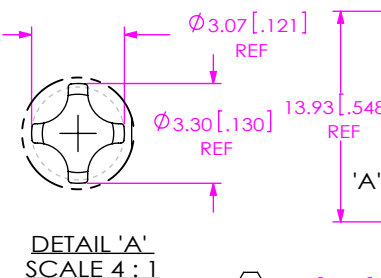
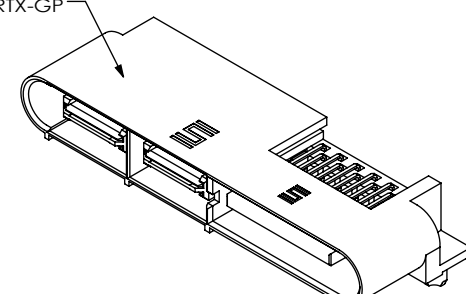


TABLE 1		
TAIL	"D"	"E"
-RT1	2.90 [.114]	2.90 [.114]
-RT2	3.60 [.142]	3.60 [.142]

- NOTES:
- ⊕ REPRESENTS A CRITICAL DIMENSION.
 - MINIMUM PUSHOUT FORCE: SIGNAL PIN: 0.5 LBS, POWER PIN: 3.0 LBS.
 - MAXIMUM ALLOWABLE BOW: 0.15[.006] MM/MM AFTER ASSEMBLY.
 - MAXIMUM BURR ON SHEARED TAILS: 0.10[.004].
 - ALL P/N'S REQUIRE PRESSING TO PCB DUE TO ALIGNMENT PEGS, CONTACT SAMTEC FOR REQUIRED FIXTURES.
 - ASSEMBLIES TO BE PACKAGED IN TRAYS.

UNLESS OTHERWISE SPECIFIED,
DIMENSIONS ARE IN MILLIMETERS.
TOLERANCES ARE:
DECIMALS ANGLES
X.X: ±0.3 [01] 2°
X.XX: ±0.13 [005]
X.XXX: ±0.051 [0020]

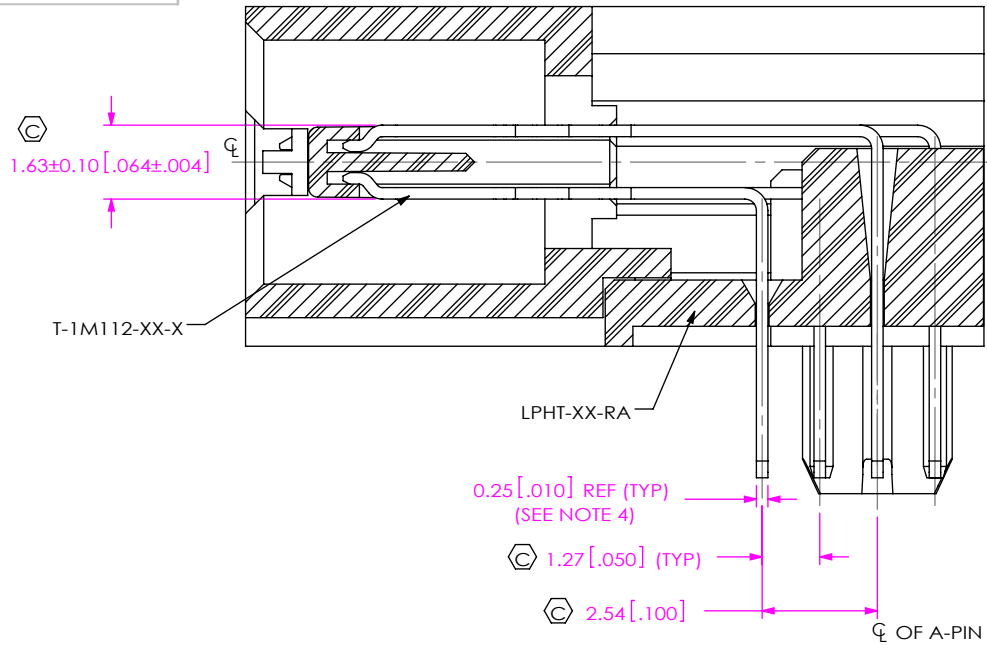
PROPRIETARY NOTE
THIS DOCUMENT CONTAINS CONFIDENTIAL AND
PROPRIETARY INFORMATION AND ALL DESIGN,
MANUFACTURING, REPRODUCTION, USE, PATENT RIGHTS
AND SALES RIGHTS ARE EXPRESSLY RESERVED BY SAMTEC,
INC. THIS DOCUMENT SHALL NOT BE DISCLOSED, IN WHOLE
OR PART, TO ANY UNAUTHORIZED PERSON OR ENTITY NOR
REPRODUCED, TRANSFERRED OR INCORPORATED IN ANY
OTHER PROJECT IN ANY MANNER WITHOUT THE EXPRESS
WRITTEN CONSENT OF SAMTEC, INC.

MATERIAL: DO NOT SCALE DRAWING SHEET SCALE: 2:1
INSULATORS: LCP, COLOR: BLACK
SIGNAL TERMINAL: BRASS
POWER TERMINAL: COPPER ALLOY

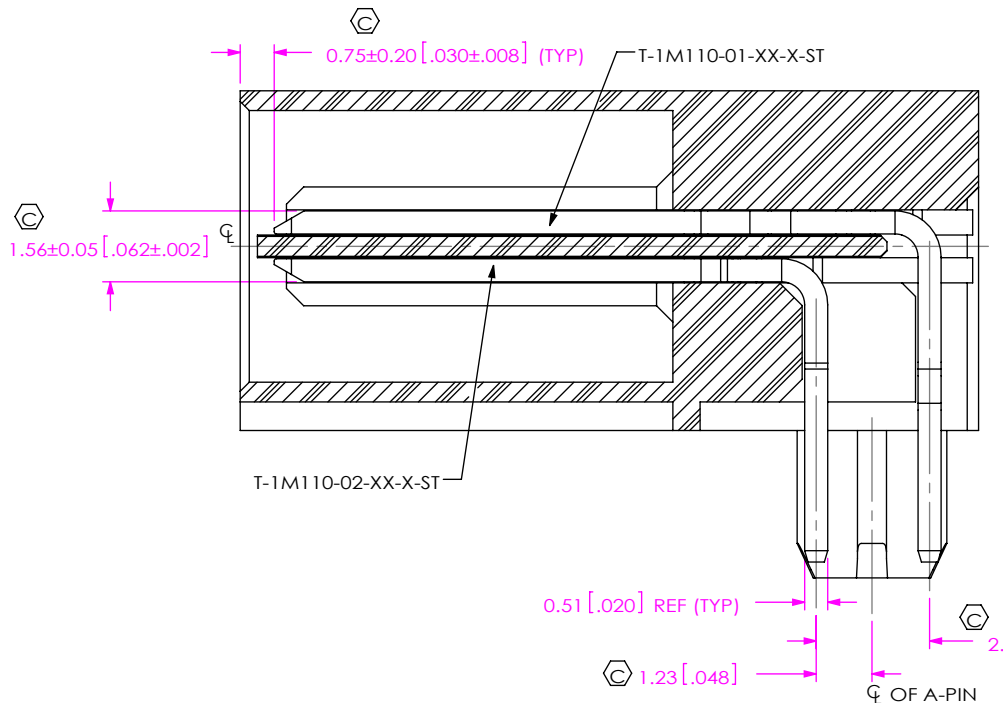


520 PARK EAST BLVD. NEW ALBANY, IN 47150
PHONE: 812-944-6733 FAX: 812-948-5047
e-Mail info@SAMTEC.com code 55322

DESCRIPTION:	LPHT-RA TERMINAL ASSEMBLY
DWG. NO.	LPHT-XX-XX-X-RTX-XX
BY:	ROY LUO 11/28/2011 SHEET 1 OF 8



SECTION "C"-"C"
SCALE 6:1



SECTION "D"-"D"
SCALE 6:1

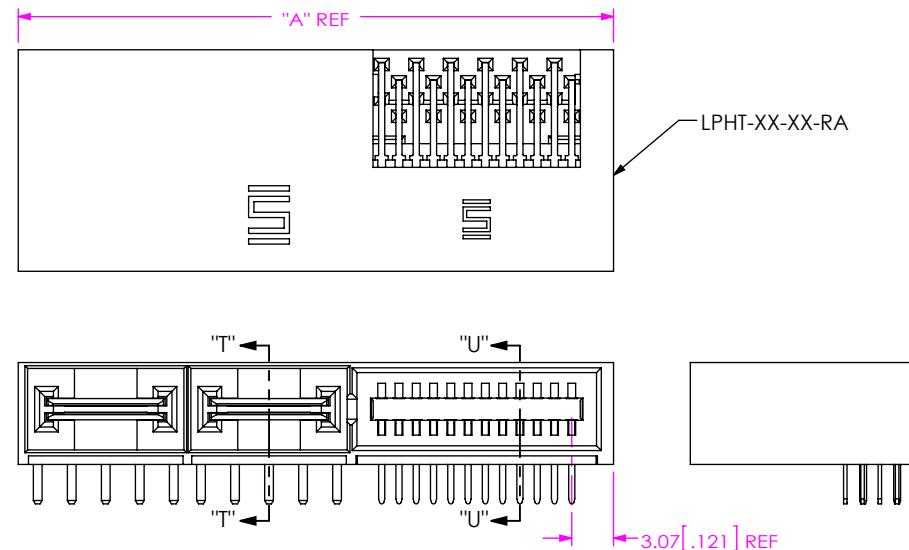
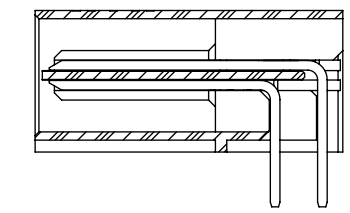
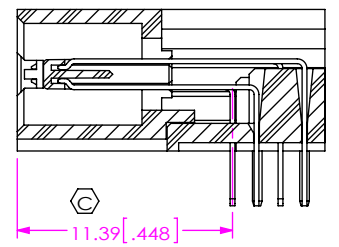


FIG 2
LPHT-04-24-X-RTX SHOWN
(DIFFERENT AS SHOWN, OTHERWISE SAME AS FIG 1)



SECTION "T"-"T"
(DIFFERENT AS SHOWN,
OTHERWISE SAME AS SECTION "D"-"D")



SECTION "U"-"U"
(DIFFERENT AS SHOWN,
OTHERWISE SAME AS SECTION "C"-"C")

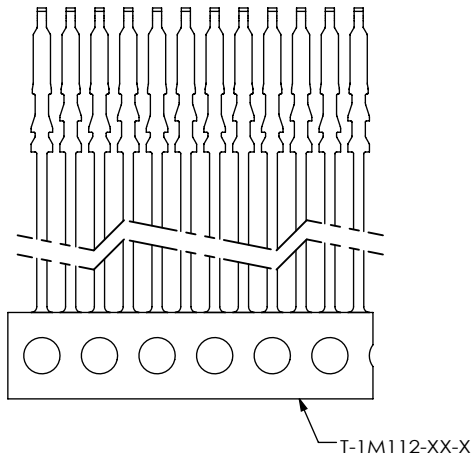
PROPRIETARY NOTE
THIS DOCUMENT CONTAINS CONFIDENTIAL AND PROPRIETARY INFORMATION AND ALL DESIGN, MANUFACTURING, REPRODUCTION, USE, PATENT RIGHTS AND SALES RIGHTS ARE EXPRESSLY RESERVED BY SAMTEC, INC. THIS DOCUMENT SHALL NOT BE DISCLOSED, IN WHOLE OR PART, TO ANY UNAUTHORIZED PERSON OR ENTITY NOR REPRODUCED, TRANSFERRED OR INCORPORATED IN ANY OTHER PROJECT IN ANY MANNER WITHOUT THE EXPRESS WRITTEN CONSENT OF SAMTEC, INC.

DO NOT SCALE DRAWING
SHEET SCALE: 1.5:1

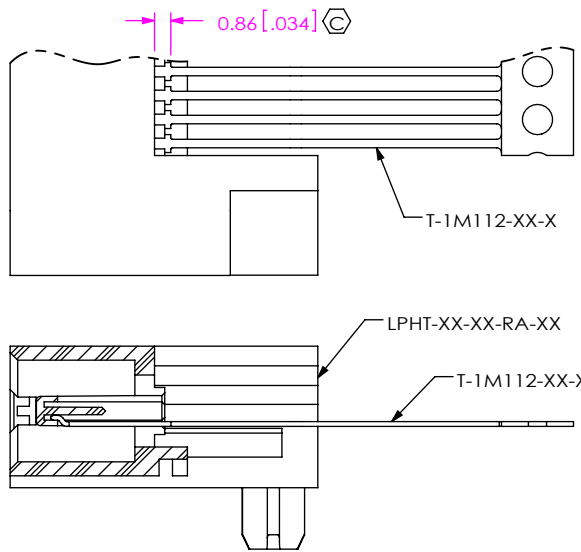


520 PARK EAST BLVD, NEW ALBANY, IN 47150
PHONE: 812-944-6733 FAX: 812-948-5047
e-Mail info@SAMTEC.com code 55322

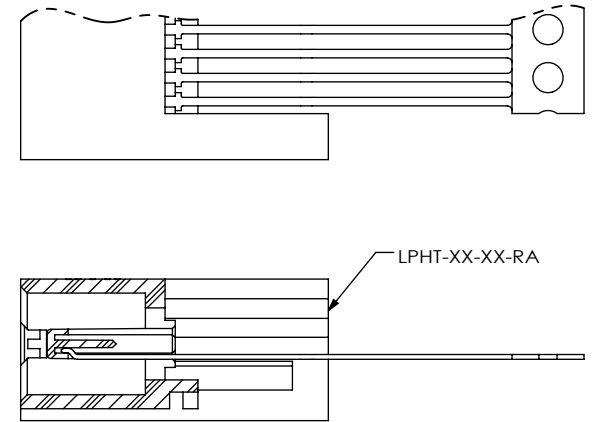
DESCRIPTION:	LPHT-RA TERMINAL ASSEMBLY
DWG. NO.	LPHT-XX-XX-X-RTX-XX
BY:	ROY LUO 11/28/2011 SHEET 2 OF 8



IN-PROCESS 1
REMOVE TIE BARS FOR T-1M112-XX-X



GP OPTION



NO GP OPTION
(DIFFERENT AS SHOWN, OTHERWISE SAME AS GP OPTION)

IN-PROCESS 2
FILL SIGNAL BOTTOM ROW

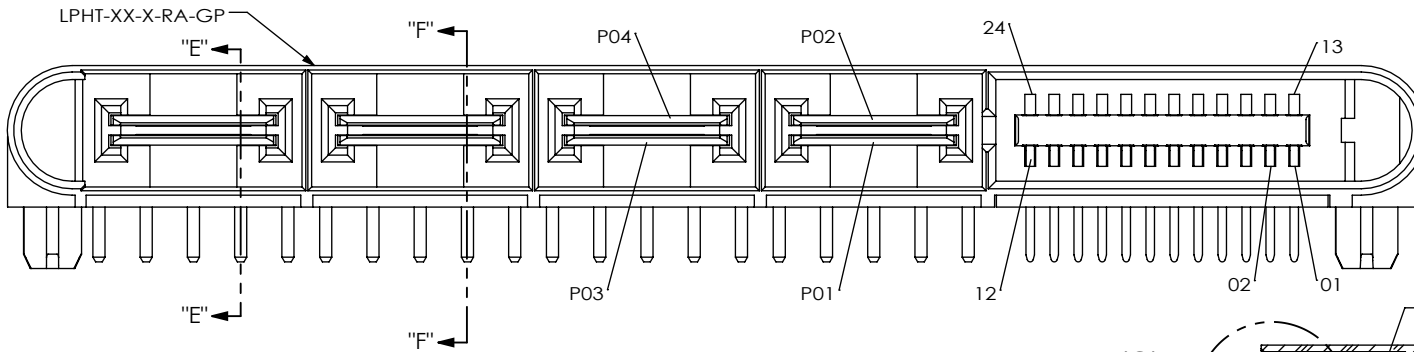
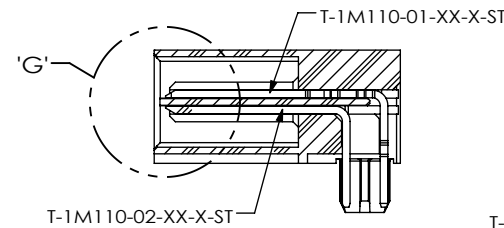
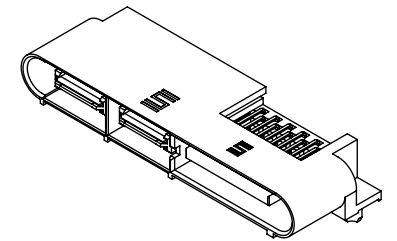
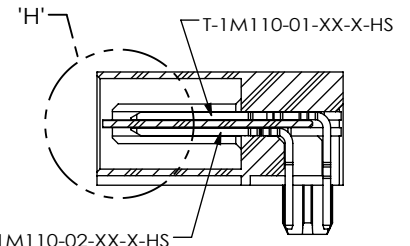


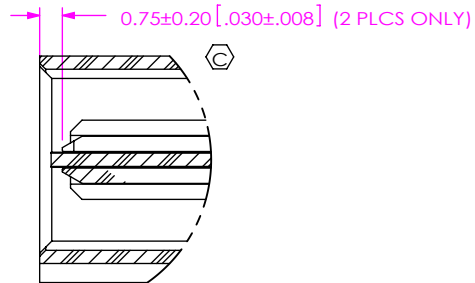
FIG 3
LPHT-08-24-X-RTX-GP-HS SHOWN
(DIFFERENT AS SHOWN, OTHERWISE SAME AS FIG 1)
(NOT TOOLED)



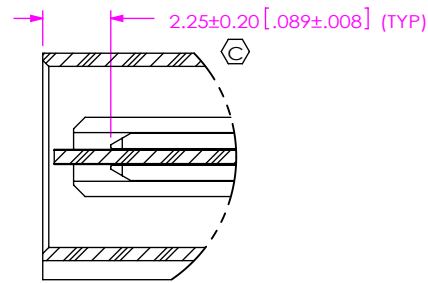
SECTION "G"- "G"
SCALE 2 : 1



SECTION "H"- "H"
SCALE 2 : 1



DETAIL "G"
SCALE 4 : 1



DETAIL "H"
SCALE 4 : 1

PROPRIETARY NOTE
THIS DOCUMENT CONTAINS CONFIDENTIAL AND PROPRIETARY INFORMATION AND ALL DESIGN, MANUFACTURING, REPRODUCTION, USE, PATENT RIGHTS AND SALES RIGHTS ARE EXPRESSLY RESERVED BY SAMTEC, INC. THIS DOCUMENT SHALL NOT BE DISCLOSED, IN WHOLE OR PART, TO ANY UNAUTHORIZED PERSON OR ENTITY NOR REPRODUCED, TRANSFERRED OR INCORPORATED IN ANY OTHER PRODUCT IN ANY MANNER WITHOUT THE EXPRESS WRITTEN CONSENT OF SAMTEC, INC.

DO NOT SCALE DRAWING

SHEET SCALE: 3:1



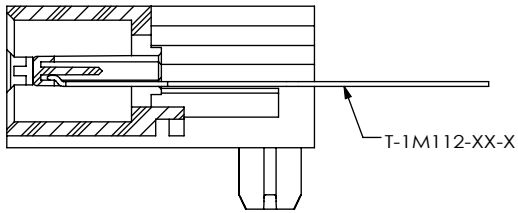
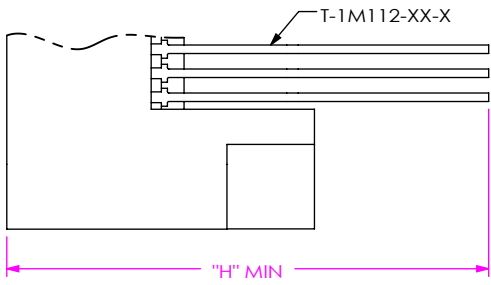
520 PARK EAST BLVD, NEW ALBANY, IN 47150
PHONE: 812-944-6733 FAX: 812-948-5047
e-Mail info@SAMTEC.com code 55322

DESCRIPTION: LPHT-RA TERMINAL ASSEMBLY

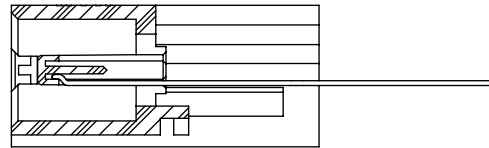
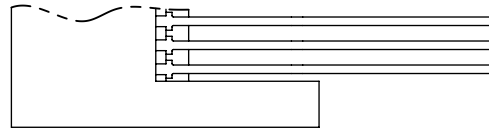
DWG. NO. LPHT-XX-XX-X-RTX-XX

BY: ROY LUO 11/28/2011 SHEET 3 OF 8

REVISION D



GP OPTION

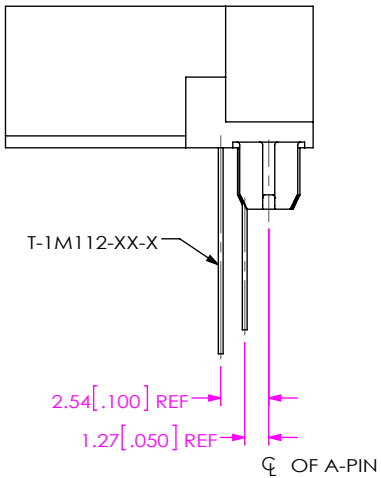


NO GP OPTION
(DIFFERENT AS SHOWN, OTHERWISE SAME AS GP OPTION)

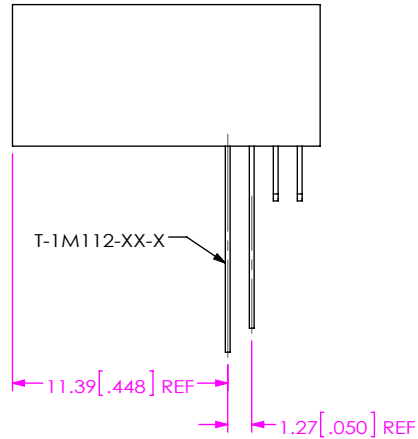
TABLE 5

TAIL	"H"
-RT1	19.93 [.785]
-RT2	20.63 [.812]

IN-PROCESS 3
CUT OFF CARRIER

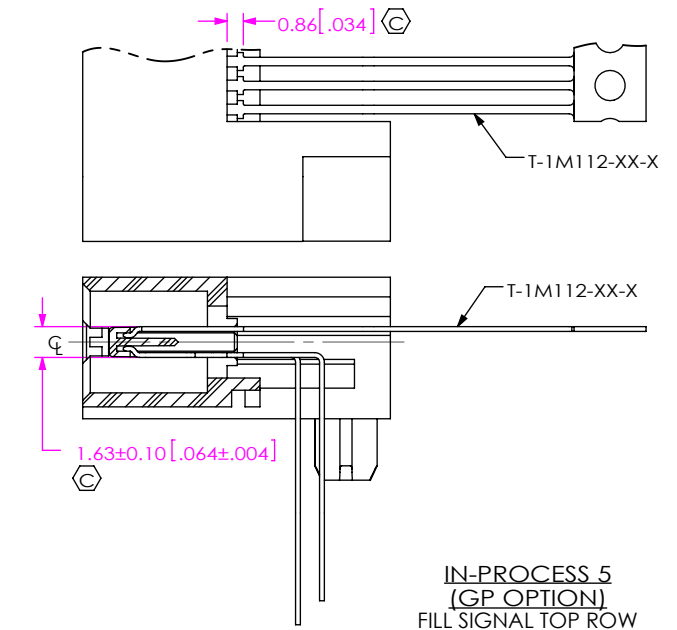


GP OPTION

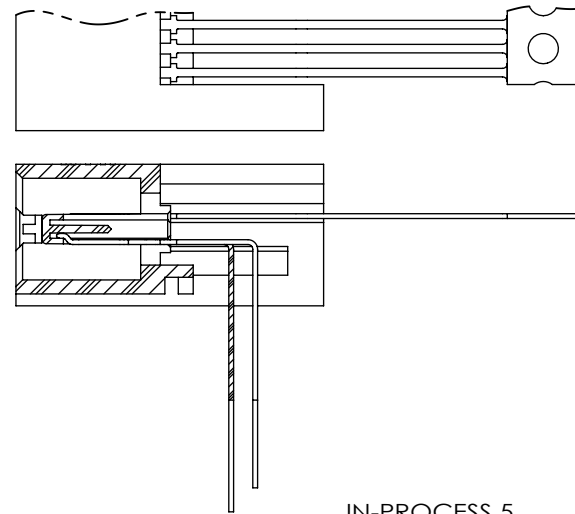


NO GP OPTION
(DIFFERENT AS SHOWN, OTHERWISE SAME AS GP OPTION)


IN-PROCESS 4
FORM SIGNAL BOTTOM ROW

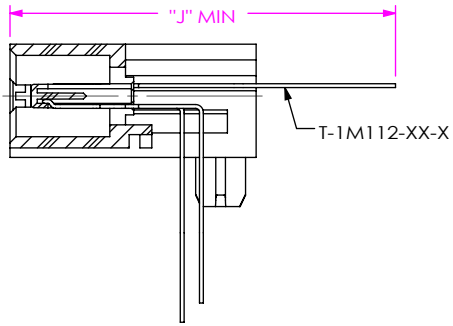


IN-PROCESS 5
(GP OPTION)
FILL SIGNAL TOP ROW

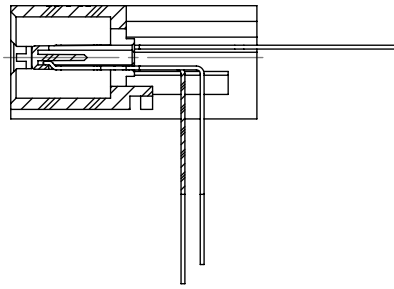


IN-PROCESS 5
(NO GP OPTION)
(DIFFERENT AS SHOWN, OTHERWISE SAME AS GP OPTION)
FILL SIGNAL TOP ROW

<p>PROPRIETARY NOTE</p> <p>THIS DOCUMENT CONTAINS CONFIDENTIAL AND PROPRIETARY INFORMATION AND ALL DESIGN, MANUFACTURING, REPRODUCTION, USE, PATENT RIGHTS AND SALES RIGHTS ARE EXPRESSLY RESERVED BY SAMTEC, INC. THIS DOCUMENT SHALL NOT BE DISCLOSED, IN WHOLE OR PART, TO ANY UNAUTHORIZED PERSON OR ENTITY NOR REPRODUCED, TRANSFERRED OR INCORPORATED IN ANY OTHER PROJECT IN ANY MANNER WITHOUT THE EXPRESS WRITTEN CONSENT OF SAMTEC, INC.</p>	 <p>520 PARK EAST BLVD, NEW ALBANY, IN 47150 PHONE: 812-944-6733 FAX: 812-948-5047 e-Mail info@SAMTEC.com code 55322</p>	
	<p>DO NOT SCALE DRAWING</p> <p>SHEET SCALE: 3:1</p>	<p>DESCRIPTION: LPHT-RA TERMINAL ASSEMBLY</p> <p>DWG. NO. LPHT-XX-XX-X-RTX-XX</p>



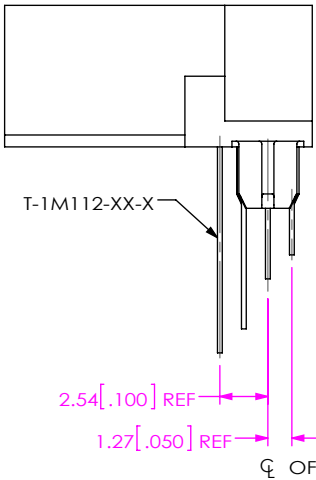
GP OPTION



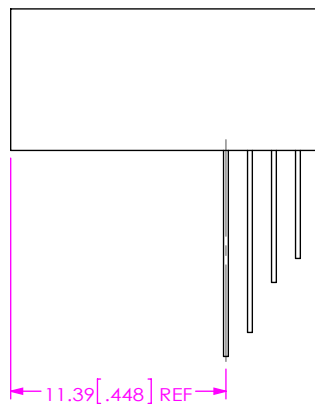
NO GP OPTION
(DIFFERENT AS SHOWN, OTHERWISE SAME AS GP OPTION)

IN-PROCESS 6
CUT OFF CARRIER

TABLE 6	
TAIL	"J"
-RT1	23.85 [.939]
-RT2	24.55 [.967]

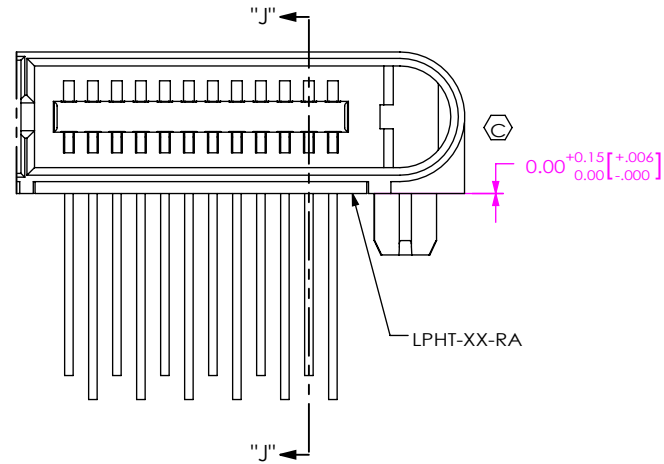


GP OPTION

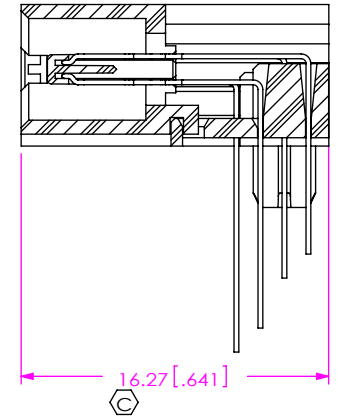


NO GP OPTION
(DIFFERENT AS SHOWN, OTHERWISE SAME AS GP OPTION)

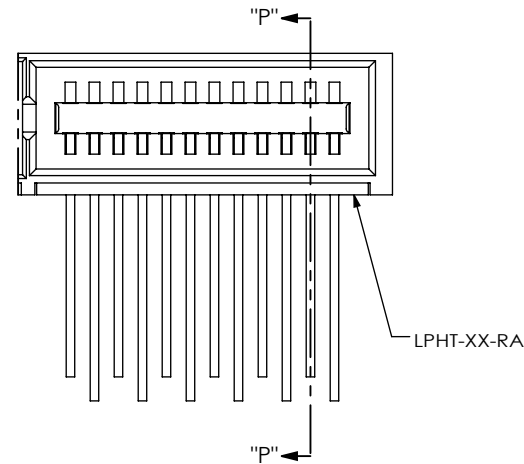
IN-PROCESS 7
FORM SIGNAL TOP ROW



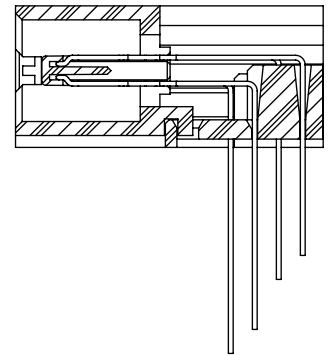
IN-PROCESS 8
(GP OPTION)
FILL LPHT-XX-RA



SECTION "J"-"J"
SCALE 2.5 : 1



IN-PROCESS 8
(NO GP OPTION)
(DIFFERENT AS SHOWN, OTHERWISE SAME AS GP OPTION)
FILL LPHT-XX-RA



SECTION "P"-"P"
SCALE 2.5 : 1

PROPRIETARY NOTE
THIS DOCUMENT CONTAINS CONFIDENTIAL AND PROPRIETARY INFORMATION AND ALL DESIGN, MANUFACTURING, REPRODUCTION, USE, PATENT RIGHTS AND SALES RIGHTS ARE EXPRESSLY RESERVED BY SAMTEC, INC. THIS DOCUMENT SHALL NOT BE DISCLOSED, IN WHOLE OR PART, TO ANY UNAUTHORIZED PERSON OR ENTITY NOR REPRODUCED, TRANSFERRED OR INCORPORATED IN ANY OTHER PROJECT IN ANY MANNER WITHOUT THE EXPRESS WRITTEN CONSENT OF SAMTEC, INC.

DO NOT SCALE DRAWING

SHEET SCALE: 3:1



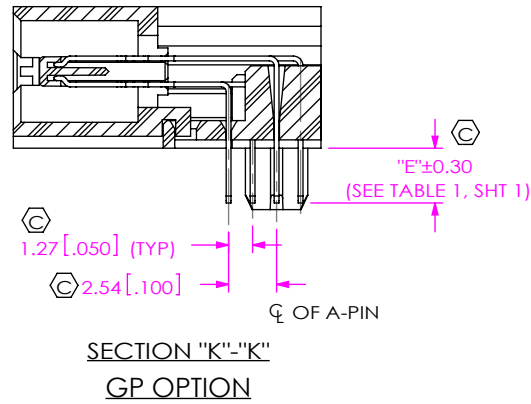
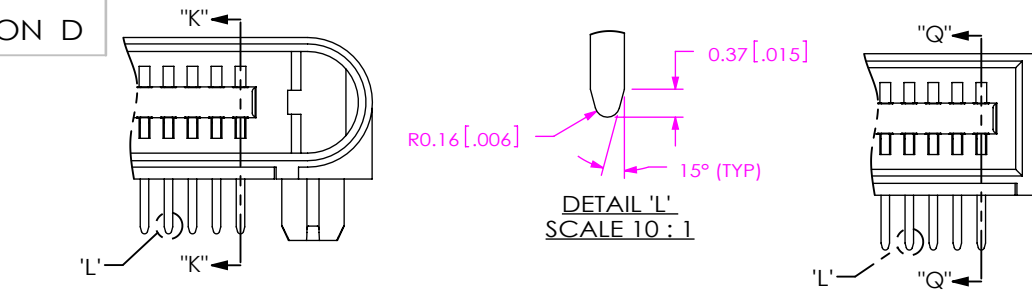
520 PARK EAST BLVD, NEW ALBANY, IN 47150
PHONE: 812-944-6733 FAX: 812-948-5047
e-Mail info@SAMTEC.com code 55322

DESCRIPTION: LPHT-RA TERMINAL ASSEMBLY

DWG. NO. LPHT-XX-XX-X-RTX-XX

BY: ROY LUO 11/28/2011 SHEET 5 OF 8

REVISION D



DETAIL "L"
SCALE 10 : 1

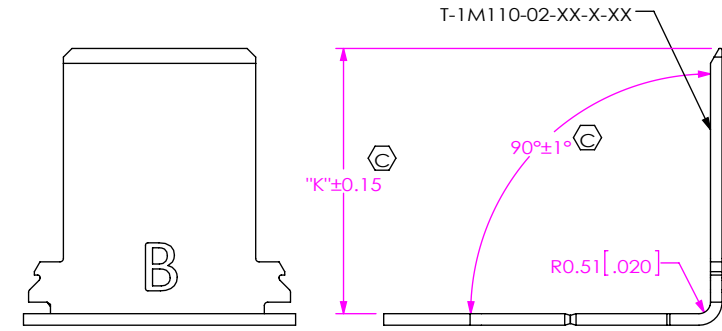
SECTION "Q"-"Q"

NO GP OPTION
(DIFFERENT AS SHOWN, OTHERWISE SAME AS GP OPTION)

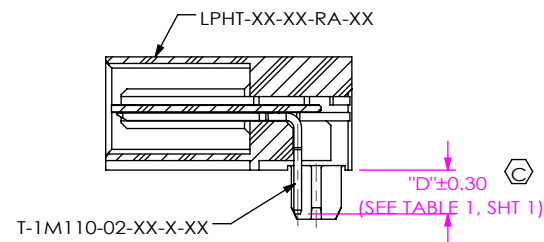
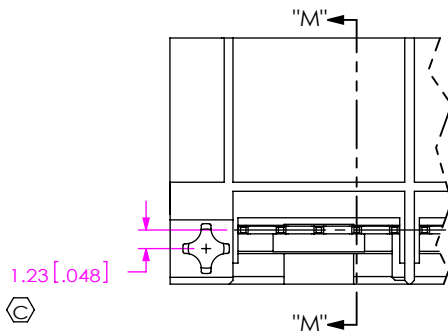
IN-PROCESS 9
SHEAR TAIL & COIN PIN

TABLE 7		
OPTION	"K"	"L"
N/A	11.70 [.461]	14.20 [.559]
*-HS	10.20 [.402]	12.70 [.500]

(* = NOT TOOLED)



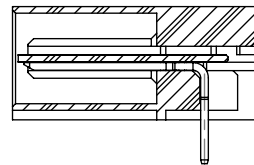
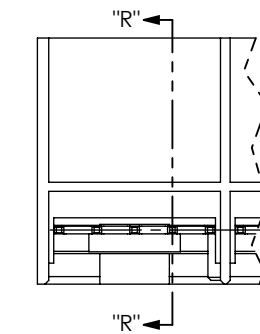
IN-PROCESS 10
(FORM T-1M110-02-XX-X-XX)



SECTION "M"-"M"
SCALE 2 : 1

GP OPTION

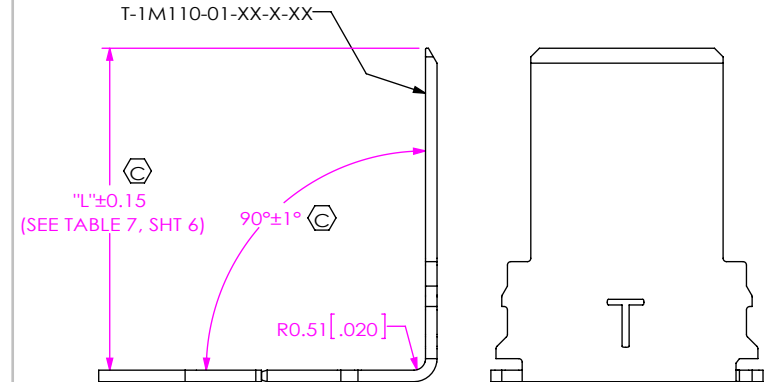
IN-PROCESS 11
(FILL POWER BOTTOM ROW)



SECTION "R"-"R"
SCALE 2 : 1

NO GP OPTION

(DIFFERENT AS SHOWN, OTHERWISE SAME AS GP OPTION)



IN-PROCESS 12
(FORM T-1M110-01-XX-X-XX)

PROPRIETARY NOTE
THIS DOCUMENT CONTAINS CONFIDENTIAL AND PROPRIETARY INFORMATION AND ALL DESIGN, MANUFACTURING, REPRODUCTION, USE, PATENT RIGHTS AND SALES RIGHTS ARE EXPRESSLY RESERVED BY SAMTEC, INC. THIS DOCUMENT SHALL NOT BE DISCLOSED, IN WHOLE OR PART, TO ANY UNAUTHORIZED PERSON OR ENTITY NOR REPRODUCED, TRANSFERRED OR INCORPORATED IN ANY OTHER PROJECT IN ANY MANNER WITHOUT THE EXPRESS WRITTEN CONSENT OF SAMTEC, INC.

samtec

520 PARK EAST BLVD, NEW ALBANY, IN 47150
PHONE: 812-944-6733 FAX: 812-948-5047
e-Mail info@SAMTEC.com code 55322

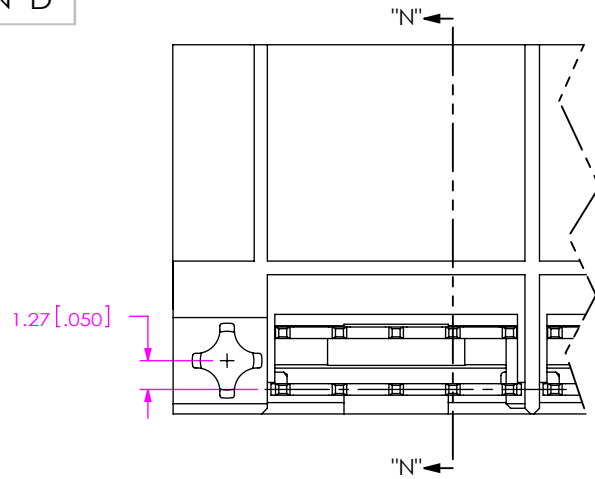
DO NOT SCALE DRAWING

SHEET SCALE: 1:1

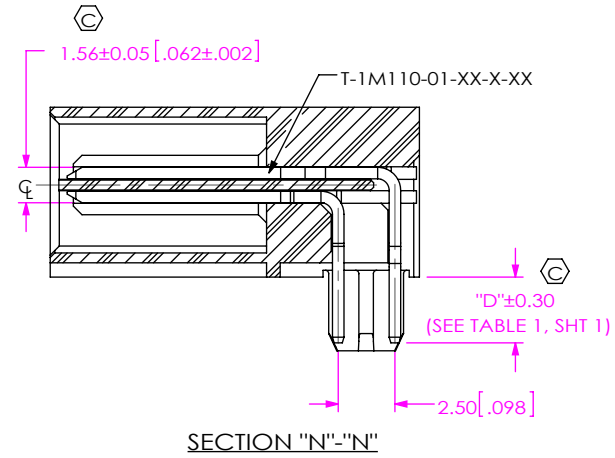
DESCRIPTION:
LPHT-RA TERMINAL ASSEMBLY

DWG. NO.
LPHT-XX-XX-X-RTX-XX

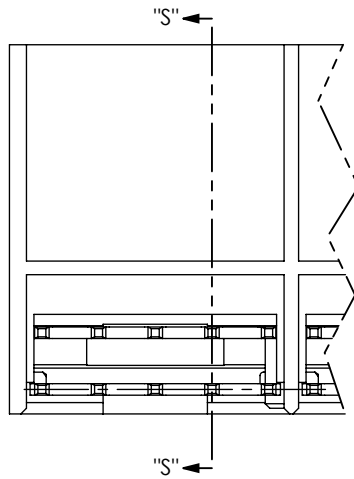
BY: ROY LUO 11/28/2011 SHEET 6 OF 8



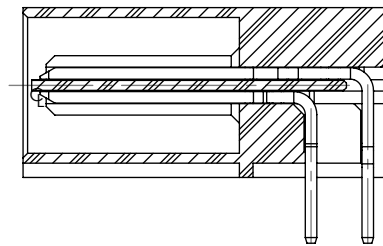
IN-PROCESS 13
(GP OPTION)
(FILL POWER TOP ROW)



SECTION "N"-"N"



IN-PROCESS 13
(NO GP OPTION)
(FILL POWER TOP ROW)



SECTION "S"-"S"

F:\dwg\misc\mktg\LPHT-XX-XX-X-RTX-XX-MKT.SLDDRW

PROPRIETARY NOTE
THIS DOCUMENT CONTAINS CONFIDENTIAL AND PROPRIETARY INFORMATION AND ALL DESIGN, MANUFACTURING, REPRODUCTION, USE, PATENT RIGHTS AND SALES RIGHTS ARE EXPRESSLY RESERVED BY SAMTEC, INC. THIS DOCUMENT SHALL NOT BE DISCLOSED, IN WHOLE OR PART, TO ANY UNAUTHORIZED PERSON OR ENTITY NOR REPRODUCED, TRANSFERRED OR INCORPORATED IN ANY OTHER PROJECT IN ANY MANNER WITHOUT THE EXPRESS WRITTEN CONSENT OF SAMTEC, INC.

DO NOT SCALE DRAWING

SHEET SCALE: 3:1



520 PARK EAST BLVD, NEW ALBANY, IN 47150
PHONE: 812-944-6733 FAX: 812-948-5047
e-Mail info@SAMTEC.com code 55322

DESCRIPTION: LPHT-RA TERMINAL ASSEMBLY

DWG. NO. LPHT-XX-XX-X-RTX-XX

BY: ROY LUO 11/28/2011 SHEET 7 OF 8

TABLE 2 SIGNAL/POWER COMBO -A-GP

SIGNAL POS	02 POWER POS			04 POWER POS			06 POWER POS			08 POWER POS		
	"A"	"B"	"C"	"A"	"B"	"C"	"A"	"B"	"C"	"A"	"B"	"C"
* 12	31.43 [1.237]	24.09 [0.948]	25.92 [1.020]	43.43 [1.710]	36.09 [1.421]	37.92 [1.493]	55.43 [2.182]	48.09 [1.893]	49.92 [1.965]	67.43 [2.655]	60.09 [2.366]	61.92 [2.438]
16	33.97 [1.337]	26.63 [1.048]	28.46 [1.120]	45.97 [1.810]	38.63 [1.521]	40.46 [1.593]	57.97 [2.282]	50.63 [1.993]	52.46 [2.065]	69.97 [2.755]	62.63 [2.466]	64.46 [2.538]
20	36.51 [1.437]	29.17 [1.148]	31.00 [1.220]	48.51 [1.910]	41.17 [1.621]	43.00 [1.693]	60.51 [2.382]	53.17 [2.093]	55.00 [2.165]	72.51 [2.855]	65.17 [2.566]	67.00 [2.638]
24	39.05 [1.537]	31.71 [1.248]	33.54 [1.320]	51.05 [2.010]	43.71 [1.721]	45.54 [1.793]	63.05 [2.482]	55.71 [2.193]	57.54 [2.265]	75.05 [2.955]	67.71 [2.666]	69.54 [2.738]
28	41.59 [1.637]	34.25 [1.348]	36.08 [1.420]	53.59 [2.110]	46.25 [1.821]	48.08 [1.893]	65.59 [2.582]	58.25 [2.293]	60.08 [2.365]	77.59 [3.055]	70.25 [2.766]	72.08 [2.838]
32	44.13 [1.737]	36.79 [1.448]	38.62 [1.520]	56.13 [2.210]	48.79 [1.921]	50.62 [1.993]	68.13 [2.682]	60.79 [2.393]	62.62 [2.465]	80.13 [3.155]	72.79 [2.866]	74.62 [2.938]
* 36	46.67 [1.837]	39.33 [1.548]	41.16 [1.620]	58.67 [2.310]	51.33 [2.021]	53.16 [2.093]	70.67 [2.782]	63.33 [2.493]	65.16 [2.565]	82.67 [3.255]	75.33 [2.966]	77.16 [3.038]
* 40	49.21 [1.937]	41.87 [1.648]	43.70 [1.720]	61.21 [2.410]	53.87 [2.121]	55.70 [2.193]	73.21 [2.882]	65.87 [2.593]	67.70 [2.665]	85.21 [3.355]	77.87 [3.066]	79.70 [3.138]

(* = NOT TOOLED)

TABLE 2 SIGNAL/POWER COMBO -A-GP CONTINUED

SIGNAL POS	10 POWER POS			*12 POWER POS			*14 POWER		
	"A"	"B"	"C"	"A"	"B"	"C"	"A"	"B"	"C"
* 12	79.43 [3.127]	72.09 [2.838]	73.92 [2.910]	91.43 [3.600]	84.09 [3.311]	85.92 [3.383]	103.43 [4.072]	96.09 [3.783]	97.92 [3.855]
16	81.97 [3.227]	74.63 [2.938]	76.46 [3.010]	93.97 [3.700]	86.63 [3.411]	88.46 [3.483]	105.97 [4.172]	98.63 [3.883]	100.46 [3.955]
20	84.51 [3.327]	77.17 [3.038]	79.00 [3.110]	96.51 [3.800]	89.17 [3.511]	91.00 [3.583]	108.51 [4.272]	101.17 [3.983]	103.00 [4.055]
24	87.05 [3.427]	79.71 [3.138]	81.54 [3.210]	99.05 [3.900]	91.71 [3.611]	93.54 [3.683]	111.05 [4.372]	103.71 [4.083]	105.54 [4.155]
28	89.59 [3.527]	82.25 [3.238]	84.08 [3.310]	101.59 [4.000]	94.25 [3.711]	96.08 [3.783]	113.59 [4.472]	106.25 [4.183]	108.08 [4.255]
32	92.13 [3.627]	84.79 [3.338]	86.62 [3.410]	104.13 [4.100]	96.79 [3.811]	98.62 [3.883]	116.13 [4.572]	108.79 [4.283]	110.62 [4.355]
* 36	94.67 [3.727]	87.33 [3.438]	89.16 [3.510]	106.67 [4.200]	99.33 [3.911]	101.16 [3.983]	118.67 [4.672]	111.33 [4.383]	113.16 [4.455]
* 40	97.21 [3.827]	89.87 [3.538]	91.70 [3.610]	109.21 [4.300]	101.87 [4.011]	103.70 [4.083]	121.21 [4.772]	113.87 [4.483]	115.70 [4.555]

(* = NOT TOOLED)

TABLE 3 SIGNAL/POWER COMBO (NO GP OPTIONS)

SIGNAL POS	02 POWER	04 POWER	06 POWER	08 POWER	10 POWER	*12 POWER	*14 POWER
	"A"	"A"	"A"	"A"	"A"	"A"	"A"
* 12	23.96 [0.943]	35.96 [1.416]	47.96 [1.888]	59.96 [2.361]	71.96 [2.833]	83.96 [3.306]	95.96 [3.778]
16	26.50 [1.043]	38.50 [1.516]	50.50 [1.988]	62.50 [2.461]	74.50 [2.933]	86.50 [3.406]	98.50 [3.878]
20	29.04 [1.143]	41.04 [1.616]	53.04 [2.088]	65.04 [2.561]	77.04 [3.033]	89.04 [3.506]	101.04 [3.978]
24	31.58 [1.243]	43.58 [1.716]	55.58 [2.188]	67.58 [2.661]	79.58 [3.133]	91.58 [3.606]	103.58 [4.078]
28	34.12 [1.343]	46.12 [1.816]	58.12 [2.288]	70.12 [2.761]	82.12 [3.233]	94.12 [3.706]	106.12 [4.178]
32	36.66 [1.443]	48.66 [1.916]	60.66 [2.388]	72.66 [2.861]	84.66 [3.333]	96.66 [3.806]	108.66 [4.278]
* 36	39.20 [1.543]	51.20 [2.016]	63.20 [2.488]	75.20 [2.961]	87.20 [3.433]	99.20 [3.906]	111.20 [4.378]
* 40	41.74 [1.643]	53.74 [2.116]	65.74 [2.588]	77.74 [3.061]	89.74 [3.533]	101.74 [4.006]	113.74 [4.478]

(* = NOT TOOLED)

TABLE 4

SIGNAL POS	"F"	"G"
* 12	6.35 [0.250]	6.35 [0.250]
16	8.89 [0.350]	8.89 [0.350]
20	11.43 [0.450]	11.43 [0.450]
24	13.97 [0.550]	13.97 [0.550]
28	16.51 [0.650]	16.51 [0.650]
32	19.05 [0.750]	19.05 [0.750]
* 36	21.59 [0.850]	21.59 [0.850]
* 40	24.13 [0.950]	24.13 [0.950]

(* = NOT TOOLED)

PROPRIETARY NOTE

THIS DOCUMENT CONTAINS CONFIDENTIAL AND PROPRIETARY INFORMATION AND ALL DESIGN, MANUFACTURING, REPRODUCTION, USE, PATENT RIGHTS AND SALES RIGHTS ARE EXPRESSLY RESERVED BY SAMTEC, INC. THIS DOCUMENT SHALL NOT BE DISCLOSED, IN WHOLE OR PART, TO ANY UNAUTHORIZED PERSON OR ENTITY NOR REPRODUCED, TRANSFERRED OR INCORPORATED IN ANY OTHER PROJECT IN ANY MANNER WITHOUT THE EXPRESS WRITTEN CONSENT OF SAMTEC, INC.

DO NOT SCALE DRAWING

SHEET SCALE: 1:1



520 PARK EAST BLVD, NEW ALBANY, IN 47150
PHONE: 812-944-6733 FAX: 812-948-5047
e-Mail info@SAMTEC.com code 53322

DESCRIPTION: LPHT-RA TERMINAL ASSEMBLY

DWG. NO. LPHT-XX-XX-X-RTX-XX

BY: ROY LUO 11/28/2011 SHEET 8 OF 8