

PH75S110

SPECIFICATION

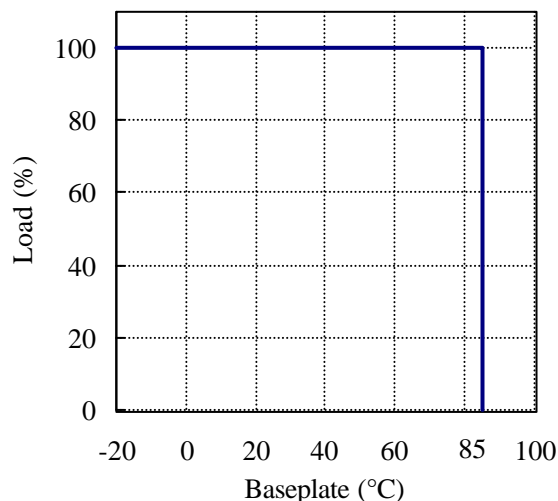
C103-01-01B

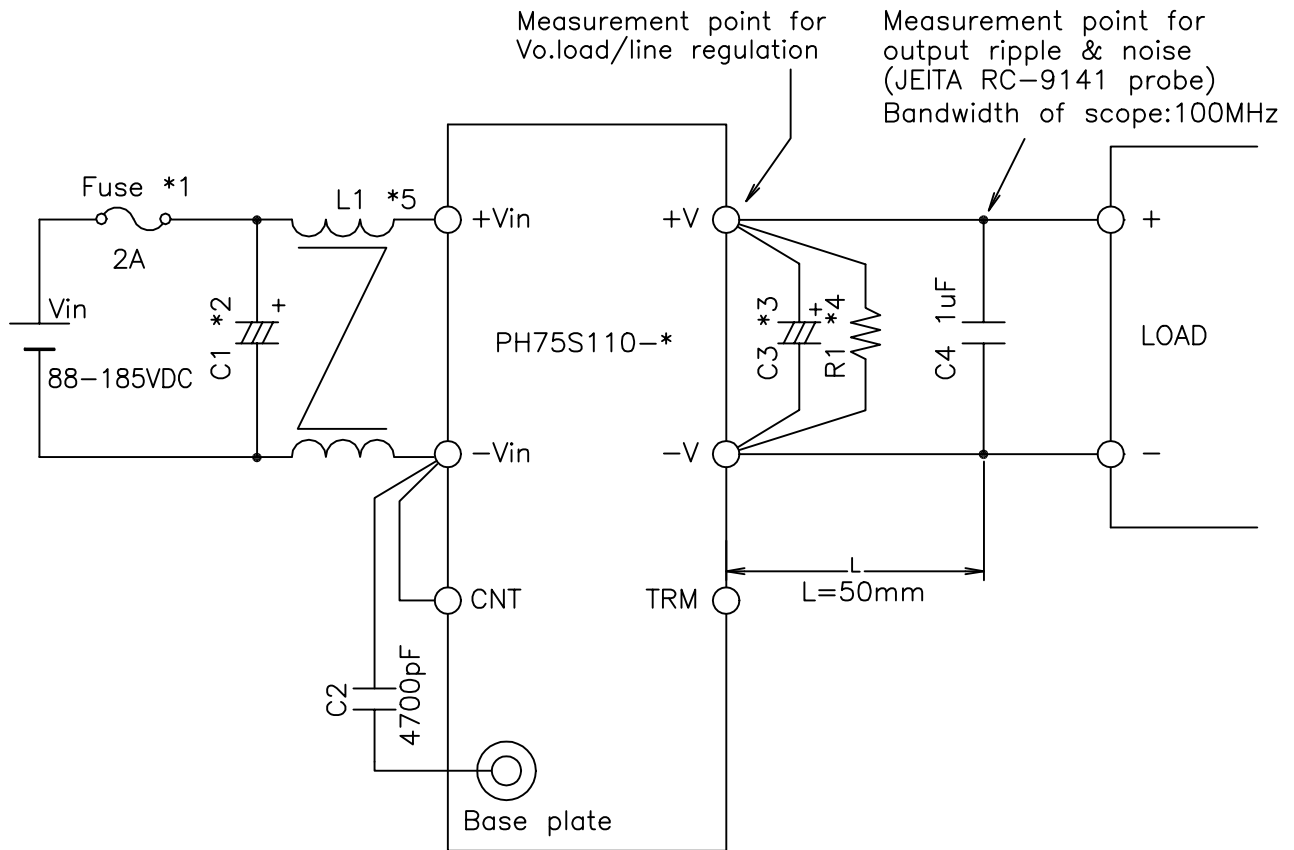
MODEL		PH75S	PH75S	PH75S	PH75S	PH75S		
ITEMS		110-5	110-12	110-15	110-24	110-28		
1	Nominal Output Voltage	V	5	12	15	24	28	
2	Maximum Output Current	A	15	6.3	5	3.2	2.7	
3	Nominal Output Power	W	75	75.6	75	76.8	75.6	
4	Efficiency (Typ.) (*1)	%	81	83	84	85	85	
5	Input Voltage Range	-	82 - 185VDC					
6	Input Current (Typ.) (*1)	A	0.84	0.83	0.81	0.82	0.81	
7	Output Voltage Accu (*1)	%	±1					
8	Output Voltage Rang (*8)	-	+10%, -10% (At 110VDC Input)					
9	Maximum Ripple & l (*9)	mV	100	150	150	240	280	
10	Maximum Line Regul (*2)	mV	20	48	60	96	112	
11	Maximum Load Regu (*3)	mV	40	96	120	192	224	
12	Over Current Protect (*4)	A	105% - 150%					
13	Over Voltage Protecti (*5)	V	125% - 145%					
14	Remote Sensing	-	-					
15	Remote ON/OFF Coi (*8)	-	Possible (SHORT:ON OPEN:OFF)					
16	Parallel Operation	-	-					
17	Series Operation (*8)	-	Possible					
18	Operating Temperatu (*6)	-	-20°C - +85°C(Baseplate) Ambient Temperature min=-20°C					
19	Operating Humidity	-	30 - 95%RH (No Dewdrop)					
20	Storage Temperature	-	-40°C - +85°C					
21	Storage Humidity	-	10 - 95%RH (No Dewdrop)					
22	Cooling (*7)	-	Conduction Cooled					
23	Temperature Coefficient (%)	-	0.02%/°C					
24	Withstand Voltage	-	Input-Baseplate : 2.5kVAC, Input-Output : 3kVAC(20mA) for 1min Output-Baseplate : 500VDC for 1min					
25	Isolation Resistance	-	More than 100MW at 25°C and 70%RH Output-Baseplate...500VDC					
26	Vibration	-	At No Operating, 10-55Hz (Sweep for 1min) Amplitude 0.825mm Constant (Maximum 49.0m/s ²) X,Y,Z 1h each					
27	Shock	-	196.1m/s ² (In package)					
28	Weight (Typ.)	-	100g					
29	Size (WXHxD)	mm	41 X 12.7 X 86 (Refer to Outline Drawing)					

=NOTES=

- *1. At 110VDC and Maximum Output Current.
- *2. 88 - 185VDC, Constant Load.
- *3. No load - Full load, Constant input voltage.
- *4. Constant current limiting with automatic recovery.
- *5. Inverter shutdown method, Manual Reset.
- *6. Ratings - Refer to Derating Curve on the Right.
- Load(%) is Percent of Maximum Output Current.
- *7. Heatsink has to be Chosen According to Instruction Manual.
- *8. Refer to Instruction Manual.
- *9. External Components are Needed for Operation.
(Refer to Basic Connection and Instruction Manual)

DERATING CURVE





==NOTE==

- *1. Use an external fuse of fast blow type, for each unit.
- *2. When the input line impedance is high, insert input capacitor, C1, more than 220uF. (Refer to instruction manual)
- *3. Put an output capacitor. (5V: more than 470uF, 12V: more than 220uF, 15V: more than 220uF, 24V: more than 120uF, 28V: more than 100uF)
- *4. Set the minimum load current (more than 3% of rated current) in order to prevent recurrent output voltage dropout (due to continuous skip cycle) under dynamic load conditions.
- *5. Put an input common mode choke coil, L1, more than 1mH.
- *6. Refer to instruction manual for further details.

(unit : mm)

MODEL NAME	PH75S110
DENSEI-LAMBDA	

C103-01-02B