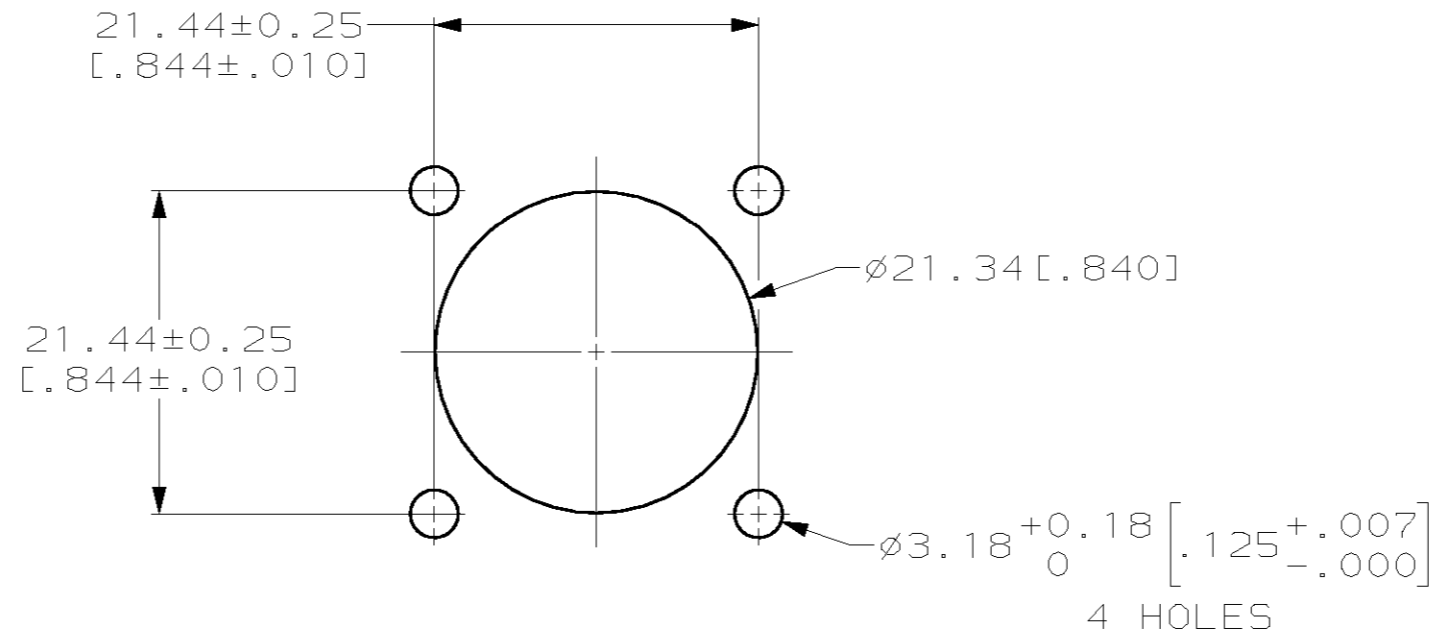
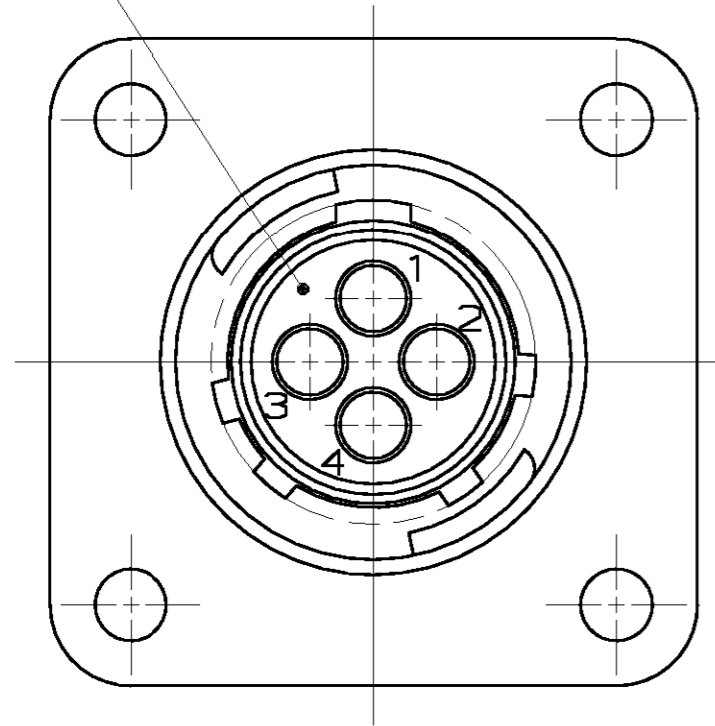


THIS DRAWING IS UNPUBLISHED. RELEASED FOR PUBLICATION .19  
 BY AMP INCORPORATED. ALL RIGHTS RESERVED.

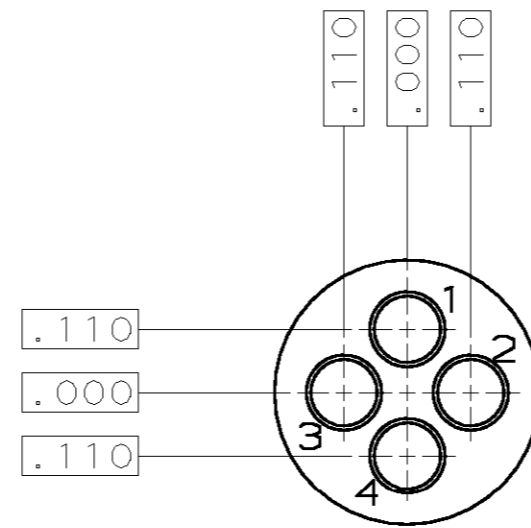
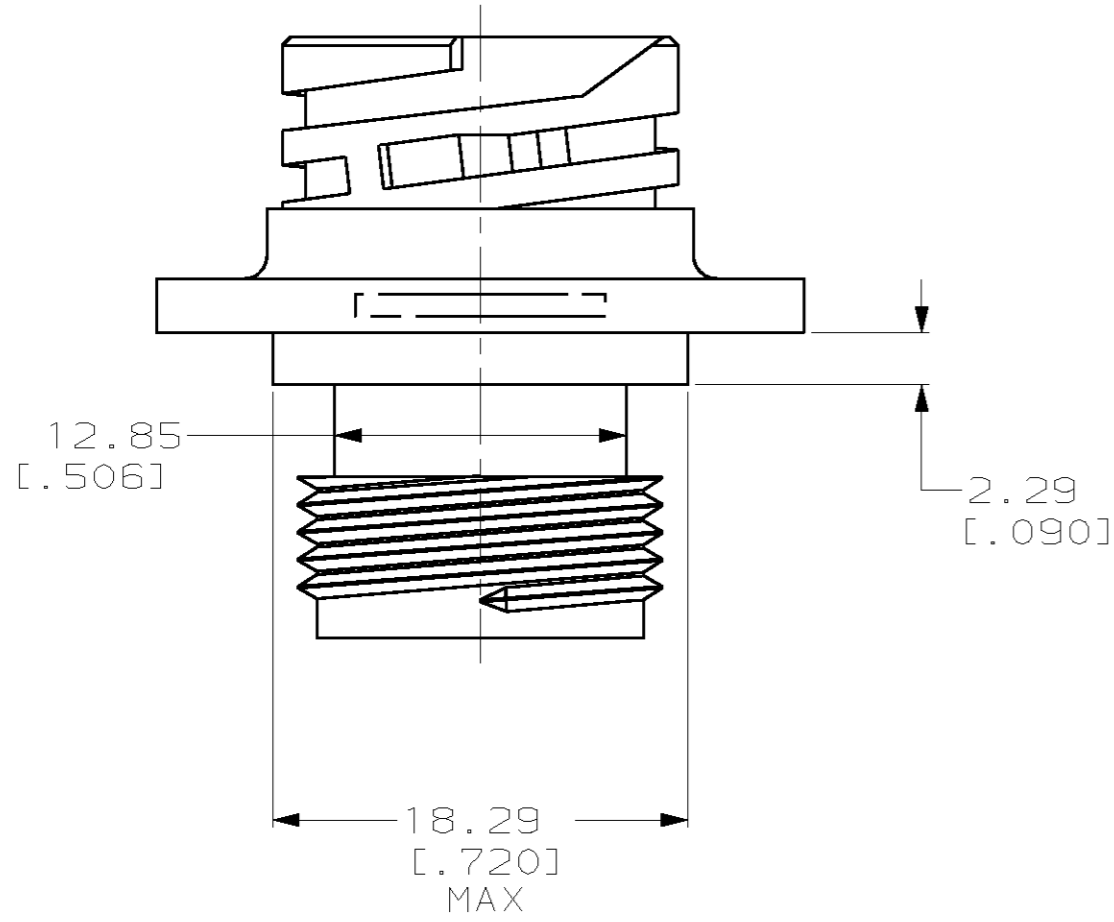
LOC	DIST	REVISIONS					
FT	0	P	LTR	DESCRIPTION	DATE	DWN	APVD
		A		REVISED PER EC 063B-0134-00	21-JUN-00	LM	MC

MATING FACE



RECOMMENDED PANEL CUTOUT  
SCALE: 2:1

- CONTACT CAVITIES IDENTIFIED BY CHARACTERS ON FRONT AND REAR FACES.
- THIS CONNECTOR WILL ACCEPT (4) MULTIMATE SOCKET CONTACTS.



CONFIGURATION OF MATING  
FACE OF CONNECTOR  
[IN INCHES]

211908-1  
PART NUMBER

THIS DRAWING IS A CONTROLLED DOCUMENT.		DWN L. McEACHIN 21-JUN-2000	AMP Incorporated Harrisburg, PA 17105-3608	
DIMENSIONS: mm [INCHES]		CHK M. CHACKO 22-JUN-2000	NAME RECEPTACLE HOUSING, REVERSE SEX, SIZE 11-4, SERIES 1, CLASS A, CPC	
TOLERANCES UNLESS OTHERWISE SPECIFIED: 0 PLC ±- 1 PLC ±- 2 PLC ±0.13 [.005] 3 PLC ±- 4 PLC ±- ANGLES ±- FINISH -		APVD M. CHACKO 22-JUN-2000	SIZE A2	
MATERIAL POLYESTER: GRAY		PRODUCT SPEC -	CAGE CODE 00779	DRAWING NO 211908
		APPLICATION SPEC -	RESTRICTED TO -	
		WEIGHT -	SCALE 3:1	SHEET 1 OF 1
		CUSTOMER DRAWING	REV A	

211908