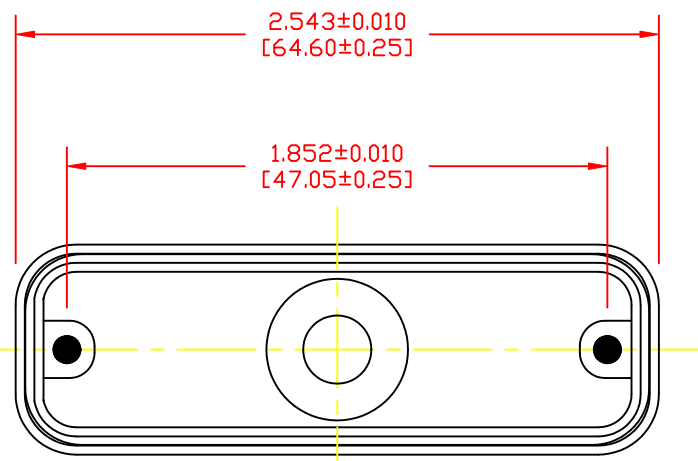


TORQUE SETTING
6.075-9.547 in.lbs
[7-11 kgf.cm]

MATERIAL & FINISH:

- BACKSHELL: ABS - UL HB RATED, BLACK COLOR
- BUSHINGS & BAFFLE: SILICONE
- 4-40 THUMBSCREWS: BRASS, NICKEL PALTED
- TEMPERATURE: -50°C TO 125°C
- CABLE DIAMETER: 0.350 inches [8.89mm] Max.
0.130 inches [3.30mm] Min.



DO NOT SCALE FROM DRAWING

RoHS COMPLIANT

	THESE DRAWINGS AND SPECIFICATIONS ARE THE PROPERTY OF NorComp AND SHALL NOT BE REPRODUCED, COPIED OR USED AS THE BASIS FOR THE MANUFACTURE OF SALE OF APPARATUS WITHOUT WRITTEN PERMISSION.			DRAWN: M. SIGMON	DATE: 12-15-10
				CHECKED:	DATE:
NorComp		SCALE: 2 : 1	SHEET 1	OF 1	REV 4
		DWG NO. 967-025-010R011			