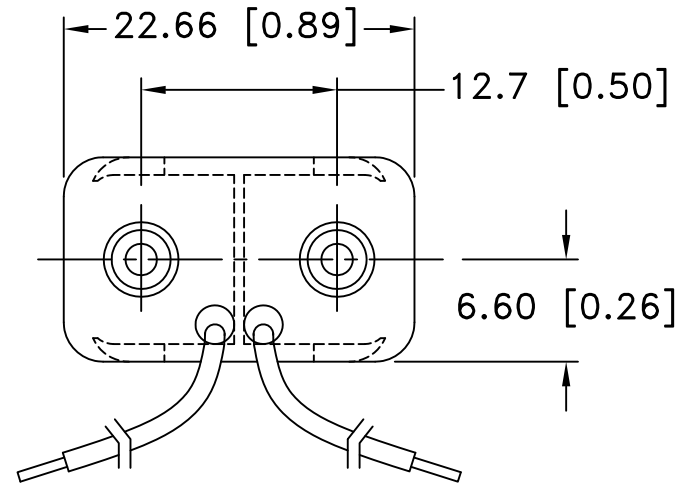
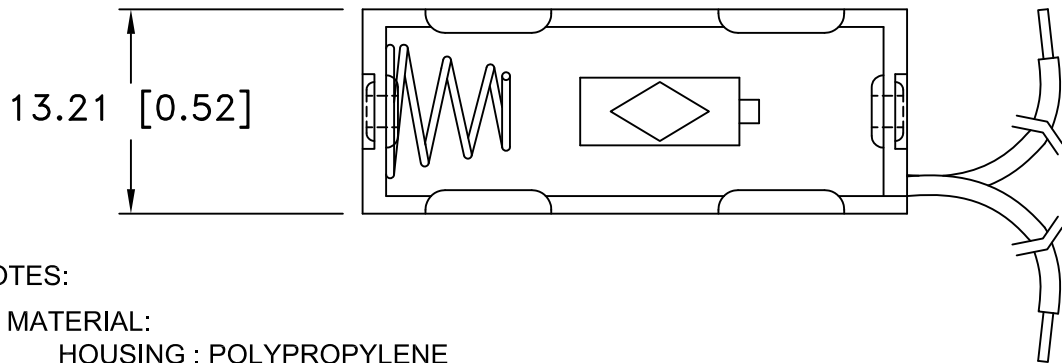
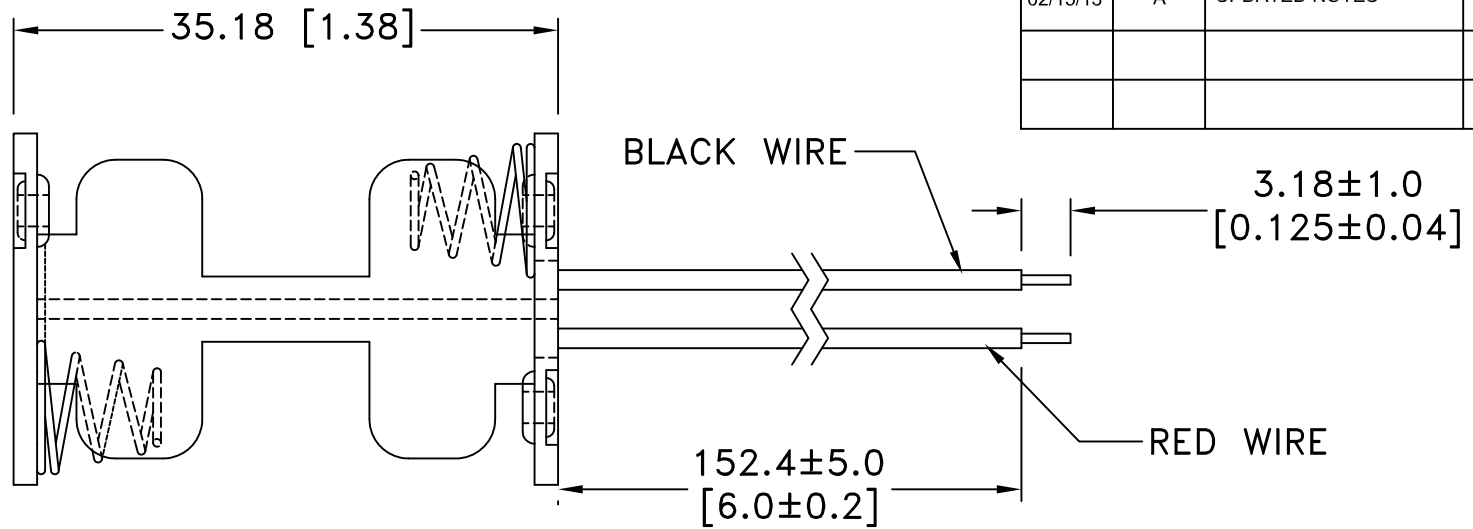


Date	SYM	REVISION RECORD	AUTH	DR.	CK.
02/15/13	A	UPDATED NOTES	T.B.	B.S.	




NOTES:

1. MATERIAL:

- HOUSING : POLYPROPYLENE
- FLAMMABILITY RATING: UL94 HB, UL FILE NO. E216959
- TEMPERATURE RANGE: -10°C TO +100°C
- RIVETS: BRASS, NICKLE PLATED.
- SPRING: SPRING STEEL, NICKLE PLATED.
- PC PINS: STEEL, TIN PLATED
- CONTACT RESISTANCE: UNDER 50m Ω FOR ± CONTACTS PER EIA-540J000
- ROHS COMPLIANT

MOUNTING INSTRUCTION:

- USE 2-56 MACHINE SCREWS OR EYELETS 0.089" OD BY 0.15" FLANGE STIMPSON GS-3 SERIES OR EQUIVALENT.
- ALSO ADHESIVES AND DOUBLE SIDED TAPES WORK WELL.

Tolerance (Except as noted)	 <b>Memory Protection Devices, Inc</b> 200 Broad Hollow Road, Farmingdale, New York 11735		
decimal ±.5 (.020)		Scale	Drawn By B.S.
Fractional ± .8 (.030)	Title TWO "N" CELL HOLDER		
Angular ± 3°	Date 02/15/13	Drawing Number BH12NW	
		Approved By T.B.	