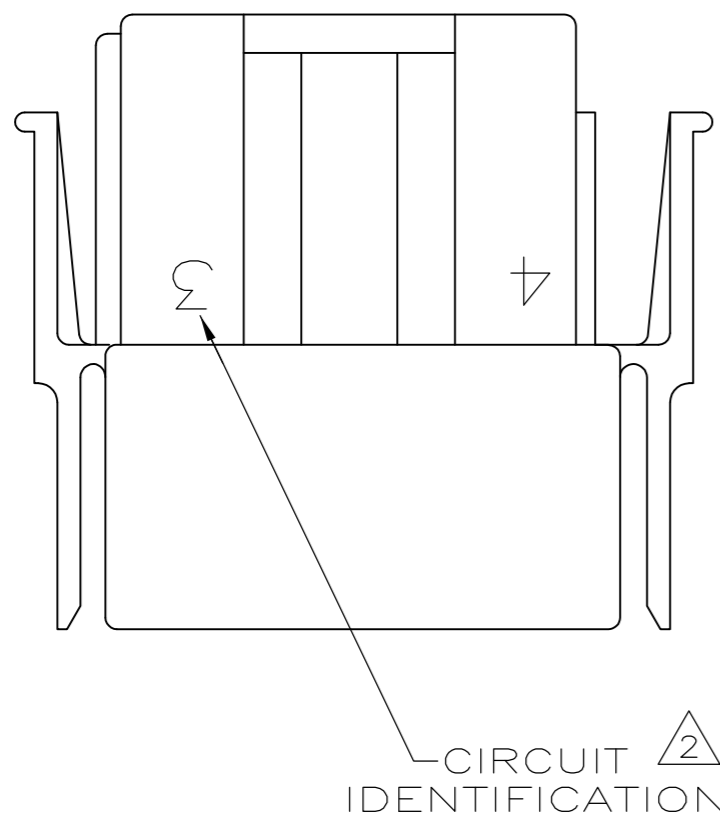
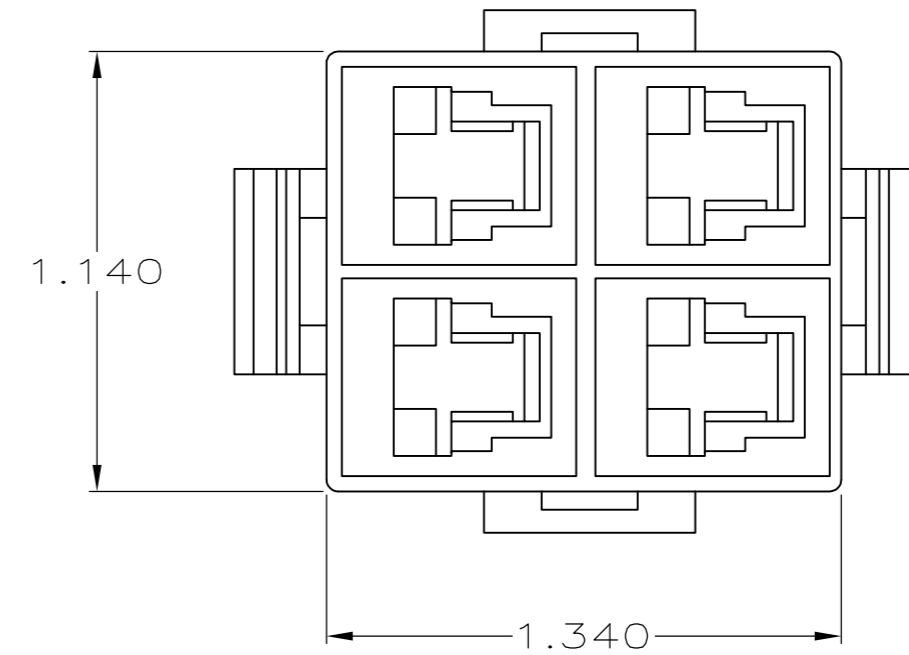
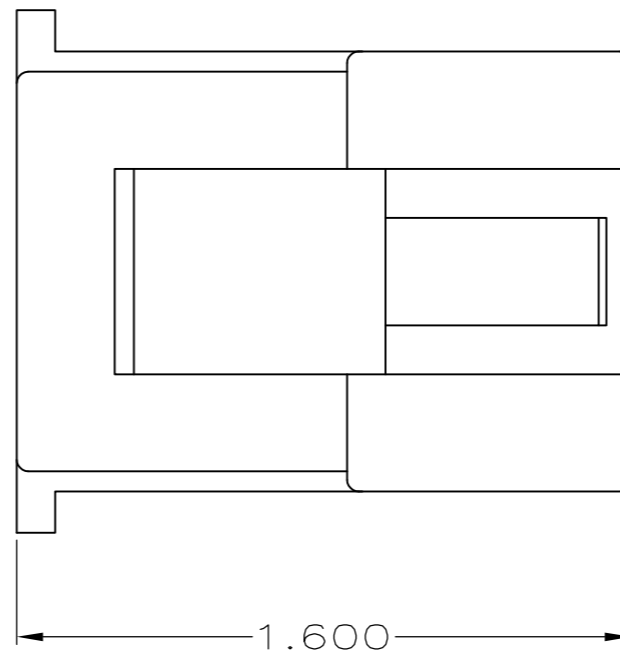
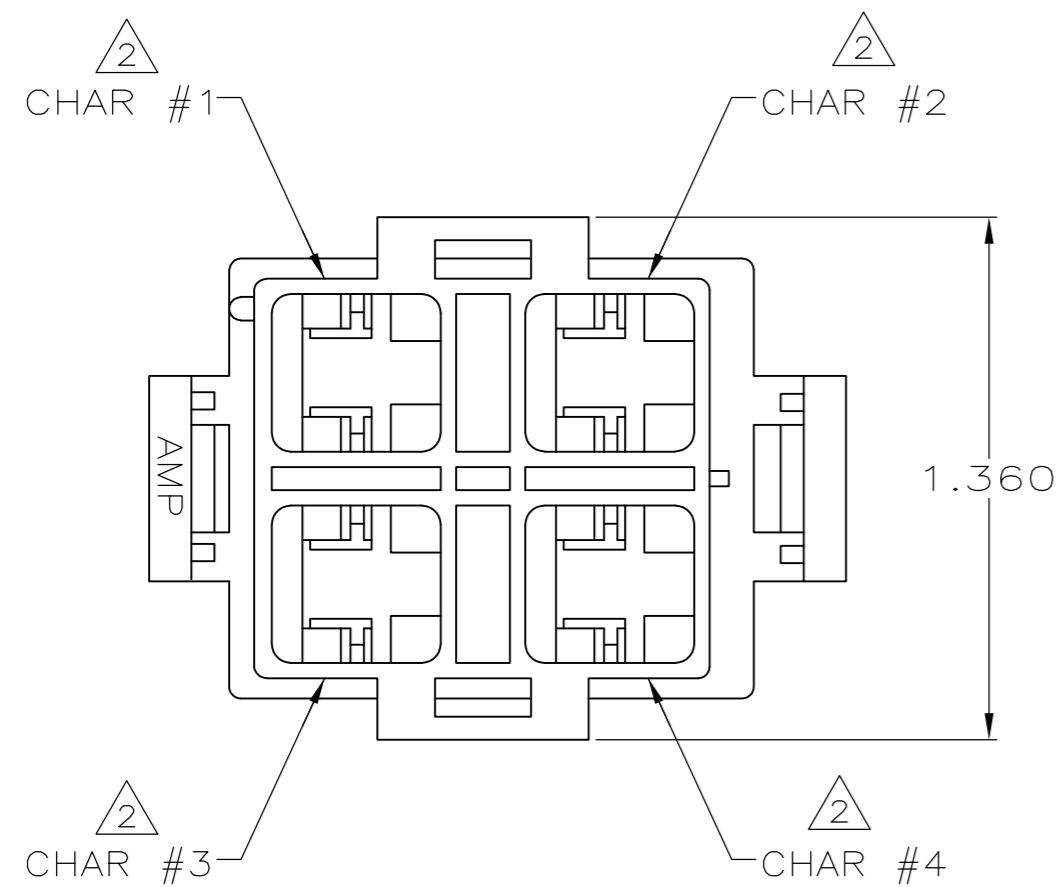


THIS DRAWING IS UNPUBLISHED. RELEASED FOR PUBLICATION  
 © COPYRIGHT - By - ALL RIGHTS RESERVED.

LOC		DIST		REVISIONS			
P	LTR	DESCRIPTION		DATE	DWN	APVD	
CM	0	N2	REVISED PER ECO-11-005027		11MAR11	RK	HMR



- 1. ACCEPTS TERMINALS 350650 AND 350651.
- ② CHARACTERS 3 AND 4 MARKED ON NEAR SURFACE AS SHOWN, CHARACTERS 1 AND 2 MARKED ON OPPOSITE SIDE.
- ③ NYLON, 94V-0 RATED, BRICK RED.
- ④ NYLON, 94V-2 RATED, BLACK.
- ⑤ OBSOLETE PARTS: OBSOLETE CIS STREAMLINING PER D.RENAUD/D.SINISI

⑤ OBSOLETE	②	④	643267-3
	②	③	643267-1
	CIRCUIT IDENTIFICATION	MAT'L	PART NUMBER

THIS DRAWING IS A CONTROLLED DOCUMENT.		DWN	R.SHIREY	05/15/91	<b>TE</b> TE Connectivity		
DIMENSIONS: mm		CHK	R.STONE	5-22-91			
TOLERANCES UNLESS OTHERWISE SPECIFIED:		APVD	R.WALTER	5-22-91	NAME		
0 PLC ± -		PRODUCT SPEC		CAP, HIGH CURRENT, 4 CIRCUIT			
1 PLC ± -		APPLICATION SPEC		-			
2 PLC ± -		WEIGHT		-			
3 PLC ± .015		SIZE		A2	CAGE CODE	DRAWING NO	RESTRICTED TO
4 PLC ± -		MATERIAL		-			
ANGLES ± -		FINISH		-			
SEE TABLE		CUSTOMER DRAWING		SCALE	2:1	SHEET	1 OF 1
				REV	N2		