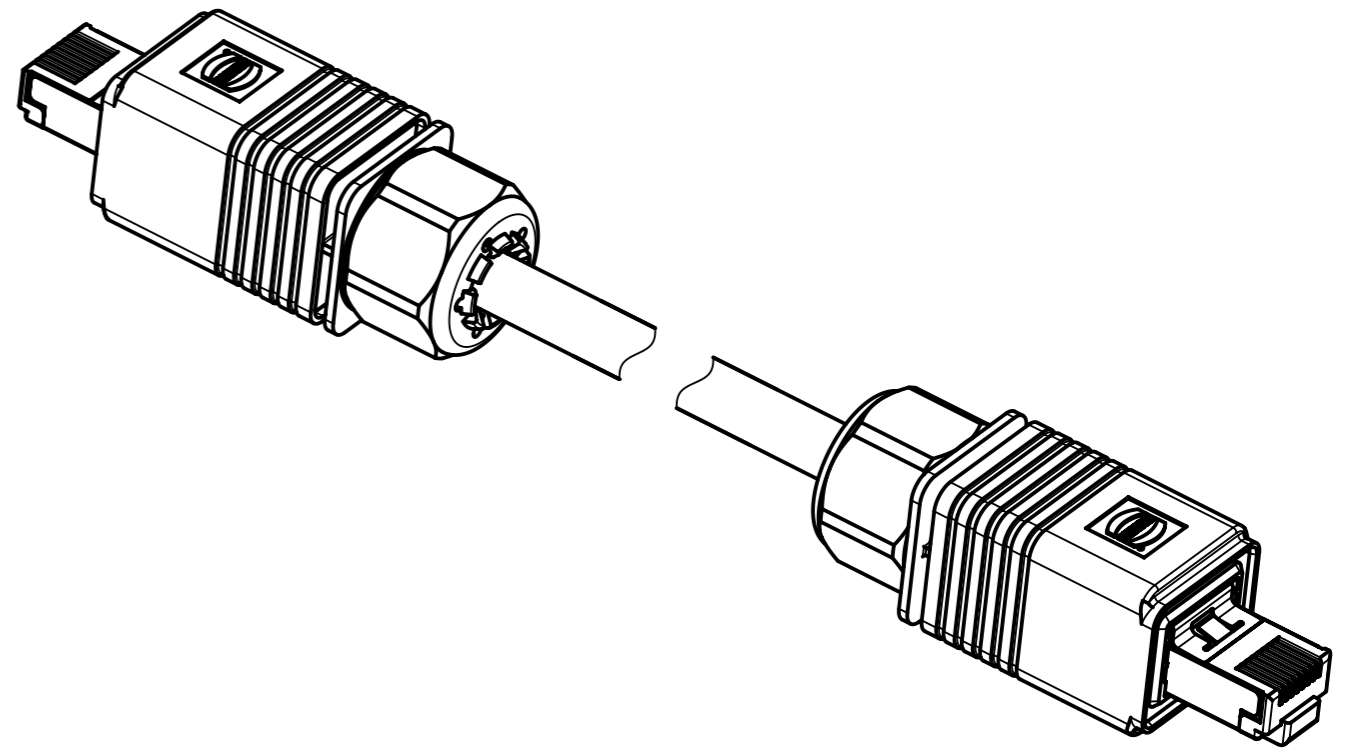
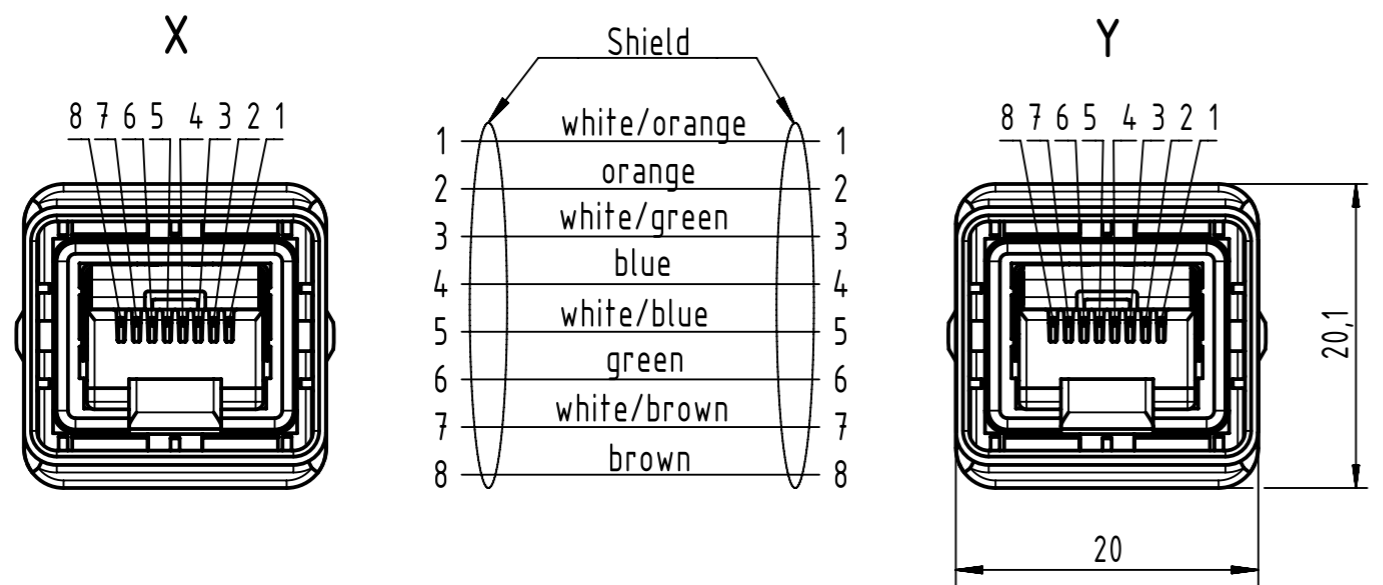


Loading-Plan  
acc. to TIA/EIA 568B



- Protection level: IP65/67  
- Temperature range: -20°C ... +70°C

	All Dimensions in mm Original Size DIN A3		Scale 2:1	Free size tol.		Ref.
	All rights reserved Department EC PD - RO		Created by MUNTEANV	Inspected by AVRAM	Standardisation HOFFMANN	Date 2016-03-04
HARTING Electronics GmbH D-32339 Espelkamp		Title RJ Industrial Cable Assembly			Doc-Key / ECM-Nr. 100103494/UGD/022/F 500000101155	
		Type TB	Number 094574XXXXX		Rev. F	Page 1/2

1	2	3	4	5	6	7	8	
A								A
B								B
C								C
D								D
E								E
F								F
1	2	3	4	5	6	7	8	

31	09457441537	RJ45 Ethernet Stranded Cable AWG 26/7, 4x2x0.5/1.0, Cat. 6A, PUR, yellow	6.7±0.3	35
30	09457441535			25
29	09457441534			20
28	09457441533			15
27	09457441532			10
26	09457441531			9
25	09457441530			8
24	09457441529			7
23	09457441528			6
22	09457441527			5
21	09457441526			4
20	09457441525			3
19	09457441524			2
18	09457441523			1.5
17	09457441522			1
16	09457441521			0.5
15	09457451536			RJ45 Ethernet Stranded Cable AWG 26/7, 4x2x0.5/1.0, Cat. 6A, PVC, yellow
14	09457451535	35		
13	09457451534	25		
12	09457451553	20		
11	09457451552	15		
10	09457451551	10		
9	09457451529	7		
8	09457451527	5		
7	09457451526	4		
6	09457451525	3		
5	09457451524	2		
4	09457451523	1.5		
3	09457451533	0.7		
2	09457451521	0.5		
1	09457451532	0.25		
<b>Cont. no.</b>	<b>Part-no.</b>	<b>Type of cable</b>	<b>Dim. d [mm]</b>	<b>Dim. a[m]</b>

	All Dimensions in mm Original Size DIN A3	Scale 1:1	Free size tol.	Ref. Sub.
	All rights reserved Department EC PD - RO	Created by MUNTEANV	Inspected by AVRAM	Standardisation HOFFMANN
		Date 2016-03-04	State Final Release	
HARTING Electronics GmbH D-32339 Espelkamp	Title RJ Industrial Cable Assembly		Doc-Key / ECM-Nr. 100103494/UGD/022/F 500000101155	
	Type TB	Number 094574XXXXX	Rev. F	Page 2/2