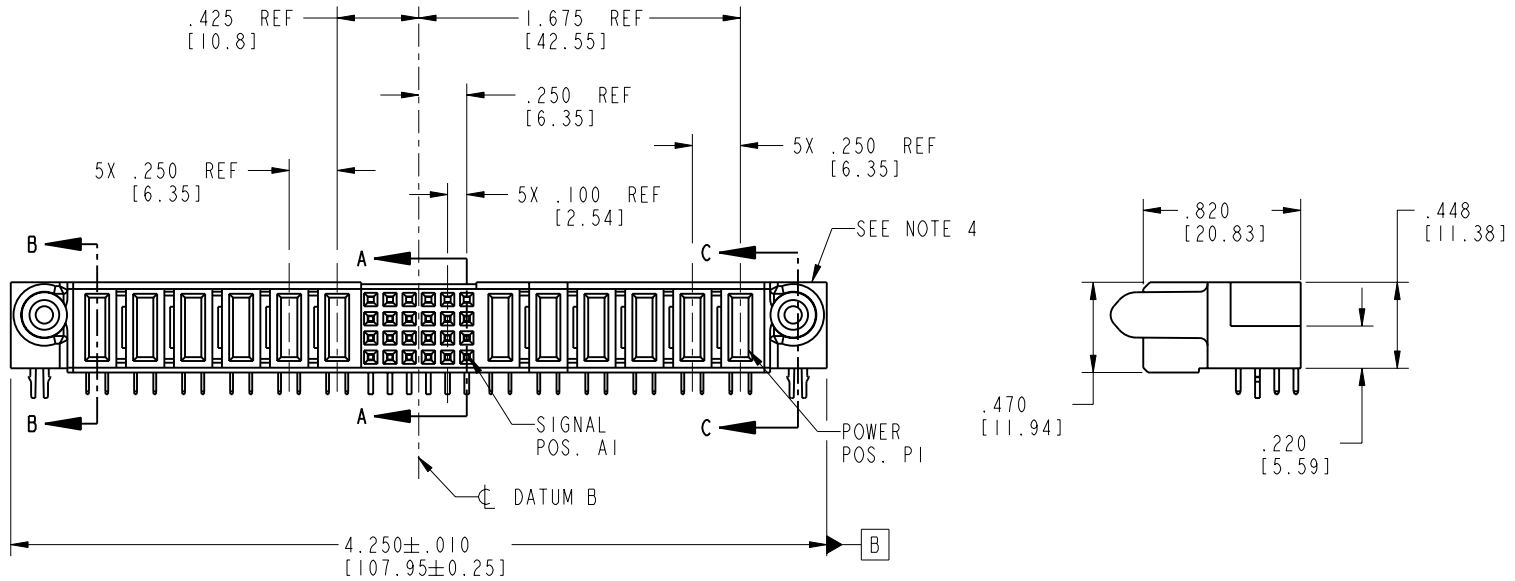


Tous droits strictement réservés. Reproduction ou communication o des liers interdité sous quelque forme que ce soit sans autorisation écrite du propriétaire. Propriété de c FCI. Droits de reproduction FCI.

All rights strictly reserved. Reproduction or issue to third parties in any form whomever is not permitted without written authority from the proprietor. Property of FCI. Copyright FCI.

PRODUCT NO.	ROWS	POWER						SIGNAL					POWER								
		E2	P12	P11	P10	P9	P8	P7	6	5	4	3	2	1	P6	P5	P4	P3	P2	P1	E1
51770-011-- NOTE: 3	D C B A		PC	PC	PC	PC	PC	PC	H	H	H	H	H	H	PC	PA	PC	PC	PC	PC	



CODE	DIM "M" MATING LENGTH	CONTACT TYPE
E	N/A [N/A]	SIGNAL
F	N/A [N/A]	SIGNAL
G	N/A [N/A]	SIGNAL
H	N/A [N/A]	SIGNAL
PA	.042 [1.07]	POWER
PC	.092 [2.34]	POWER
HA	N/A [N/A]	HOLD-DOWN

mat'l code SEE NOTE 2				tolerances unless otherwise specified				CUSTOMER		FCI www.fciconnect.com
ltr	ecn no.	dr	date	linear angles dr engr chr appd	.XX±.01/0.X±0.3	COPY		INCH/MM		
A	V03-0408	TAB	04/14/03		.XXX±.005/0.XX±0.13	projection				
B	V03-0641	MEM	6/3/03		.XXX±.0020/0.XXX±0.051	scale				
C	DG05-0530	GuoJM	12/08/05		0°±2°	1:1				
sheet index				revision sheet				T. BRUNGARD 04/14/03		product family PwrBlade code 213
1				2				M. MOSTOLLER 04/14/03		
3				4				M. MOSTOLLER 04/14/03		size 51770-011
4										

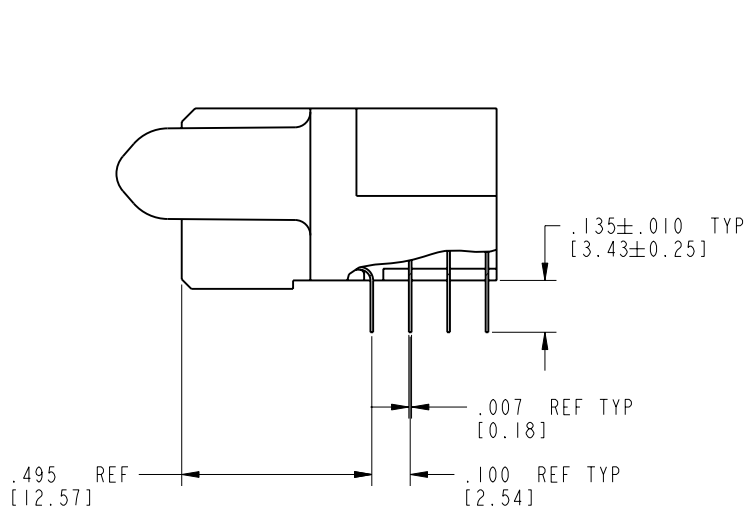
Tous droits strictement réservés. Reproduction ou communication o des liens interdite sous quelque forme que ce soit sans autorisation écrite du propriétaire. Propriété de c FCI. Droits de reproduction FCI.

A **FCI**

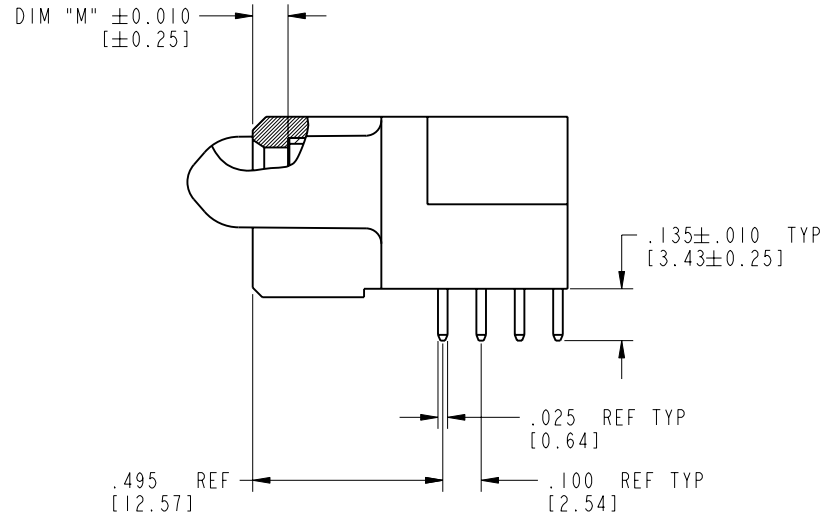
All rights strictly reserved. Reproduction or issue to third parties in any form, whatever is not permitted without written authority from the proprietor. Property of FCI. Copyright FCI.

B

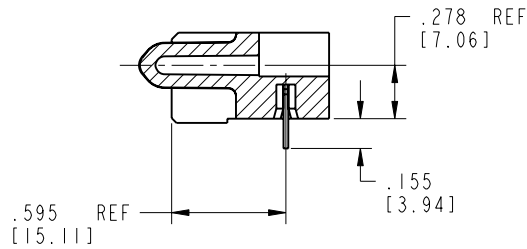
PRODUCT NUMBER
51770-011__
NOTE: 3



BROKEN-OUT SECTION A-A
SCALE 2:1



BROKEN-OUT SECTION B-B
SCALE 2:1



SECTION C-C

mat'l code				SEE NOTE 2		tolerances unless otherwise specified		CUSTOMER		A FCI www.fciconnect.com	
ltr	ecr no.	dr	date	linear	.XX±.01/0.XX±0.3	projection		COPY		title	
C				angles	.XXX±.005/0.XX±0.13	INCH/MM		6P + 24S + 6P		R/A SOLDER RECEPTACLE	
				dr	.XXX±.0020/0.XXX±0.051	scale		product family		code	
				engr	0° ± 2°	1:1		PwrBlade		213	
				chr				size		sheet	
				appd				A		2 of 4	
sheet index		revision sheet									

cage code 22526

Pro/E

PDM: Rev:C

STATUS: **Released**

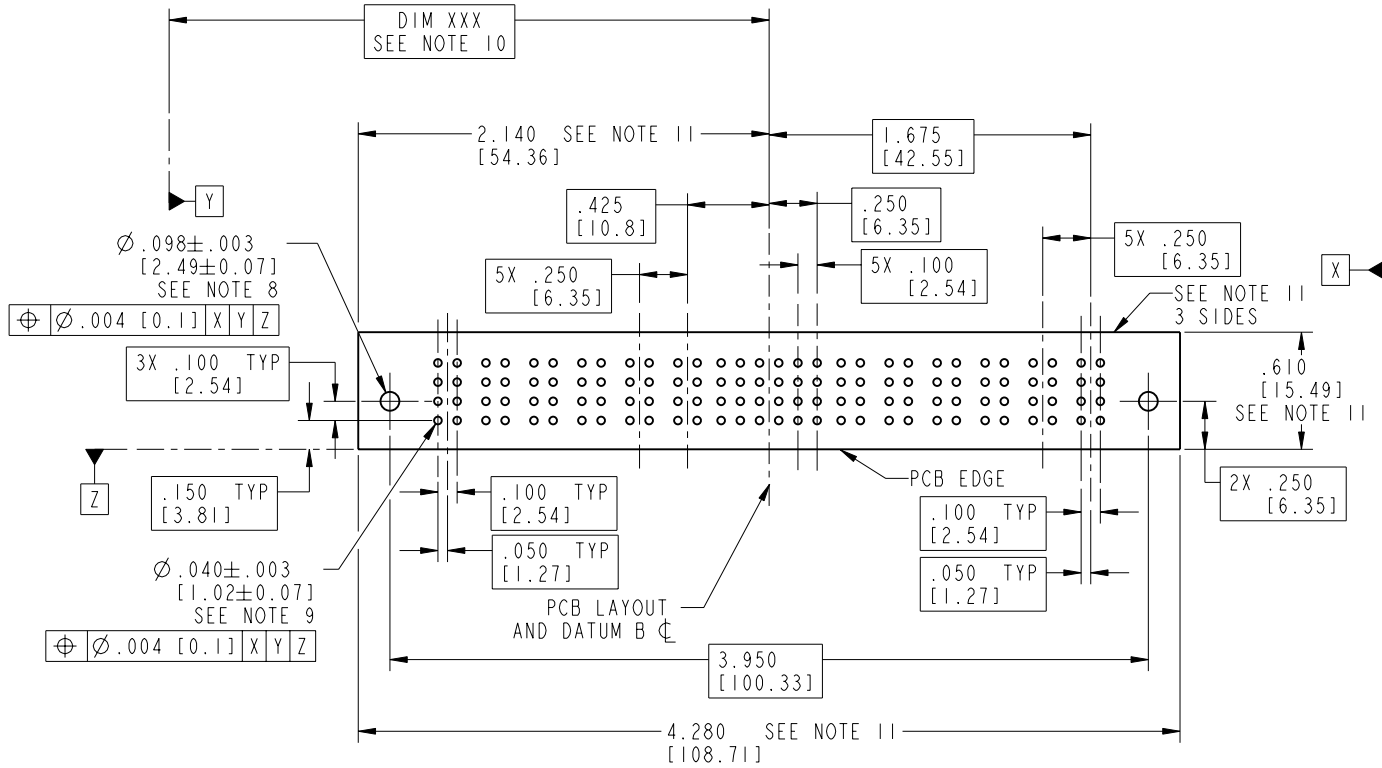
Printed: Dec 20, 2010

Tous droits strictement réservés. Reproduction ou communication o des liens interdite sous quelque forme que ce soit sans autorisation écrite du propriétaire. Propriété de c FCI. Droits de reproduction FCI.



All rights strictly reserved. Reproduction or issue to third parties in any form, whatever is not permitted without written authority from the proprietor. Property of FCI. Copyright FCI.

PRODUCT NUMBER
51770-011--
NOTE: 3



mat'l code SEE NOTE 2				tolerances unless otherwise specified		CUSTOMER	FCI www.fciconnect.com		
lfr	ecn no.	dr	date	linear	.XX±.01/0.X±0.3	COPY	title	6P + 24S + 6P	
c				angles	.XXX±.005/0.XXX±0.13	projection	R/A SOLDER RECEPTACLE		
				dr	.XXX±.0020/0.XXX±0.051	INCH/MM scale 1:1	product family	PwrBlade	
				enrg	T. BRUNGARD 04/14/03		size	dwg no	213
				chr	M. MOSTOLLER 04/14/03		product	51770-011	
				appd	M. MOSTOLLER 04/14/03		sheet	3 of 4	
sheet index	revision sheet								

cage code 22526

Pro/E

PDM: Rev:C

STATUS: Released

Printed: Dec 20, 2010

Tous droits strictement réservés. Reproduction ou communication o des liens interdite sous quelque forme que ce soit sans autorisation écrite du propriétaire. Propriété de c FCI. Droits de reproduction FCI.

FCI

All rights strictly reserved. Reproduction or issue to third parties in any form, whatever is not permitted without written authority from the proprietor. Property of FCI. Copyright FCI.

1 | 2

3 |

4

PRODUCT NUMBER

51770-011__
NOTE: 3

NOTES:

1. DIMENSIONS AND TOLERANCES ARE IN ACCORDANCE WITH ASME Y14.5M, 1994 UNLESS OTHERWISE SPECIFIED.

CONNECTOR NOTES:

2. HOUSING MATERIAL: UL 94 V-0 GLASS FILLED

HIGH-TEMP THERMOPLASTIC
POWER CONTACT MATERIAL: COPPER ALLOY
SIGNAL PIN MATERIAL: COPPER ALLOY

3. PLATING:

51770-011 Singal Pin: 30u"/0.76um Au OVER 50u"/1.27um Ni ON THE CONTACT AREA.
AND 100u"/2.54um SnPb PLATING OVER 50u"/1.27um Ni ON THE TERMINATION SECTION.
Power Pin: 30u"/0.76um Au OVER 50u"/1.27um Ni ON THE CONTACT AREA,
AND 100u"/2.54um SnPb PLATING OVER 50u"/1.27um Ni ON THE TERMINATION SECTION.

51770-011LF Singal Pin: 30u"/0.76um Au OVER 50u"/1.27um Ni ON THE CONTACT AREA.
AND 78u"/2.00um Sn PLATING OVER 50u"/1.27um Ni ON THE TERMINATION SECTION.
Power Pin: 30u"/0.76um Au OVER 50u"/1.27um Ni ON THE CONTACT AREA,
AND 78u"/2.00um Sn PLATING OVER 50u"/1.27um Ni ON THE TERMINATION SECTION.

PART NUMBER 51770-011LF MEETS EUROPEAN UNION DIRECTIVE AND OTHER COUNTRY REGULATIONS AS DESCRIBED IN GS-22-008.

THE HOUSING WILL WITHSTAND EXPOSURE TO 260° PEAK TEMPERATURE FOR 10 SECONDS IN A WAVE SOLDER APPLICATION WITH A CIRCUIT BOARD.

4. MANUFACTURER'S NAME, P/N, AND DATE CODE TO APPEAR ON THIS SURFACE.

5. PRODUCT SPECIFICATION GS-12-149.
APPLICATION SPECIFICATION BUS-20-067.

6. PACKAGED IN TRAYS.

PCB NOTES:

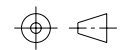
7. ALL HOLE DIAMETERS ARE FINISHED HOLE SIZE.

8. MOUNTING HOLES, WHERE APPLICABLE, ARE UNPLATED.

9. Ø.0453±.0010 [1.151±0.025] DRILLED HOLES PLATED WITH .0003 [0.008] MIN SnPb OVER .001 [0.03] TO .003 [0.08] Cu PLATING TO ACHIEVE Ø.040±.003 [1.02±.07] HOLE.

10. "DIM XXX" TO BE DETERMINED BY THE CUSTOMER.

11. CONNECTOR KEEP-OUT ZONE.

mat'l code				SEE NOTE 2		tolerances unless otherwise specified		CUSTOMER		FCI www.fciconnect.com	
ltr	ecn no.	dr	date	linear	.XX±.01/0.X±0.3		COPY		title	6P + 24S + 6P	
C					.XXX±.005/0.XX±0.13		projection			R/A SOLDER RECEPTACLE	
				angles	.XXX±.0020/0.XXX±0.051				product family	PwrBlade	
					0° ± 2°					INCH/MM	
				dr	T. BRUNGARD	04/14/03	scale		size	dwg no	213
				engr	M. MOSTOLLER	04/14/03					
				chr	M. MOSTOLLER	04/14/03					
				appd	M. MOSTOLLER	04/14/03					
sheet index		revision sheet						A		51770-011	
										4 of 4	

1 | 2

Pro/E

3 |

cage code 22526

4