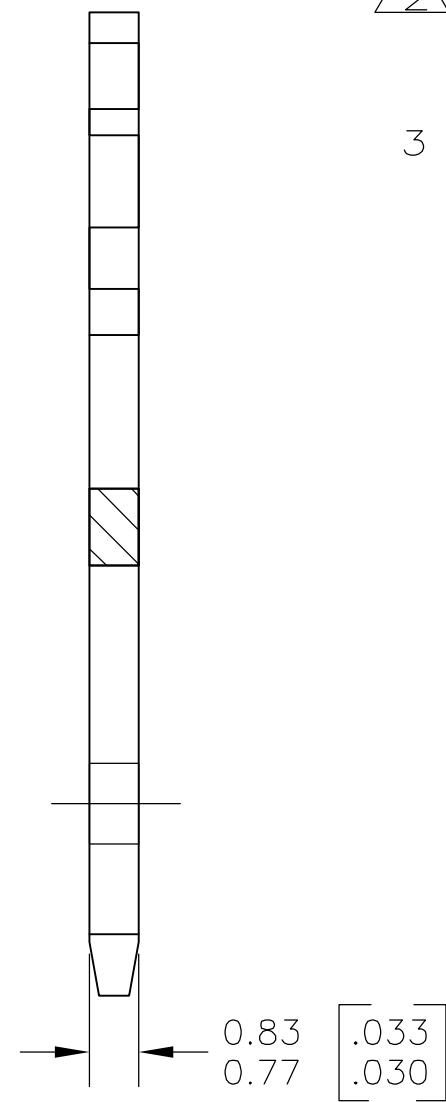
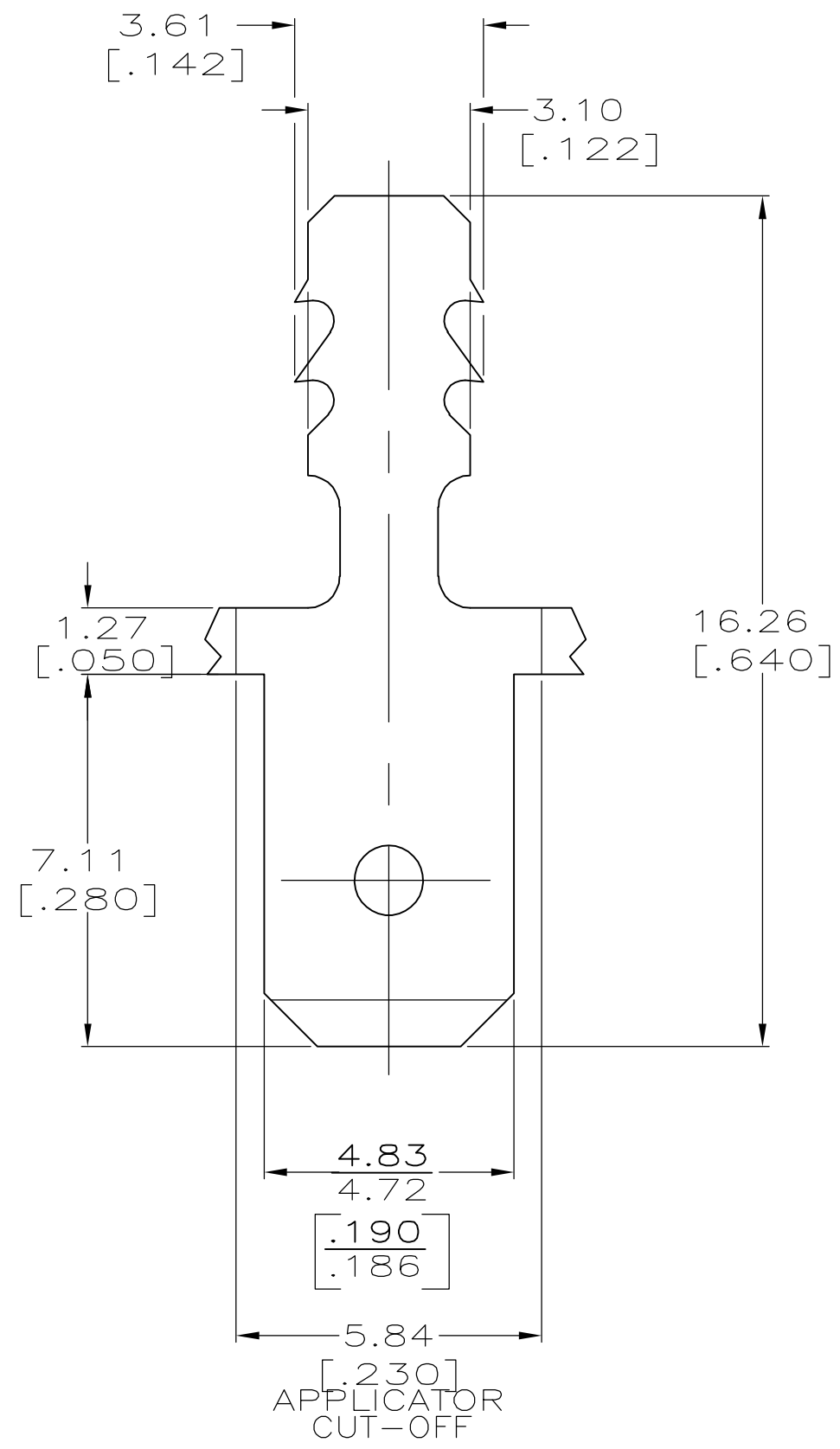


THIS DRAWING IS UNPUBLISHED. RELEASED FOR PUBLICATION
 © COPYRIGHT BY TYCO ELECTRONICS CORPORATION. ALL RIGHTS RESERVED.

LOC	DIST	REVISIONS					
AF	50	P	LTR	DESCRIPTION	DATE	DWN	APVD
			C	REV PER ECR 05-017561	24MAR06	JR	KR



- 1 CONTINUOUS STRIP ON REEL.
- 2 FINISH: 0.00381 [.000150] MIN TIN PL ALL OVER 0.00254 [.000100] MIN COPPER UNDERPLATE.
- 3 DIMENSIONAL MEASUREMENTS DO NOT INCLUDE PLATING, BURRS, OR FLATNESS TOLERANCE.

63967-1
PART NO

THIS DRAWING IS A CONTROLLED DOCUMENT.		DWN PHILLIP M FORTNEY 31/JAN/97	Tyco Electronics Corporation Harrisburg, PA 17105-3608	
DIMENSIONS: MM [INCHES]		CHK MICHAEL S FEHER 31/JAN/97	Tyco Electronics	
TOLERANCES UNLESS OTHERWISE SPECIFIED:		APVD D SCHWENK 31JAN97	BOBBIN TAB, 4.75 [.187] SERIES	
0 PLC ± -		PRODUCT SPEC	-	
1 PLC ± -		APPLICATION SPEC	-	
2 PLC ± 0.25 [.010]		WEIGHT	-	
3 PLC ± -		CUSTOMER DRAWING	SIZE A3	CAGE CODE 00779
4 PLC ± -		FINISH	DRAWING NO C-63967	RESTRICTED TO -
ANGLES ± -			SCALE 8:1	SHEET 1 OF 1
MATERIAL 082 BRASS			REV C	