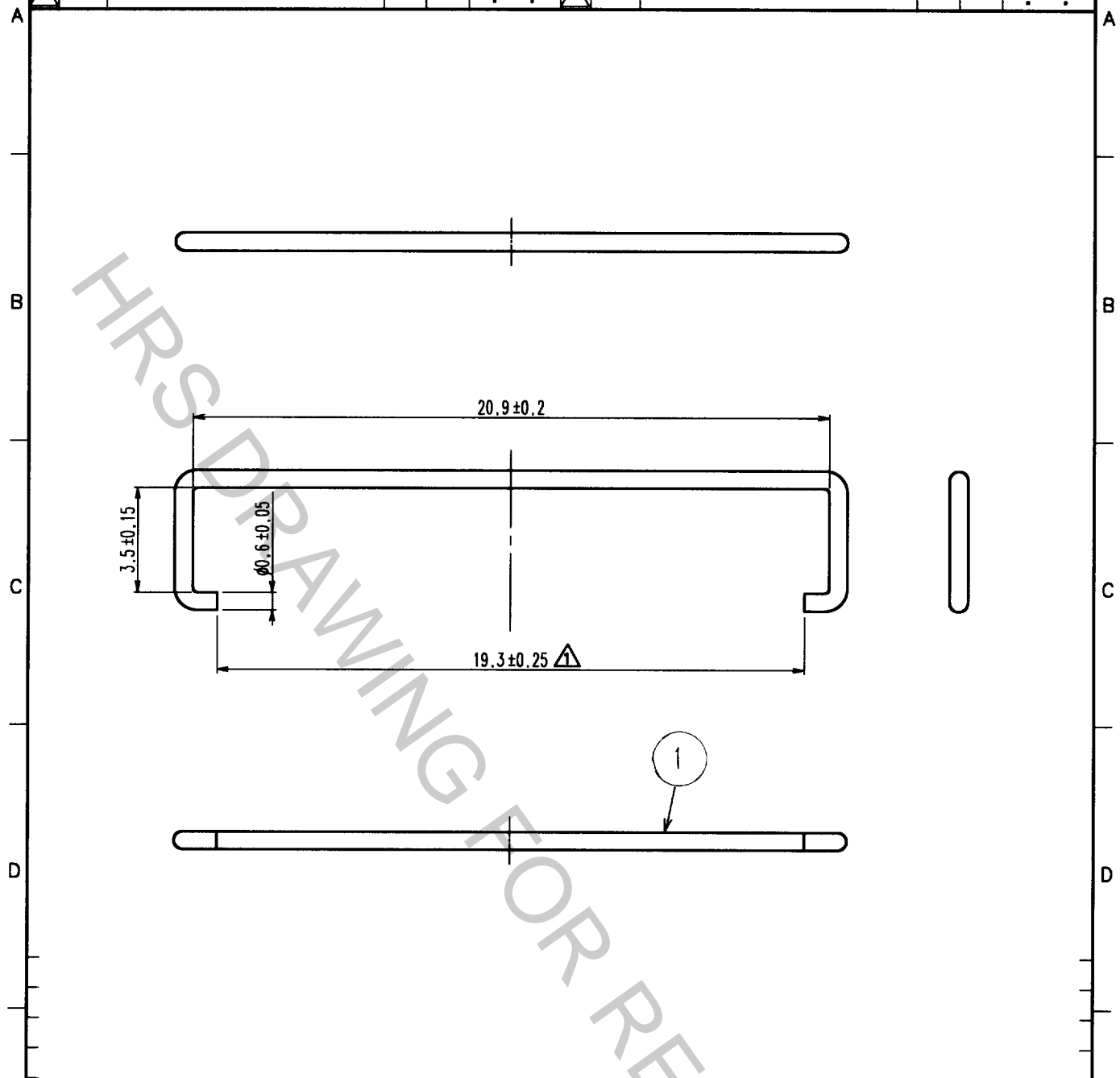


1		2			3			4		
COUNT	DESCRIPTION OF REVISIONS	BY	CHKD	DATE	COUNT	DESCRIPTION OF REVISIONS	BY	CHKD	DATE	
1	RE-H-04262	I.T	K.A	01. 2.26						



NOTE 1: MINIMUM ORDERING QUANTITY IS ONE PACKAGE. (CONTAINING 100 PCS)
 2: PULL-TAB(DF21-20P/40DP-PTB) IS A OPTIONAL PART. SOLD SEPARATELY.

1	STAINLESS STEEL	
---	-----------------	--

NO.	MATERIAL	FINISH, REMARKS	NO.	MATERIAL	FINISH, REMARKS

CODE NO. (OLD) CL?		DRAWN I.Tashiro '01. 2.14	DESIGNED I.Tashiro '01. 2.14	CHECKED K.Akiyama '01. 2.15	APPROVED K.Katayose '01. 2.15	RELEASED
DRAWING NO. EDC4-164110		PART NO. DF21-20P/40DP-0.6PTB				
SACLE 5 : 1		CODE NO. CL687-1700-0				1 1
UNITS mm		HRS HIROSE ELECTRIC CO.,LTD.				

TO