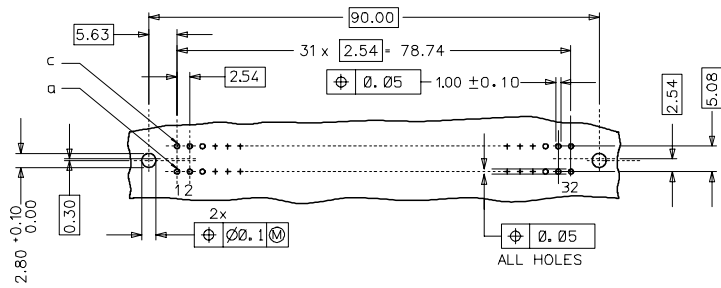
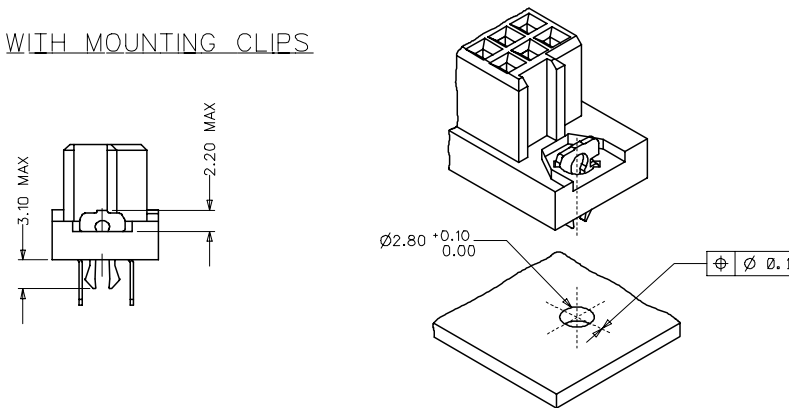


RECOMMENDED PCB LAYOUT  
COMPONENT SIDE



WITH MOUNTING CLIPS



NOTES:

- MATERIALS: THERMOPLASTIC POLYESTER, GLASS FILLED, UL94V-0. COLOUR: PEBBLE GREY RAL 7032  
TERMINAL - PHOSPHOR BRONZE  
MOUNTING CLIP: STEEL
- FINISH: TERMINAL:-  
CONTACT AREA  
1. PERFORMANCE LEVEL 1: SELECTIVE GOLD (Au), THICKNESS - 1.1 MICROMETER  
OVER NICKEL, THICKNESS - 1.5 MICROMETER  
2. PERFORMANCE LEVEL 2: SELECTIVE GOLD (Au), THICKNESS - 0.6 MICROMETER  
OVER NICKEL, THICKNESS - 1.5 MICROMETER  
3. PERFORMANCE LEVEL 3: SELECTIVE GOLD (Au), THICKNESS - 0.3 MICROMETER  
OVER NICKEL, THICKNESS - 1.5 MICROMETER  
TERMINATION AREA:  
SELECTIVE TIN, THICKNESS - 5 MICROMETER  
OVER NICKEL, THICKNESS - 1.5 MICROMETER OVERALL
- MOUNTING CLIP:-  
TIN (Sn), THICKNESS - 5-10 MICROMETER,  
OVER NICKEL (Ni), THICKNESS - 2.5 MICROMETER
- FOR NON MOUNTING CLIP OPTION, CONNECTOR TO BE SECURED WITH  
RIVETS: 2 TUBULAR RIVETS 2.5 x 0.3 ... DIN 7340  
SCREWS: 2 CHEESEHEAD SCREWS M2.5 x ... DIN 84 AND 2 HEXAGONAL NUTS M2.5 DIN 934
- MATERIAL No, BATCH CODE, UL AND CSA MARKING TO BE PRINTED ON THE CONNECTOR.
- CUT FACES OF TIP WITHOUT PLATING PERMITTED.
- PRODUCT SPECIFICATION PS:36500-001

RoHS COMPLIANT

ENTER DESCRIPTION E.C.N.C. 12007.0044 DRAWING APPROVED CHKD:SSUDHIR 2006/10/11 APPROVED:SSUDHIR 2006/10/16	QUALITY SYMBOLS ▽=0 ▽=0	GENERAL TOLERANCES (UNLESS SPECIFIED)		DIMENSION STYLE MM ONLY		SCALE 2:1	DESIGN UNITS METRIC	THIRD ANGLE PROJECTION
		4 PLACES ±	mm	INCH	DRAWN BY SHANKAR	DATE 2006/03/29	TITLE ASSEMBLY DIN 41612 64POS C FEMALE A+C LOADED 1.0MM PCB DIA	
REV C1	DESCRIPTION	3 PLACES ±	±	±	CHECKED BY SSUDHIR	DATE 2006/03/29	MATERIAL NO. DOCUMENT NO. SHEET NO. SD-36500-003 1 OF 2	
		2 PLACES ±	±	±	APPROVED BY SSUDHIR	DATE 2006/03/29	MATERIAL NO. DOCUMENT NO. SHEET NO. SD-36500-003 1 OF 2	
DRAFT WHERE APPLICABLE MUST REMAIN WITHIN DIMENSIONS		1 PLACE ±	±	±	THIS DRAWING CONTAINS INFORMATION THAT IS PROPRIETARY TO MOLEX INCORPORATED AND SHOULD NOT BE USED WITHOUT WRITTEN PERMISSION			

	20	19	18	17	16	15	14	13	12	11	10	9	8	7	6	5	4	3	2	1
	MATERIAL No	MOLEX ENG No	PERF LEVEL	PLATING	CONTACT SEQUENCE/ROW	DIM "L" mm	MOUNTING CLIP	FLUX PROOF												
	36500-0097	MM-B2401-C963	1	Au+Ni	1.2.3....32 a+c	2.9	NO	NO												
	36500-0098	MM-B2501-C963	2	Au+Ni	1.2.3....32 a+c	2.9	NO	NO												
	36500-0099	MM-B2601-C963	3	Au+Ni	1.2.3....32 a+c	2.9	NO	NO												
L	36500-0103	MM-B2401-C913	1	Au+Ni	1.2.3....32 a+c	2.9	YES	NO												
	36500-0104	MM-B2501-C913	2	Au+Ni	1.2.3....32 a+c	2.9	YES	NO												
	36500-0105	MM-B2601-C913	3	Au+Ni	1.2.3....32 a+c	2.9	YES	NO												
	36500-0109	MM-B2401-C963-133	1	Au+Ni	1.2.3....32 a+c	2.9	NO	YES												
	36500-0110	MM-B2501-C963-133	2	Au+Ni	1.2.3....32 a+c	2.9	NO	YES												
K	36500-0111	MM-B2601-C963-133	3	Au+Ni	1.2.3....32 a+c	2.9	NO	YES												
	36500-0115	MM-B2401-C913-133	1	Au+Ni	1.2.3....32 a+c	2.9	YES	YES												
	36500-0116	MM-B2501-C913-133	2	Au+Ni	1.2.3....32 a+c	2.9	YES	YES												
	36500-0117	MM-B2601-C913-133	3	Au+Ni	1.2.3....32 a+c	2.9	YES	YES												
J	36500-0121	MM-B2402-C963	1	Au+Ni	1.2.3....32 a+c	4.5	NO	NO												
	36500-0122	MM-B2502-C963	2	Au+Ni	1.2.3....32 a+c	4.5	NO	NO												
	36500-0123	MM-B2602-C963	3	Au+Ni	1.2.3....32 a+c	4.5	NO	NO												
	36500-0127	MM-B2402-C913	1	Au+Ni	1.2.3....32 a+c	4.5	YES	NO												
	36500-0128	MM-B2502-C913	2	Au+Ni	1.2.3....32 a+c	4.5	YES	NO												
I	36500-0129	MM-B2602-C913	3	Au+Ni	1.2.3....32 a+c	4.5	YES	NO												
	36500-0133	MM-B2402-C963-133	1	Au+Ni	1.2.3....32 a+c	4.5	NO	YES												
	36500-0134	MM-B2502-C963-133	2	Au+Ni	1.2.3....32 a+c	4.5	NO	YES												
	36500-0135	MM-B2602-C963-133	3	Au+Ni	1.2.3....32 a+c	4.5	NO	YES												
H	36500-0139	MM-B2402-C913-133	1	Au+Ni	1.2.3....32 a+c	4.5	YES	YES												
	36500-0140	MM-B2502-C913-133	2	Au+Ni	1.2.3....32 a+c	4.5	YES	YES												
	36500-0141	MM-B2602-C913-133	3	Au+Ni	1.2.3....32 a+c	4.5	YES	YES												

RoHS COMPLIANT

<b>ENTER DESCRIPTION</b> ELC.NCL.12007.0044. 2006/10/10 DRWNGSATTI/MARAD 2006/10/10 CHKD/SSUDHIR 2006/10/11 APPR/SSUDHIR 2006/10/16	<b>QUALITY SYMBOLS</b> 	<b>GENERAL TOLERANCES (UNLESS SPECIFIED)</b>		<b>DIMENSION STYLE</b> MM ONLY	<b>SCALE</b> ---	<b>DESIGN UNITS</b> METRIC	<b>THIRD ANGLE PROJECTION</b>	
		4 PLACES ±---± 3 PLACES ±---± 2 PLACES ±---± 1 PLACE ±---±	mm INCH ±---± ±---± ±---± ±---± ±---± ±---±	<b>DRAWN BY</b> SHANKAR	<b>DATE</b> 2006/03/29	<b>TITLE</b> ASSEMBLY DIN 41612 64POS C FEMALE A+C LOADED 1.0MM PCB DIA	<b>MOLEX INCORPORATED</b>	
<b>REVISION</b> C1	<b>DESCRIPTION</b> DRAFT WHERE APPLICABLE MUST REMAIN WITHIN DIMENSIONS	<b>ANGULAR</b> ±---°		<b>DRAWN BY</b> SHANKAR	<b>DATE</b> 2006/03/29	<b>DOCUMENT NO.</b> SD-36500-003		
		<b>SIZE</b> A 1		<b>SEE CHART</b>		<b>SHEET NO.</b> 2 OF 2		