

NOTES:

- SPECIFICATIONS IN THIS DOCUMENT ARE SUBJECT TO CHANGE WITHOUT NOTICE. CONTACT AMPHENOL FOR LATEST SPECIFICATIONS. ALL STATEMENTS, INFORMATION AND DATA GIVEN HERIN ARE BELIEVED TO BE ACCURATE AND RELIABLE BUT ARE PRESENTED WITHOUT GUARANTY, WARRANTY, OR RESPONSIBILITY OF ANY KIND, EXPRESSED OR IMPLIED.
- MATERIAL OF CONSTRUCTION:
 BODY - ZINC DIE CAST, TIN PLATED
 CONTACT - BERYLLIUM COPPER, TIN PLATED
 INSULATOR - TEFLON
 HEX-NUT - BRASS, NICKEL PLATED
 LOCK WASHER - PHOSPHOR BRONZE, NICKEL PLATED
- DO NOT SCALE THIS DRAWING.
- UNLESS OTHERWISE SPECIFIED, ALL DIMENSIONS ARE AFTER PLATING.
- HEX NUT AND LOCKWASHER ARE BULK PACKED SEPARATELY.

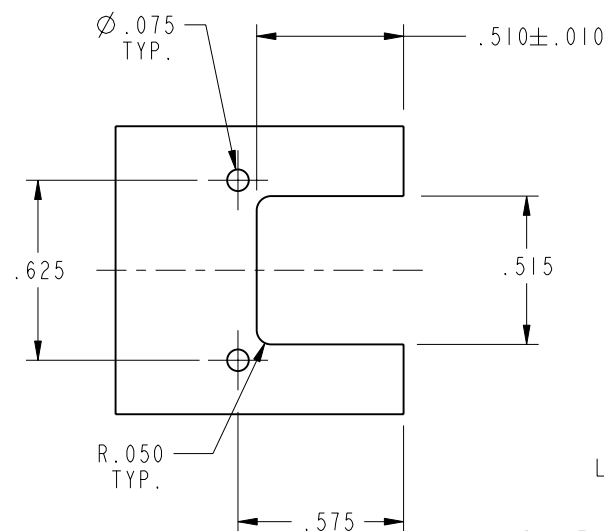
531-40035-1006

DRAWING NO. THIRD ANGLE PROJ.

REVISIONS

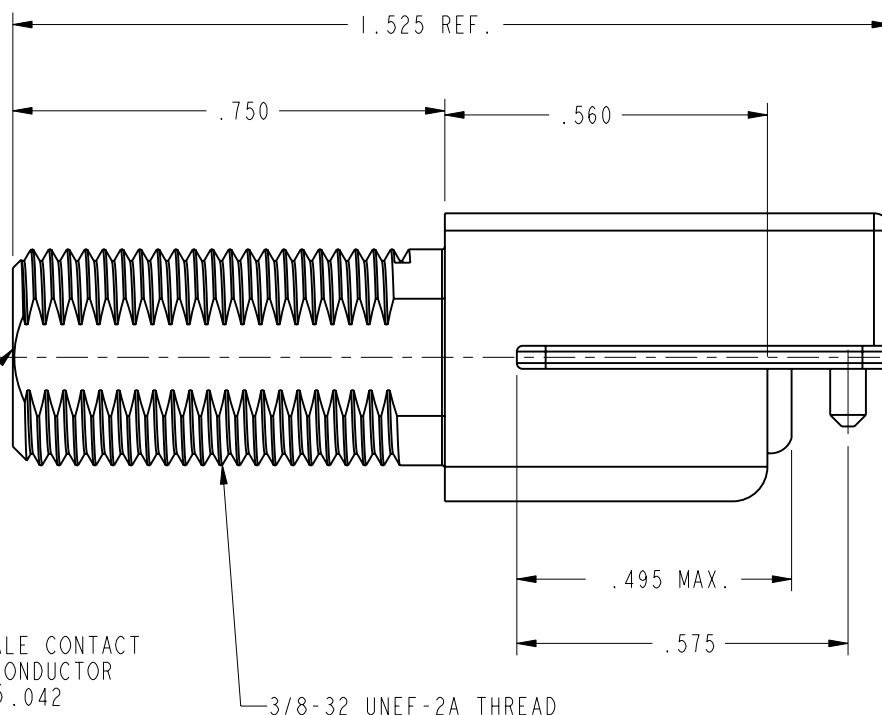
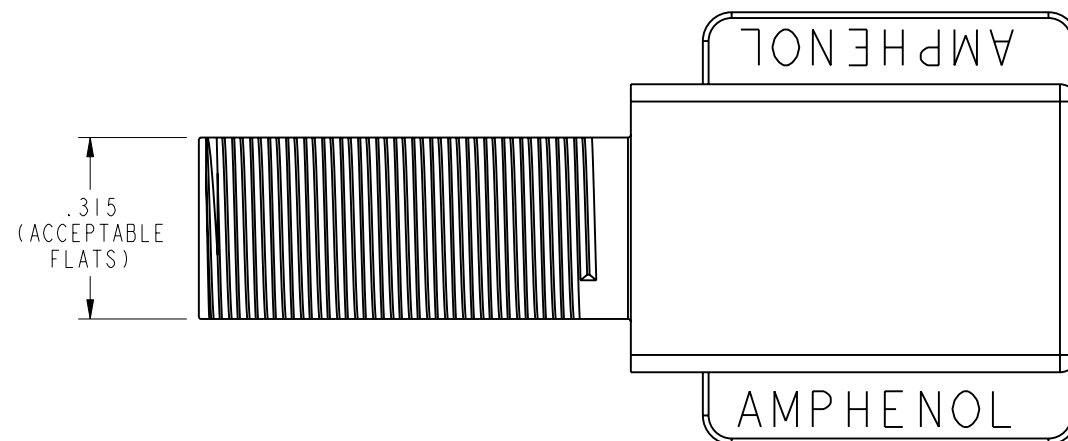
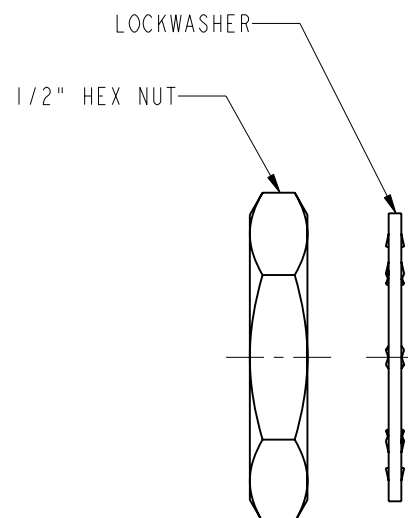
REV	DESCRIPTION	DATE	ECO	APPR
A	RELEASED FOR PRODUCTION	6/8/99	43006	FO
B	SEE SHEET ONE	11/1/99	43167	CPM
C	A. NOTES UPDATED. B. SEE SHEET ONE.	7/21/08	47163	JL
D	SEE SHEET 1	10/7/08	47206	JL

CUSTOMER OUTLINE DRAWING
ALL OTHER SHEETS ARE FOR INTERNAL USE ONLY

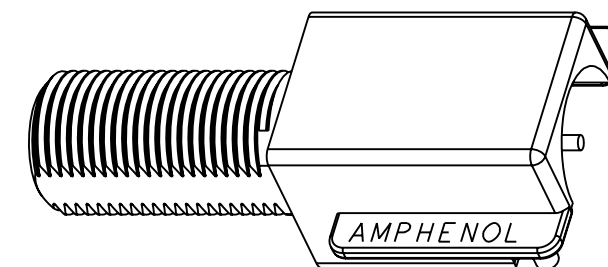


RECOMMENDED PCB HOLE PATTERN

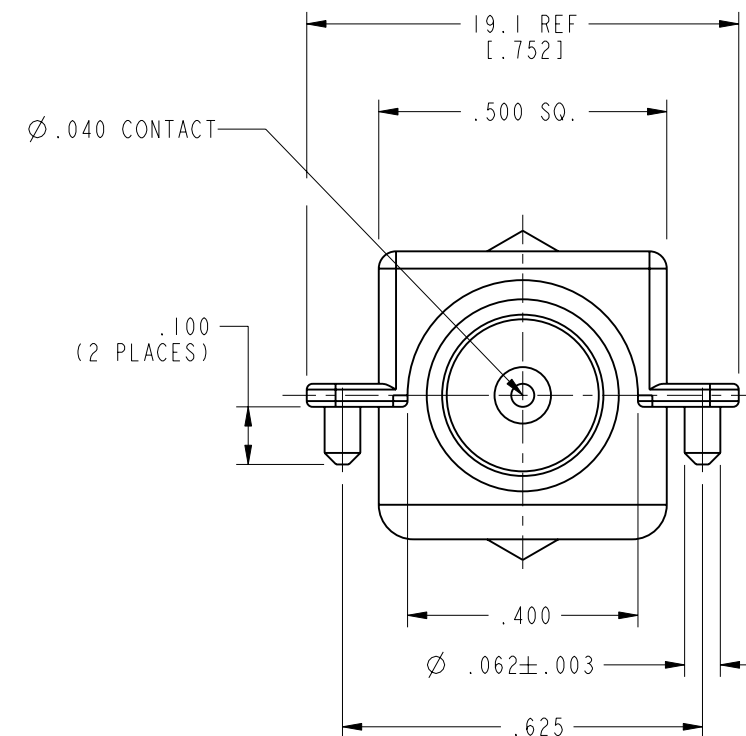
SCALE 1.5 TO 1



PROPRIETARY FEMALE CONTACT ACCEPTS CENTER CONDUCTOR RANGE Ø.022 - Ø.042



SCALE 2 TO 1



UNLESS OTHERWISE SPECIFIED, DIMENSIONS ARE IN INCHES AND TOLERANCES ARE:
 2 PLACE DECIMAL ±.015 (0,381 mm)
 3 PLACE DECIMAL ±.005 (0,127 mm)
 ANGLES ± 1°

NOTICE - These drawings, specifications, or other data (1) are, and remain the property of Amphenol Corp. (2) must be returned upon request; and (3) are confidential and not to be disclosed to any person other than those to whom they are given by Amphenol Corp. The furnishing of these drawings, specifications, or other data by Amphenol Corp., or to any other person to anyone for any purpose is not to be regarded by implication or otherwise in any manner licensing, granting rights or permitting such holder or any other person to manufacture, use or sell any product, process or design, patented or otherwise, that may in any way be related to or disclosed by said drawings, specifications, or other data.

MATERIAL

 REFERENCE
 EAR #966978-1
 GEN #531-40035-1005

DRAWN
F. ORBETA
DATE
15-Mar-99
 ENGINEER
F. ORBETA
DATE
15-Mar-99
 APPROVED
T. AUBIN
DATE
6/8/99

TITLE
'F' FEMALE RECEPTACLE
VERTICAL BOARD MOUNT

Amphenol RF
 Danbury, CT, USA
 Tainan, Taiwan
 Shenzhen, China
 www.amphenolrf.com

SCALE: 3.0:1 SHEET 2 OF 2

CAD FILE I:\CATV\FTYPE\531-40035-1006
 CODE ID 74868
 DWG SIZE B
 DRAWING NO. 531-40035-1006
 REV D