

OPERATING CHARACTERISTICS AT 25°C AMBIENT						
CHARACTERISTICS		MIN	TYP	MAX	UNITS	TEST CONDITIONS
LUMINOUS INTENSITY	RED	5.6	8.7	12.6	mcd	$I_f = 10 \text{ mA}$
	GREEN	8.7	12.6	19.0		
FORWARD VOLTAGE	RED		2.0	2.6	V	$I_f = 20 \text{ mA}$
	GREEN		2.1	2.6		
REVERSE CURRENT	RED			100	μA	$V_R = 5 \text{ V}$
	GREEN			100		
PEAK WAVELENGTH	RED		635		nm	
	GREEN		565			
DOMINANT WAVELENGTH	RED	619	623	630	nm	
	GREEN	564	569	573		
VIEWING ANGLE	RED		60		Degree	
	GREEN		60			
CAPACITANCE	RED		20		pF	$V_f = 0 \text{ V}$, $f = 1 \text{ MHz}$
	GREEN		35			

ABSOLUTE MAXIMUM RATING AT 25°C AMBIENT			
POWER DISSIPATION	RED	GREEN	UNITS
	100	100	mW
DERATE LINEARLY FROM 50°C	0.4	0.4	$\text{mA}/^\circ\text{C}$
CONTINUOUS FORWARD CURRENT	30	30	mA
PEAK FORWARD CURRENT (1/10 DUTY CYCLE, 0.1 ms PULSE WIDTH)	120	120	mA
REVERSE VOLTAGE	5	5	V
LEAD SOLDERING TEMPERATURE, 5 SEC., .078" [2,0mm] FROM BODY	260		$^\circ\text{C}$
OPERATING TEMPERATURE	-40 TO +85		$^\circ\text{C}$
STORAGE TEMPERATURE	-55 TO +100		$^\circ\text{C}$

REV	ECN NO	REVISIONS	DRN	CKD	APP	DATE
A		NEW RELEASE	JLC	N.O.	MES	8-8-07
B		RED "8.7" WAS "10.0", RED "12.6" WAS "30.0", GREEN "8.7" WAS "5.6", GREEN "12.6" WAS "16.0", "19.0" WAS "29.0", "-40 TO +85" WAS "-40 TO +80", ADDED CAPACITANCE SPECS, ADDED REVERSE VOLTAGE SPECS, ADDED DIE TECHNOLOGY NOTE, ADDED BIN SPECS TABLE (EACH COLOR LTD TO TWO BINS).	KLJ			

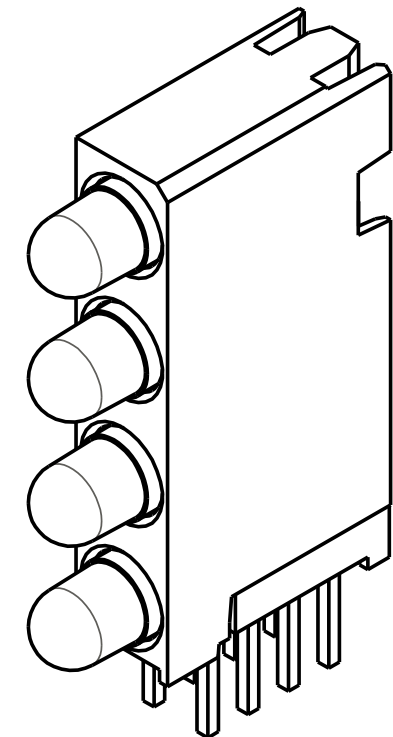
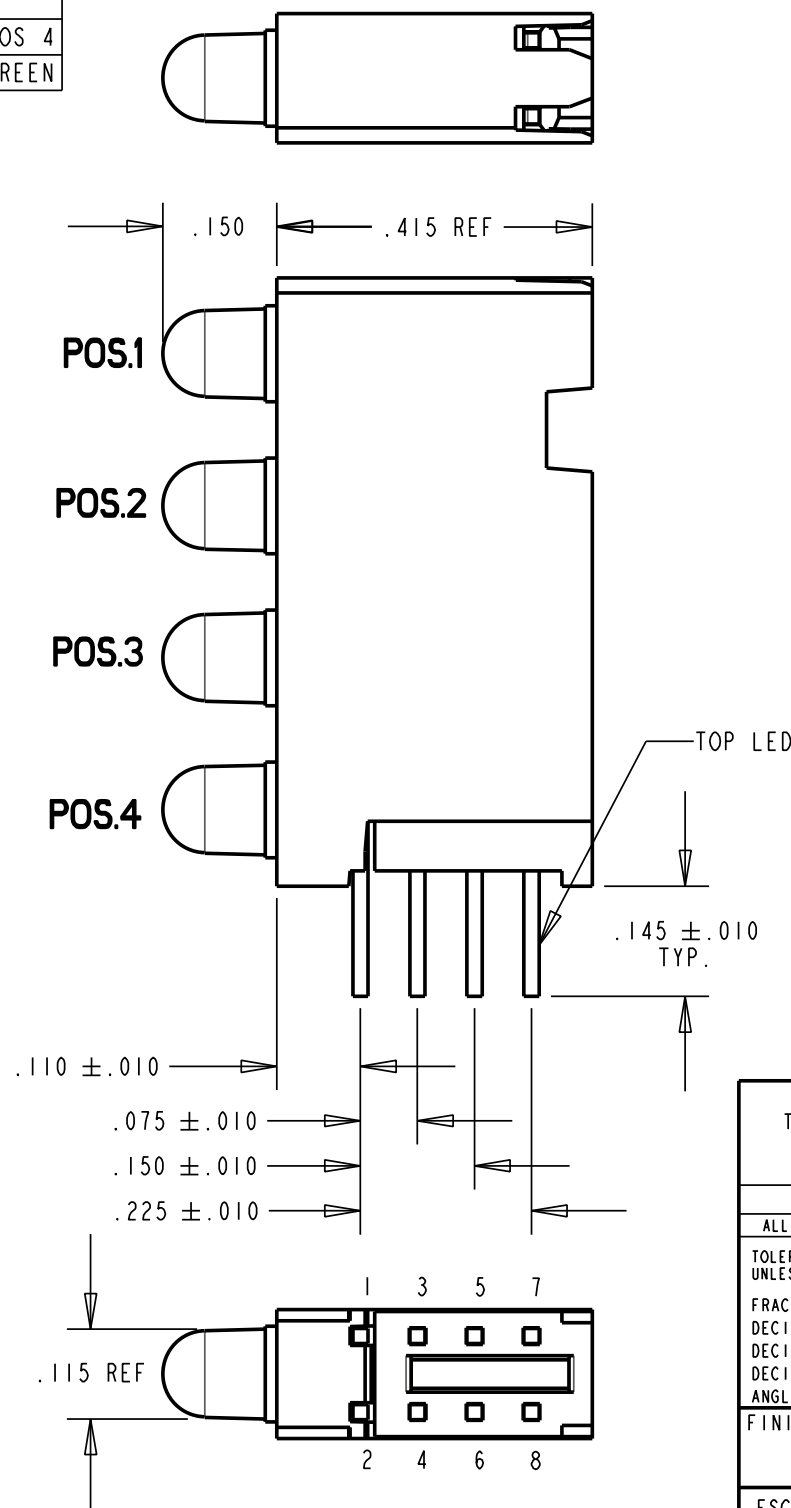
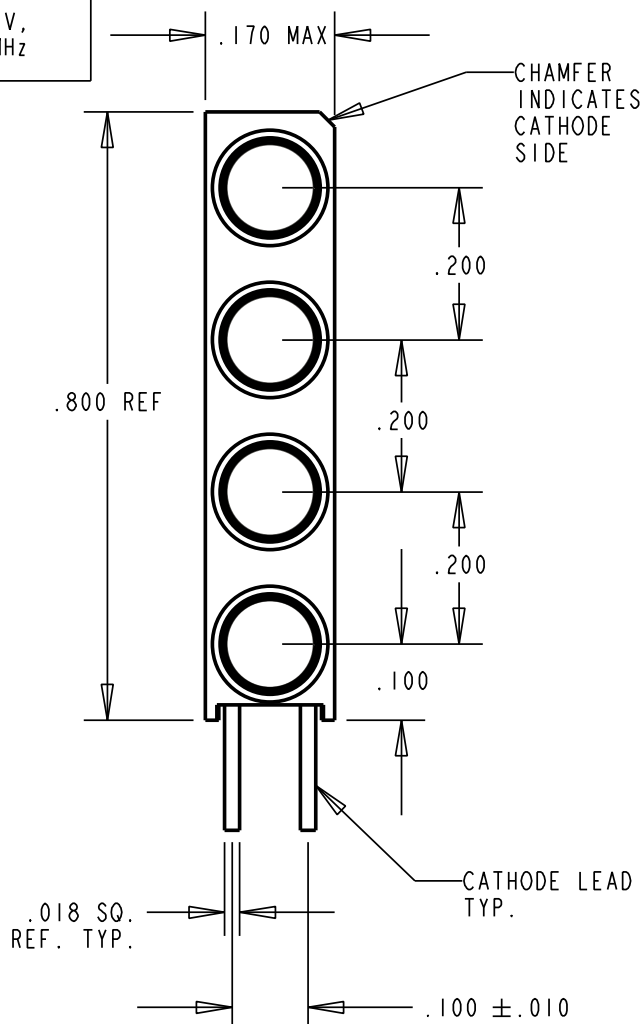
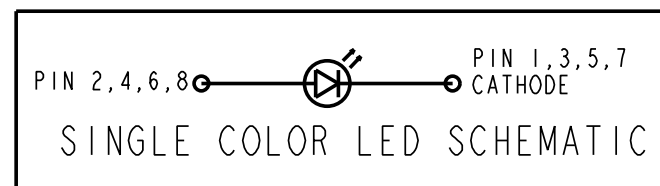
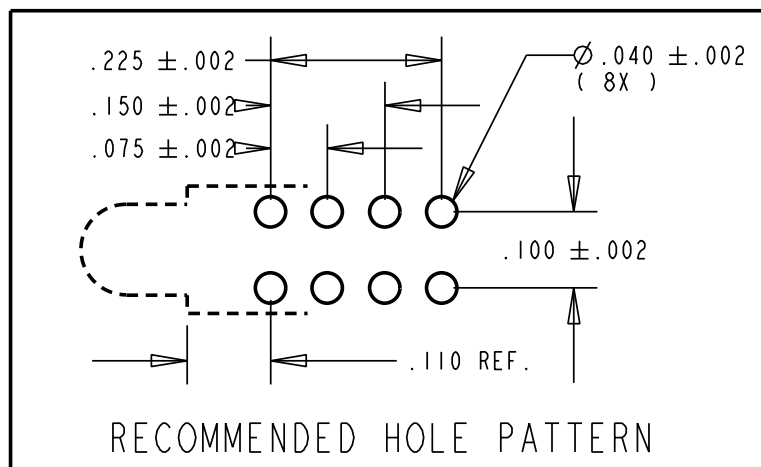
PART NUMBER	LED COLOR			
	POS 1	POS 2	POS 3	POS 4
568-0101-803F	RED	GREEN	GREEN	GREEN

BIN SPECIFICATIONS TABLE

COLOR	LUMINOUS INTENSITY (mcd) @ $I_f = 10 \text{ mA}$		
	BIN CODE	MIN	MAX
GREEN	L2	12.6	19.0
	L3	8.7	12.6
RED	K2	8.7	12.6
	K3	5.6	8.7

NOTES:

- 1- DIE TECHNOLOGY: GaAsP RED
GaP GREEN
- 2- LEADS TO FIT INTO HOLES SPACED AS PER HOLE PATTERN.
- 3- LED LEAD DIMENSIONS SHOWN ARE MEASURED AT HOUSING EXIT.
- 4- PIN NUMBERS FOR REFERENCE ONLY, DESIGNATION NON-EXISTENT ON PARTS.
- 5- DIALIGHT PART NUMBER = 568-0101-803F
- 6- THIS ASSEMBLY CONTAINS ELECTROSTATIC DISCHARGE SENSITIVE DEVICES (ESDS). MAINTAIN ALL PRECAUTIONARY MEASURES DURING ASSEMBLY, HANDLING AND STORAGE IN ACCORDANCE WITH IPC-A-610.



RoHS Compliant 568-0101-803F
Thru hole Quad-level CBI

Part Numbers with the "F" suffix ending are RoHS Compliant. The bag packaging is marked with "RoHS Compliant" label or equivalent markings. Parts can be wave soldered, dip soldered or hand soldered using typical lead-free soldering process with max 260°C temp. for 5 sec.



ATTENTION:
OBSERVE PRECAUTIONS FOR
HANDLING ELECTROSTATIC
SENSITIVE DEVICES

THIS DRAWING AND THE CONTENTS HEREIN ARE CONFIDENTIAL AND THE SOLE PROPERTY OF DIALIGHT. REPRODUCTION OF THIS DRAWING OR CONSTRUCTION OF ANY PARTS WITHIN THIS DRAWING ARE FORBIDDEN WITHOUT THE WRITTEN CONSENT OF DIALIGHT.		
SCALE: 4.000 ALL DIM'S IN: INCHES (MM)	DRAWING NUMBER C-17524	REV B
TOLERANCES: UNLESS OTHERWISE SPECIFIED FRACTIONS: ±1/64 DECIMALS (.XX): ±.01 DECIMALS (.XXX): ±.005 DECIMALS (.XXXX): ±.0005 ANGLES: ±1°	TITLE 3mm QUAD LEVEL CBI R-G-G-G RoHS COMPLIANT	
FINISH:	MATERIAL	
FSCM 83330	Dialight 1501 ROUTE 34 SOUTH FARMINGDALE, NJ 07727	
	SHEET 1 OF 1	FAMILY TABLE: