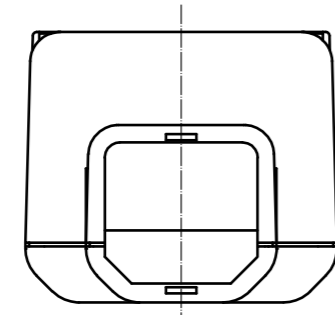
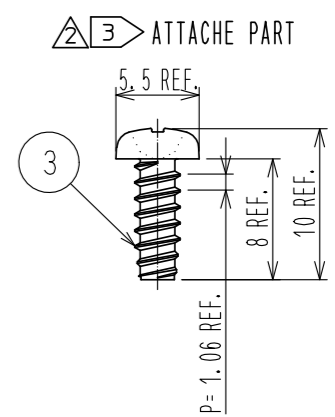
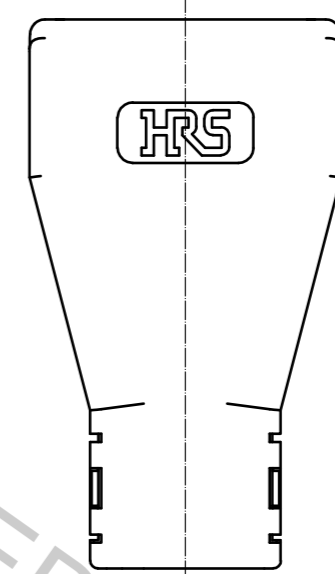
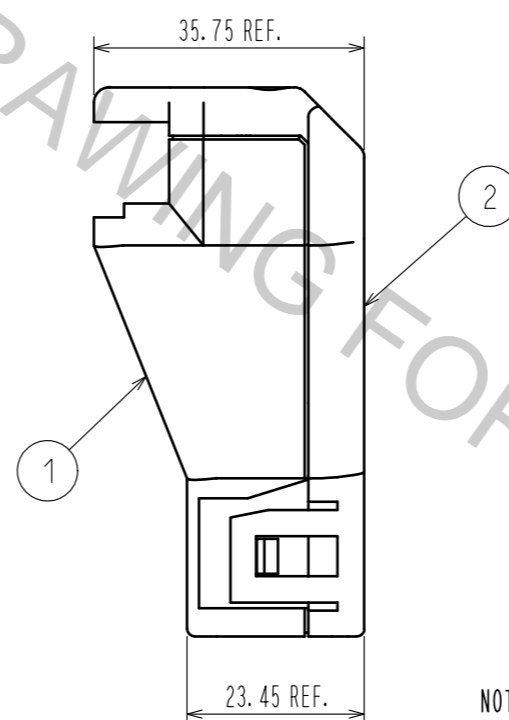
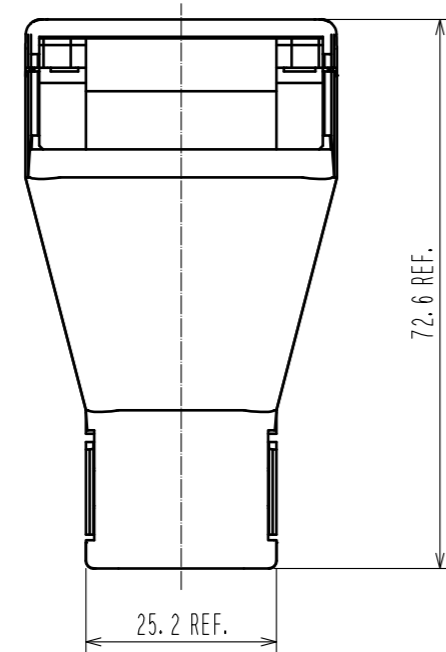
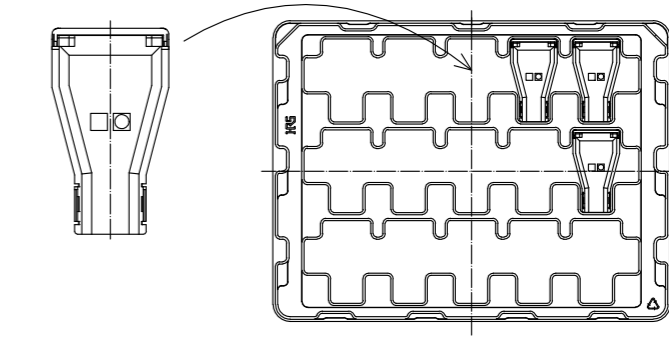
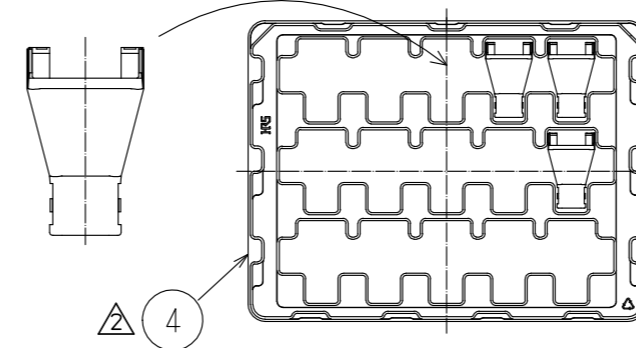
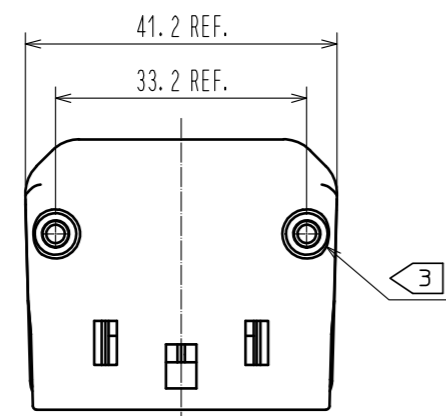


Apr.1.2017 Copyright 2017 HIROSE ELECTRIC CO., LTD. All Rights Reserved.



NOTE 1. PLEASE USE THIS PRODUCT FOR PS3C-A-1UP(CCL236-1064-5-00) OR PS3C-B-1UP(CCL236-1065-8-00).

② THE SALES UNIT IS ONE PIECE AND ONE BOX IS 30 PIECES. PLEASE YOUR ORDER IN UNIT OF 30 PIECES. PLEASE REFER ETAP-E3129.

③ PLEASE USE THE SELF-TAPPING SCREW FOR FIXING REF. ① AND REF. ②. IN CASE OF LOSING SELF-TAPPING SCREWS. PLEASE ORDER THEM IN PS3C-1UP-TS(CCL236-1068-6).
 -RECOMMENDED SELF-TAPPING SCREW: JIS B 1122 3×8 STYLE 2
 -RECOMMENDED TIGHTENING TORQUE: 0.53 TO 0.66 N · m

2	PBT	BLACK	UL94V-0	④	PP		
1	PBT	BLACK	UL94V-0	③	STEEL	Ni PLATING	
NO.	MATERIAL	FINISH	REMARKS	NO.	MATERIAL	FINISH	REMARKS
UNITS	mm	SCALE	1 : 1	COUNT	7	DESCRIPTION OF REVISIONS	DIS-E-0000029
		DESIGNED	WR. YAMADA	CHECKED	NM. NISHIMATSU	DATE	15.02.19
		APPROVED	NM. NISHIMATSU	14.07.23	DRAWING NO. EDC3-128556-00		
		CHECKED	NM. NISHIMATSU	14.07.23	PART NO. PS3C-1UP-CVL		
		DESIGNED	WR. YAMADA	14.07.22	CODE NO. CL236-1066-0-00		
		DRAWN	WR. YAMADA	14.07.22	①/②		

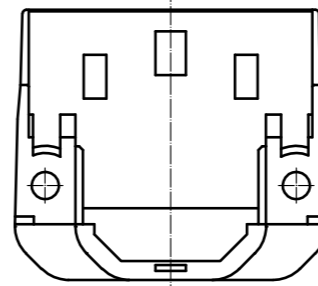
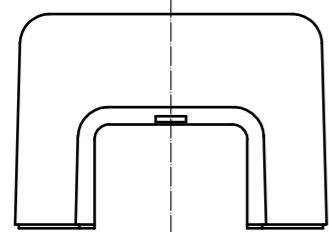
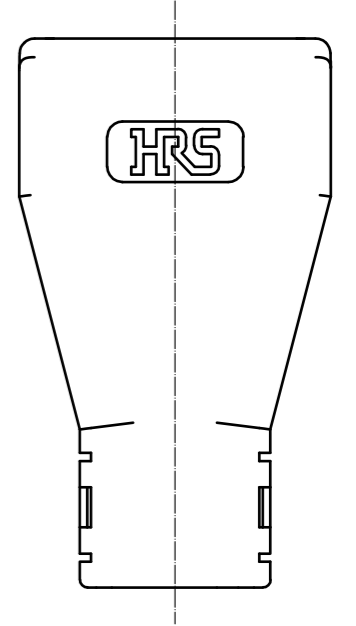
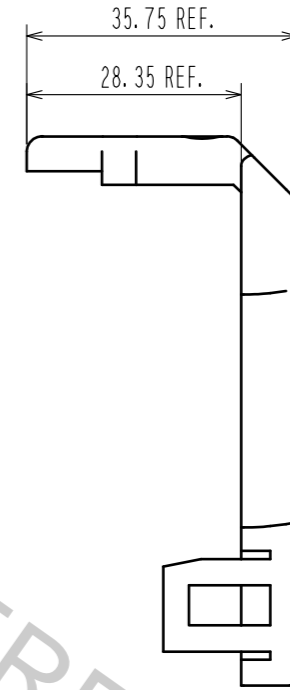
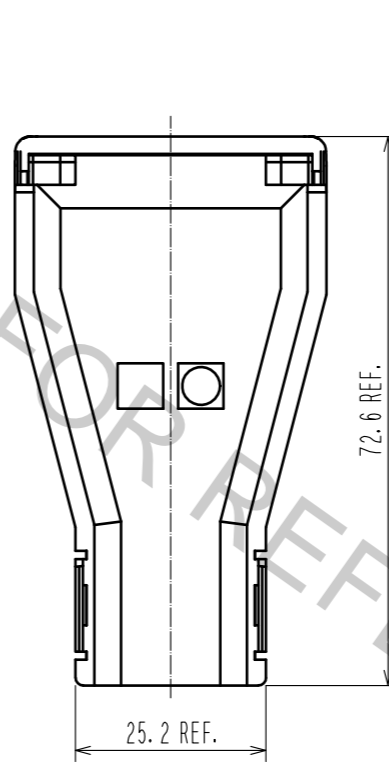
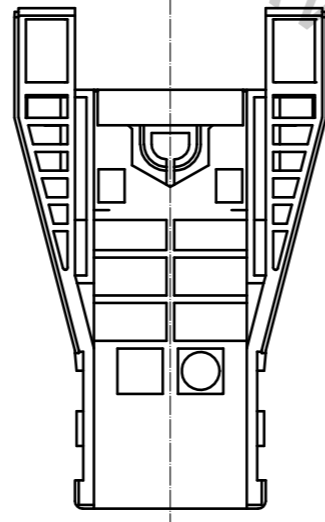
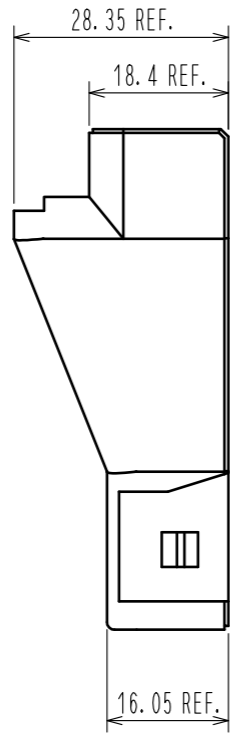
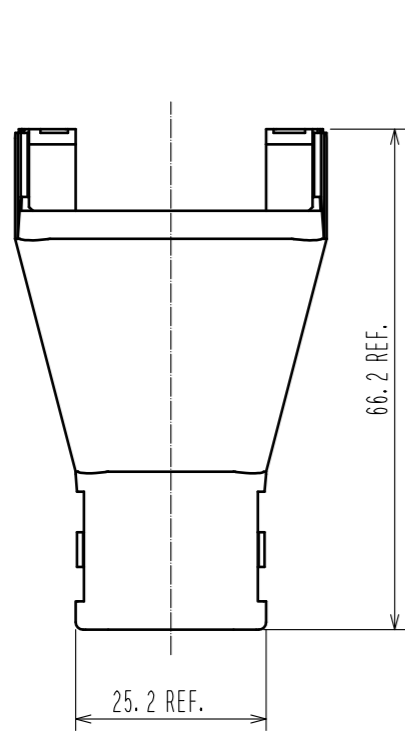
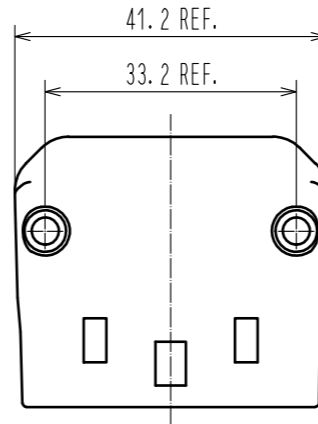
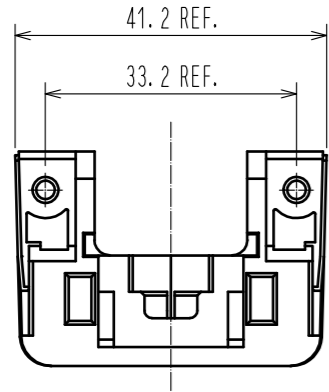
Apr.1.2017 Copyright 2017 HIROSE ELECTRIC CO., LTD. All Rights Reserved.

1 2 3 4 5 6 7 8

A
B
C
D
E
F

DIMENSION OF REF. ①

DIMENSION OF REF. ②



HRS	DRAWING NO.	EDC3-128556-00	
	PART NO.	PS3C-1UP-CVL	
	CODE NO.	CL236-1066-0-00	

FORM HC0011-5-8 1 2 3 4 5 6 7 8