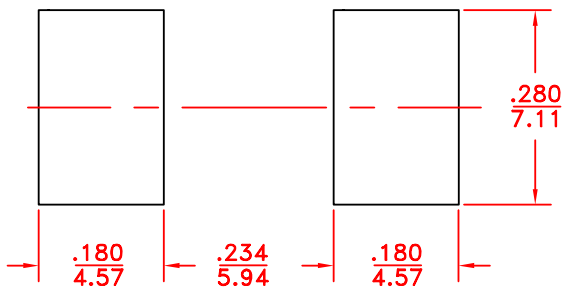
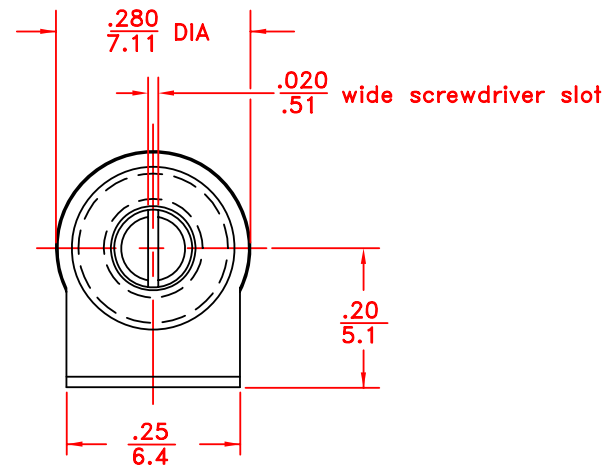
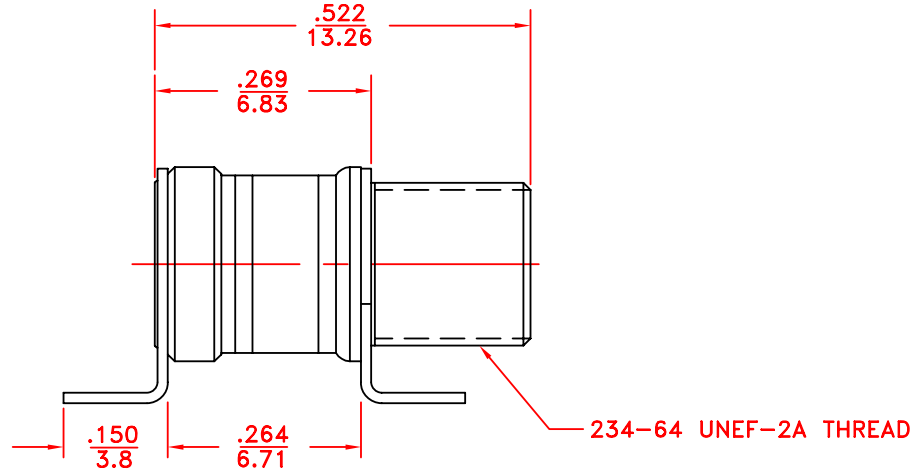


REV	DESCRIPTION	DATE	APP
00	NEW DRAWING	10/03/12	D.D



SUGGESTED MOUNTING PADS LAYOUT

NOTES:

1. Cmax over 10 pF
2. Cmin below 1.0pF
3. Working voltage 1000 VDC
4. Withstanding voltage 2000 VDC
5. Q @ Cmax and 100 MHZ over 2000
6. Operating temperature -65° C to +125° C
7. Torque .5 to 5.0 oz-in
8. Rotational life 10,000 turns
9. Dimensions: ( in/mm )
10. Construction: nonmagnetic
11. TC 0 ± 50 ppm

TOLERANCES: (EXCEPT AS NOTED)		SPRAGUE GOODMAN ELECTRONICS INC. 1700 SHAMES DRIVE WESTBURY, NY 11590	
DECIMAL: ±0.002 in ±0.051 mm	MATERIAL:	SCALE: 4:1	DRAWN BY: R. LEVIN APPROVED: D. DITLYA
FRACTIONAL: 1/64	TITLE: OUTLINE DWG SGNMA3T10005		USED FOR:
ANGULAR: 1°	DATE: 10/03/12	DRAWING NUMBER SGNMA3T10005	REV. 00