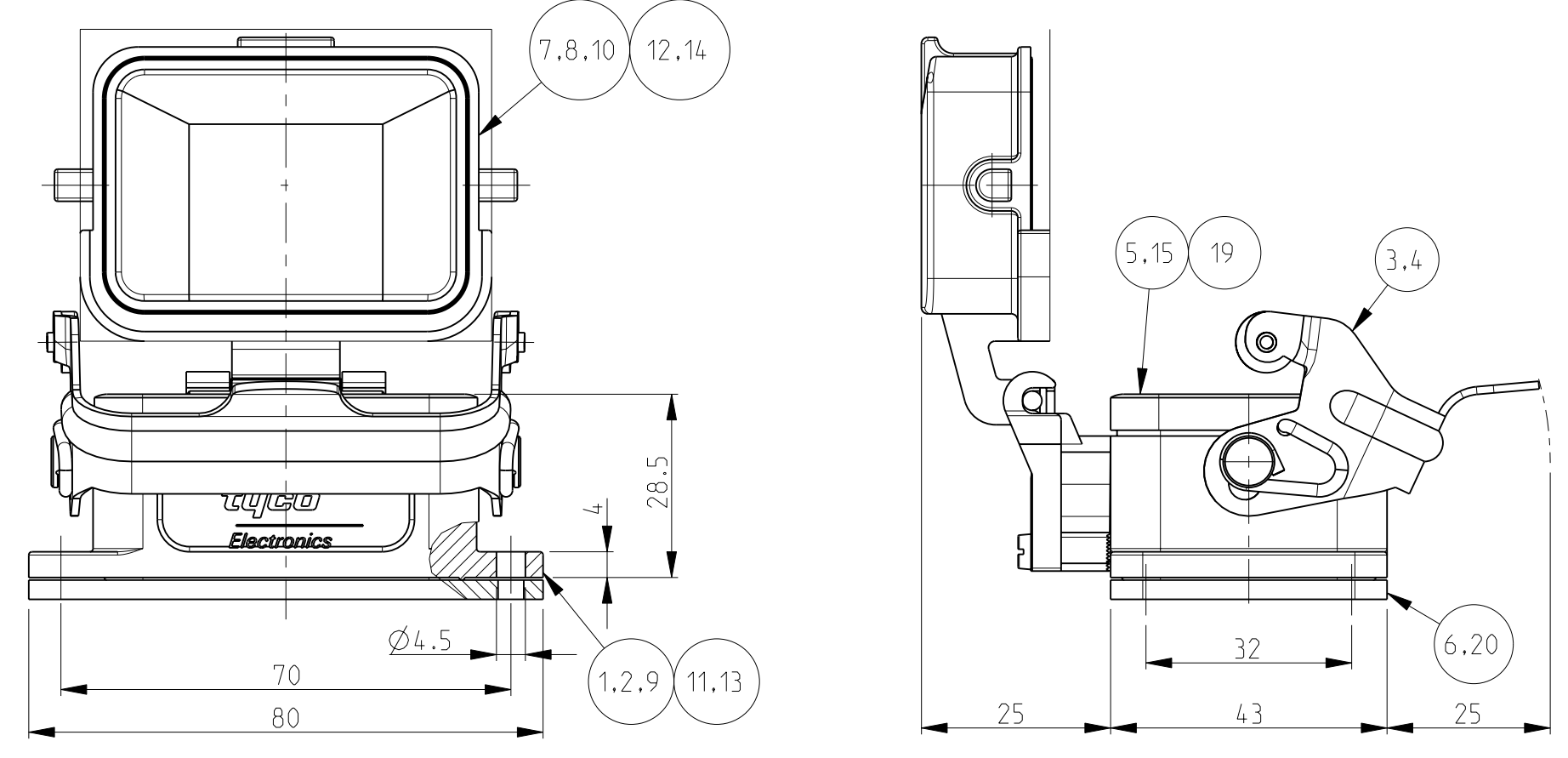


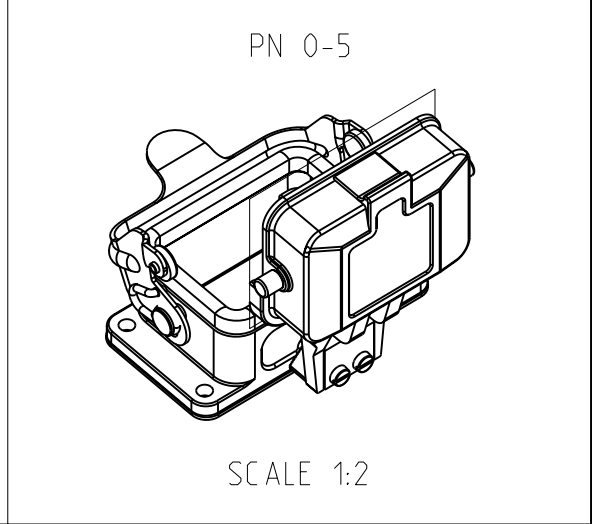
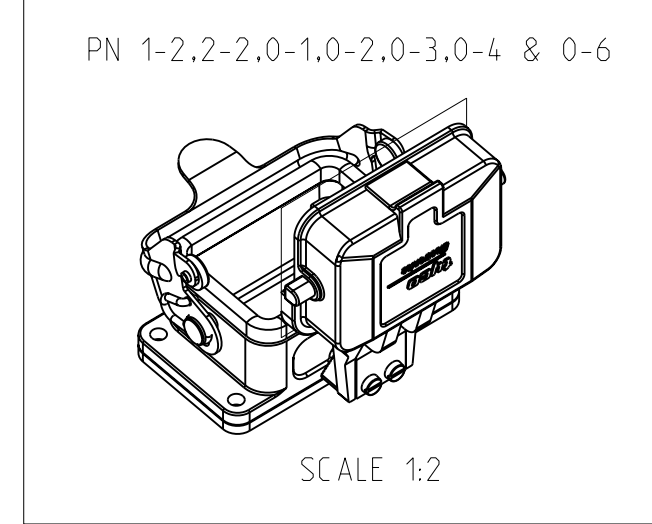
THIS DRAWING IS UNPUBLISHED. RELEASED FOR PUBLICATION .1997
COPYRIGHT 1997 BY TYCO ELECTRONICS CORPORATION. ALL RIGHTS RESERVED.

LOC	DIST	REVISIONS			
P	LTR	DESCRIPTION	DATE	DWN	APVD
A1		Released as per ECR-07-030425	17.12.07	SP	TS

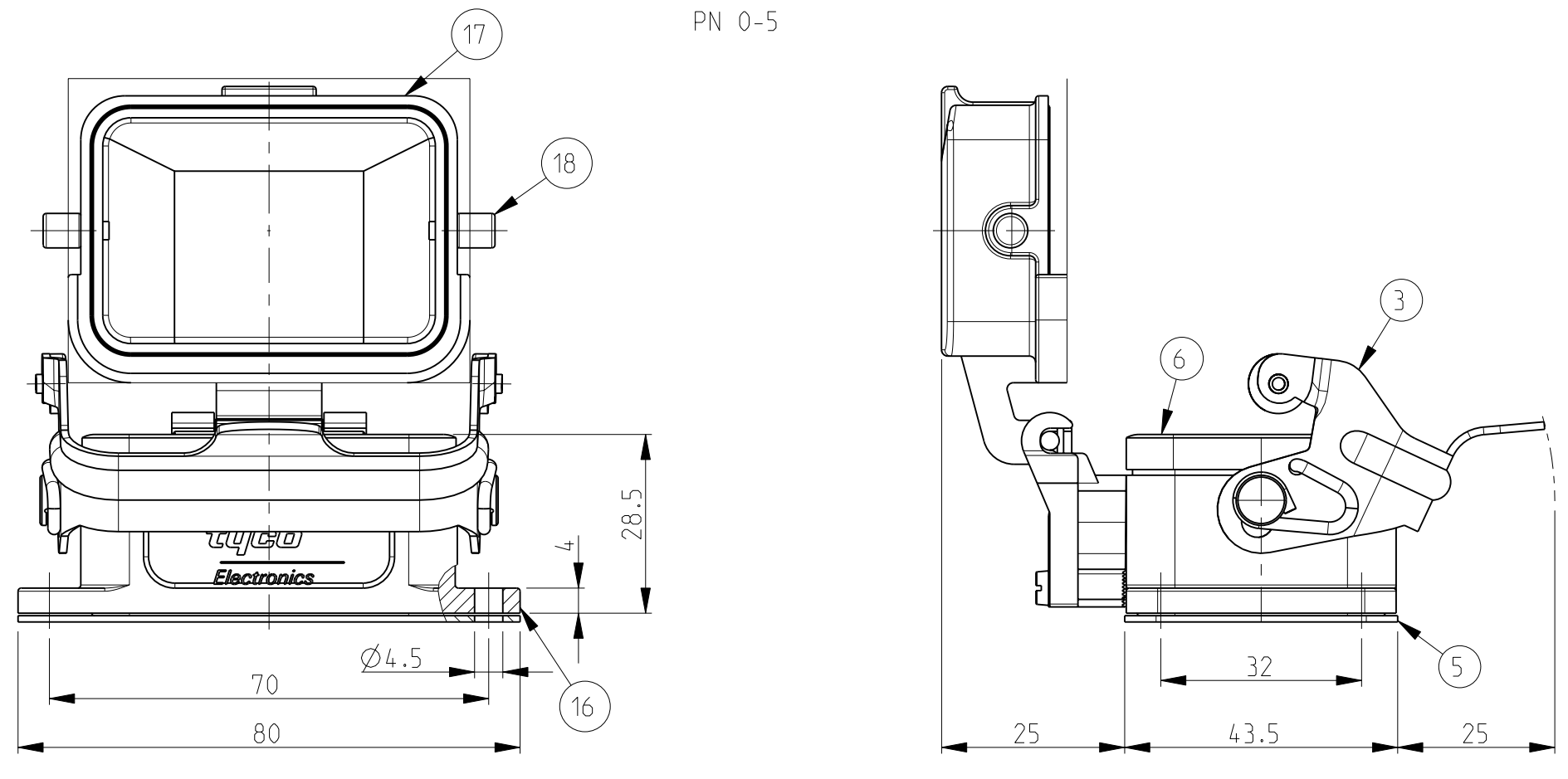
PN 1-2.2-2.0-1.0-2.0-3.0-4 & 0-6



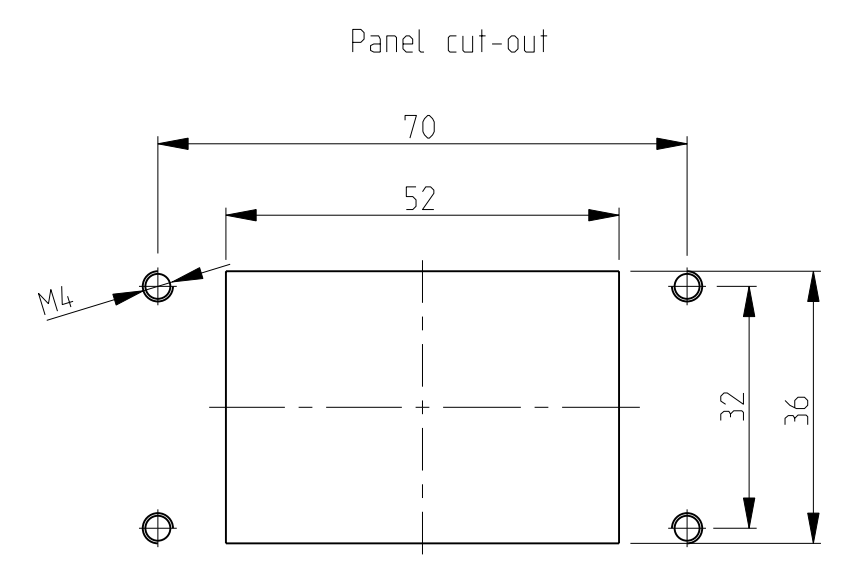
- NOTES.
- 1 Material:Housing:Aluminium Diecasting Alloy
Seals :Neoprene: Viton
 - 2 Surface: Varnish-Grey/fire-red /alu-colored
-Aluminium Oxide +
Varnish Black
ChromiAL TCP-Passivation
 - 3 Varnish on the inside not necessary
 - 4 Packaging
Quantity 5 Pieces in a box
 - 5 Without TE product sign
 - 6 Special Packaging
Quantity 50 Pieces in a Kanban box



PN 0-5



QTY	DESCRIPTION	MATERIAL	SURFACE	COLOR	ITEM NO	NOTES
1	Flange seal	Viton		Black	20	
1	Profile seal	Viton		Grey	19	
2	LB Clip bolt	Steel	Zinc plated	Blue	18	
1	Cover HB	Aluminium		Grey	17	Without TE logo
1	Surface mounted housing bottom entry HB	Aluminium		Grey	16	Without TE logo
1	Profile seal	Neoprene		Black	15	Conductive
1	Cover HB-EMV	Aluminium	SEE NOTE	Black	14	
1	Surface mounted housing bottom entry HB-EMV	Aluminium	SEE NOTE	Black	13	
1	Cover HB	Aluminium		Borning ried	12	
1	Surface mounted housing bottom entry HB	Aluminium		Borning ried	11	
1	Cover HB	Aluminium	Aluminium oxide	Alu-colored	10	
1	Surface mounted housing bottom entry HB	Aluminium	Aluminium oxide	Alu-colored	9	
1	Cover HB	Aluminium	Aluminium oxide	Black	8	
1	Cover HB	Aluminium		Grey	7	
1	Flange seal	Neoprene		Black	6	
1	Profile seal	Neoprene		Black	5	
1	LB-Side clip HB	Stainless steel	Blank		4	
1	LB-Side clip HB	Steel	Zinc plated	Blue	3	
1	Surface mounted housing bottom entry HB-K	Aluminium	Aluminium oxide	Black	2	
1	Surface mounted housing bottom entry HB	Aluminium		Grey	1	



QTY	DESCRIPTION	MATERIAL	SURFACE	COLOR	ITEM NO	NOTES
0-6	HB.6.AGD-LB					
0-5	HB-K.6.AGD-LB					
0-4	HB-K.6.AGD-LB					
0-3	HB.6.AGD-LB.KM					
0-2	HB.6.AGD-LB.KM					
0-1	HB-EMV.6.AGD-LB					
2-2	HB.6.AGD-LB					
1-2	HB.6.AGD-LB.V					

THIS DRAWING IS A CONTROLLED DOCUMENT FOR TYCO ELECTRONICS CORPORATION. IT IS SUBJECT TO CHANGE AND THE CONTROLLING ENGINEERING ORGANIZATION SHOULD BE CONTACTED FOR THE LATEST REVISION.

DWN: Schneider 23.09.1999
CHK: Schneider 23.09.1999
APVD: Schweiger

Tyco Electronics
Tyco Electronics,AMP.GmbH
D-53819,Neunkirchen,Germany

NAME: Surface mounted housing bottom entry HB.6.AGD-LB

PRODUCT SPEC: 108-74001/74003
APPLICATION SPEC: 114-74004/74005

SIZE: A2
CAGE CODE: 00779
DRAWING NO: 1102246
RESTRICTED TO: -

CUSTOMER DRAWING
SCALE: 1:1
SHEET: 1 OF 1
REV: A9