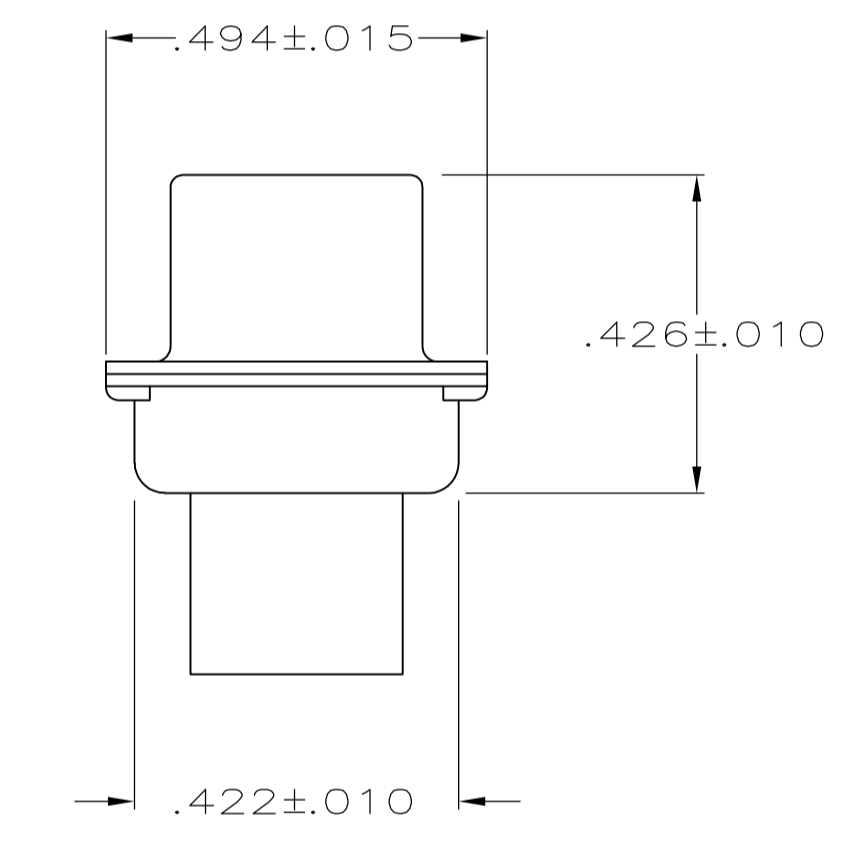
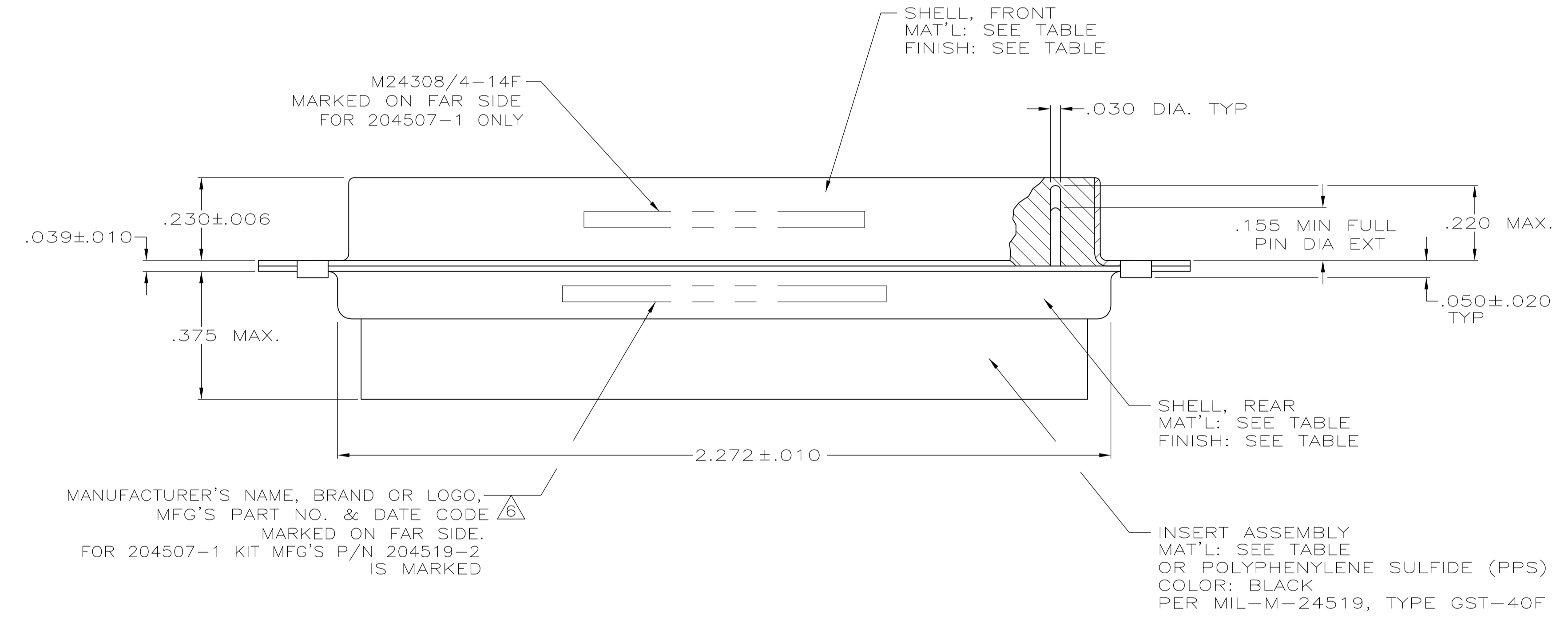
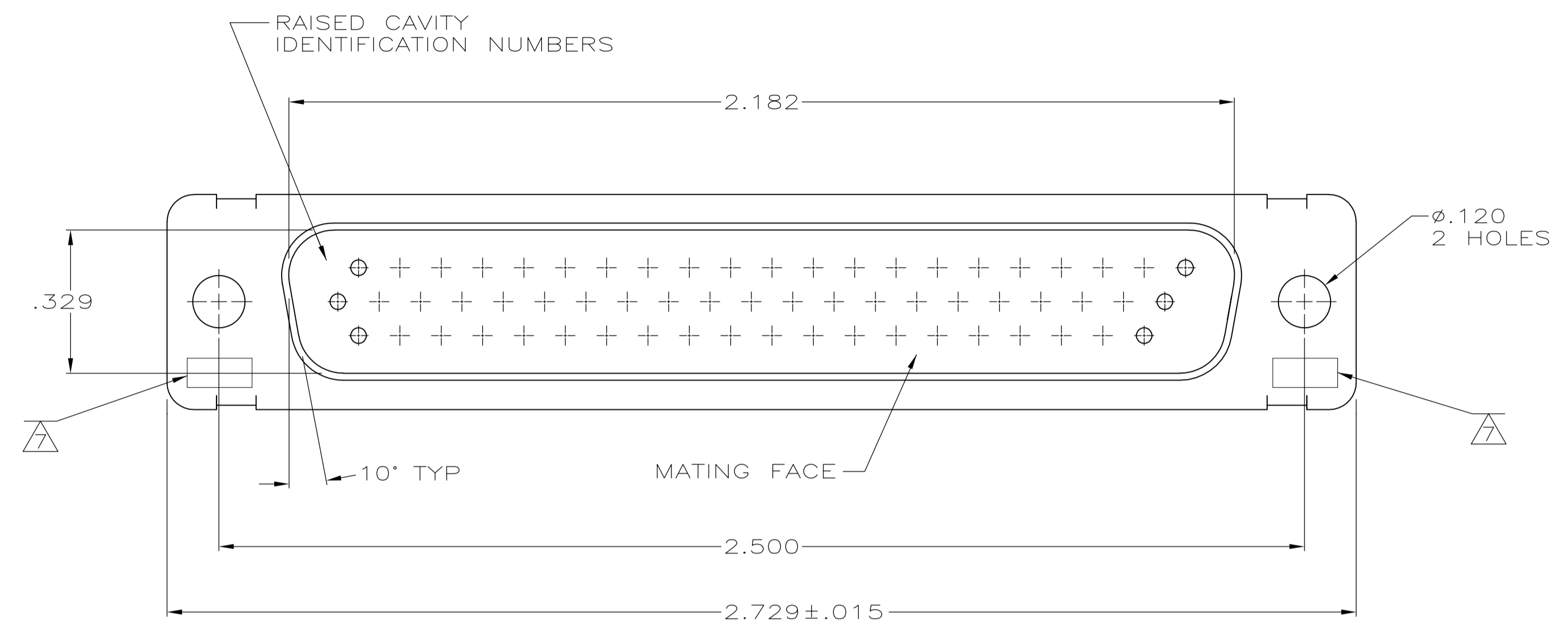


LOC		DIST		REVISIONS			
DF	DO	P	LTR	DESCRIPTION	DATE	DMN	APVD
		V		REVISED PER ECO-09-013174	30-03-09	CT	RL

1. THIS PLUG IS DESIGNED TO CONFORM TO THE LATEST ISSUE OF MIL-C-24308.
  2. MAX WIRE INSUL. TO BE USED WITH THIS PLUG IS .054 DIA.
  3. METAL RETENTION CLIPS ARE INCLUDED IN INSERTS.
  4. PACKAGE STAMPED M 24308/4-267F.
  5. THIS PLUG WILL ACCEPT SIZE 22 PIN CONTACT M 39029/58-360 OR ANY TYCO HDD-22 PIN CONTACT
- ⑥ MFG'S PART NO. STAMPED ON CONNECTOR KIT NUMBER WITH CONTACTS FOR 204507-1 ONLY.
  - ⑦ UL/CSA DESIGNATION STAMPED IN THIS AREA, OPTIONAL.
  - ⑧ P/N'S 204507-4, -5, & 5--4 HAVE GROUNDING INDENTS ON FRONT SHELL, NOT SHOWN ON DRAWING.
  - ⑨ FINISH: BRIGHT TIN PER ASTM-B-545 .000400-.000550 THK OVER COPPER PER AMS2418, .000050 MIN THK.



⑧	BRIGHT TIN PER ASTM-B-545	STEEL, CLASS G	GST-40F PER MIL-M-24519	5-204507-4
⑨		STEEL, CLASS G	GST-40F PER MIL-M-24519	204507-6
⑧	⑨	STEEL, CLASS G	GST-40F PER MIL-M-24519	204507-5
⑧	BRIGHT TIN PER ASTM-B-545	STEEL, CLASS G	GST-40F PER MIL-M-24519	204507-4
SUPSD BY 204507-1	CADMIUM PER QQ-P-416	STEEL, CLASS G	GST-40F PER MIL-M-24519	204507-3
SUPSD BY 206502-4	CADMIUM PER QQ-P-416	BRASS	GST-40F PER MIL-M-24519	204507-2
	CADMIUM PER QQ-P-416	STEEL, CLASS G	GST-40F PER MIL-M-24519	204507-1
	SHELL FINISH	SHELL MAT'L	INSERT MAT'L	PART NO.

THIS DRAWING IS A CONTROLLED DOCUMENT. DIMENSIONS: INCHES. TOLERANCES UNLESS OTHERWISE SPECIFIED: 0 PLC ± .005, 1 PLC ± .005, 2 PLC ± .005, 3 PLC ± .005, 4 PLC ± .005, ANGLES ± 0°30'.

THIS DRAWING IS A CONTROLLED DOCUMENT. DIM: C.C. THOMAS 01DEC87, CHK: F.C. BALLEW 25JAN88, APVD: F.C. BALLEW 25JAN88. Tyco Electronics Corporation, Harrisburg, PA 17105-3608.

NAME: AMPLIMITE PLUG FOR PIN CONTACTS HI-DENSITY D CONNECTOR SIZE 4 (62 POSN) SERIES 90. SIZE: A1, CASE CODE: 00779, DRAWING NO: 204507. WEIGHT: -. RESTRICTED TO: -. CUSTOMER DRAWING. SCALE: 4:1, SHEET: 1 OF 1, REV: V.