

Universal current transducer - MCR-SL-CUC-100-I - 2308027

Please be informed that the data shown in this PDF Document is generated from our Online Catalog. Please find the complete data in the user's documentation. Our General Terms of Use for Downloads are valid (<http://phoenixcontact.com/download>)




Universal current transducer, for measuring AC, DC, and distorted currents, 0 ... 100 A input current, 4 ... 20 mA output

Why buy this product

- ✓ Variable mounting on DIN rail and mounting plate
- ✓ Compact dimensions also enable distributed use
- ✓ Simple connection technology thanks to COMBICON plug-in connection terminal blocks
- ✓ 3-way isolation
- ✓ Universal current measurement, no shunt required

RoHS

Key Commercial Data

Packing unit	1 STK
GTIN	 4 046356 433808
GTIN	4046356433808

Technical data

Dimensions

Primary round conductor (diameter)	32 mm
Width	90 mm
Height	33.8 mm
Depth	85 mm

Ambient conditions

Ambient temperature (operation)	-40 °C ... 65 °C
Ambient temperature (storage/transport)	-40 °C ... 85 °C

Input data

Number of inputs	1
Input current range	0 A ... 100 A

Universal current transducer - MCR-SL-CUC-100-I - 2308027

Technical data

Input data

Overload capacity	6 x I _{IN}
Frequency measuring range	20 Hz ... 6000 Hz (0 Hz)
Connection method	Cable design: 32 mm diameter
Rated frequency: Standard converter	20 Hz ... 6000 Hz
Primary rated current I _{pn}	100 A

Output data

Output name	Current output
Current output signal	4 mA ... 20 mA
Max. output current	< 25 mA
Load/output load current output	< 300 Ω
Connection method	Screw connection

Switching output

Output name	No switching output
-------------	---------------------

Power supply

Nominal supply voltage	24 V DC
Supply voltage range	20 V DC ... 30 V DC
Max. current consumption	(30 + I _{OUT}) mA
Power consumption	1.65 W

Connection data

Conductor cross section solid min.	0.25 mm ²
Conductor cross section solid max.	2.5 mm ²
Conductor cross section AWG min.	24
Conductor cross section AWG max.	12
Conductor cross section flexible min.	0.2 mm ²
Conductor cross section flexible max.	2.5 mm ²
Stripping length	10 mm

General

Accuracy class	1
Maximum transmission error	≤± 1 % (of final value)
Temperature coefficient, typical	0.02 %/K (0 ... 60 °C)
	0.04 %/K (-40 °C ... 65 °C)
Linearity error	≤± 1 % (From the range end value)
Step response (10-90%)	150 ms
Overvoltage category	III
Degree of pollution	2
Rated insulation voltage	300 V AC
Test voltage input/output	3.5 kV (50 Hz, 1 min.)
Test voltage input/power supply	3.5 kV (50 Hz, 1 min.)

Universal current transducer - MCR-SL-CUC-100-I - 2308027

Technical data

General

Noise emission	EN 61000-6-4
Noise immunity	EN 61000-6-2
Color	green
Housing material	Franyl B63 V0 GV30
Conformance	CE-compliant
UL, USA/Canada	UL/C-UL listed UL 508

Standards and Regulations

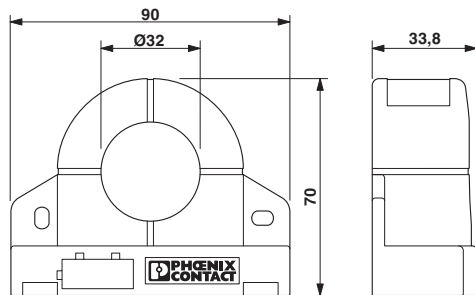
Noise emission	EN 61000-6-4
Noise immunity	EN 61000-6-2
Conformance	CE-compliant
UL, USA/Canada	UL/C-UL listed UL 508

Environmental Product Compliance

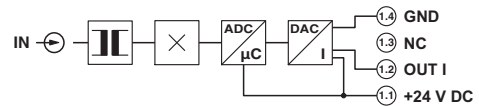
China RoHS	Environmentally Friendly Use Period = 25;
	For details about hazardous substances go to tab "Downloads", Category "Manufacturer's declaration"

Drawings

Dimensional drawing

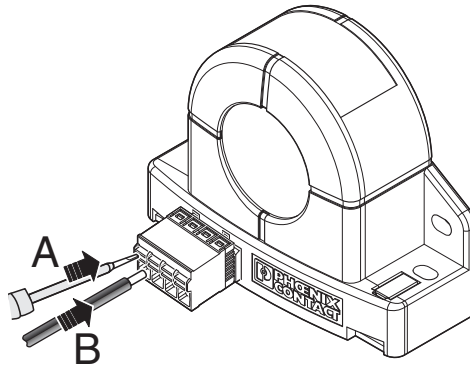


Circuit diagram



Universal current transducer - MCR-SL-CUC-100-I - 2308027

Schematic diagram



Approvals

Approvals

Approvals

UL Listed / cUL Listed / EAC / cULus Listed

Ex Approvals

Approval details

UL Listed		http://database.ul.com/cgi-bin/XYV/template/LISEXT/1FRAME/index.htm	FILE E 123528
-----------	--	---	---------------

cUL Listed		http://database.ul.com/cgi-bin/XYV/template/LISEXT/1FRAME/index.htm	FILE E 123528
------------	--	---	---------------

EAC			RU C- DE.A*30.B.01082
-----	--	--	--------------------------

cULus Listed			
--------------	--	--	--

Phoenix Contact 2018 © - all rights reserved
<http://www.phoenixcontact.com>

PHOENIX CONTACT GmbH & Co. KG
Flachsmarktstr. 8
32825 Blomberg
Germany
Tel. +49 5235 300
Fax +49 5235 3 41200
<http://www.phoenixcontact.com>