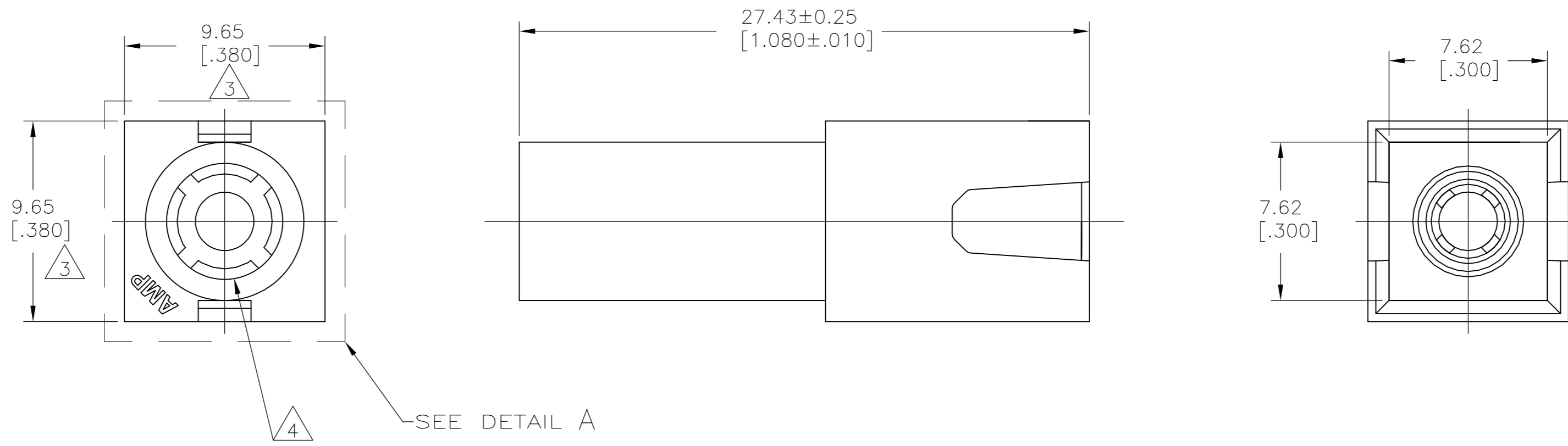
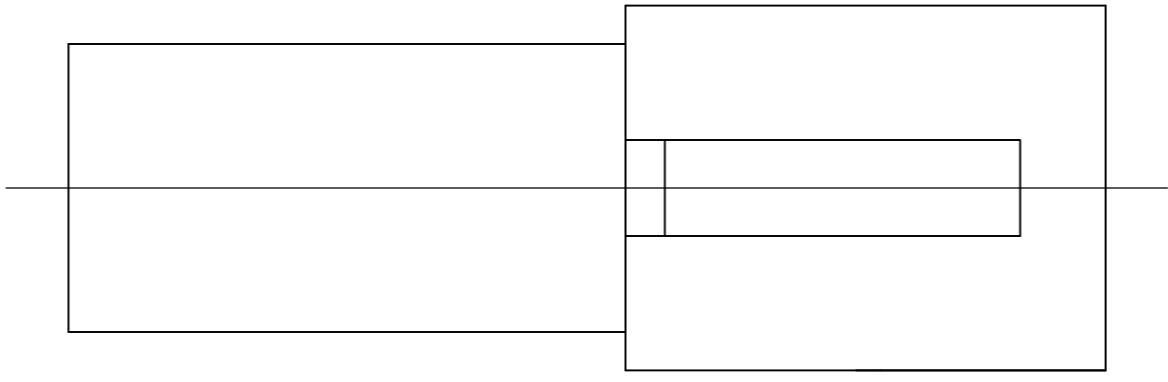


THIS DRAWING IS UNPUBLISHED. RELEASED FOR PUBLICATION
 © COPYRIGHT - By - ALL RIGHTS RESERVED.

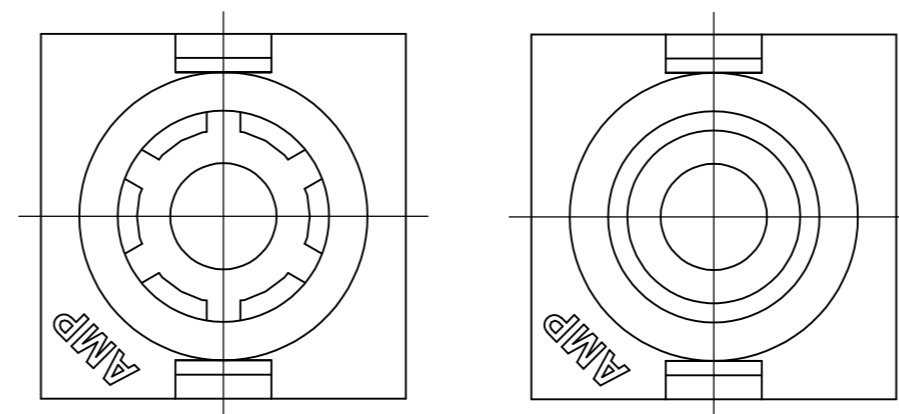
LOC	DIST	REVISIONS			
P	LTR	DESCRIPTION	DATE	DWN	APVD
CM	53	P2	REVISED PER ECO-11-004917	11MAR11	RK HMR



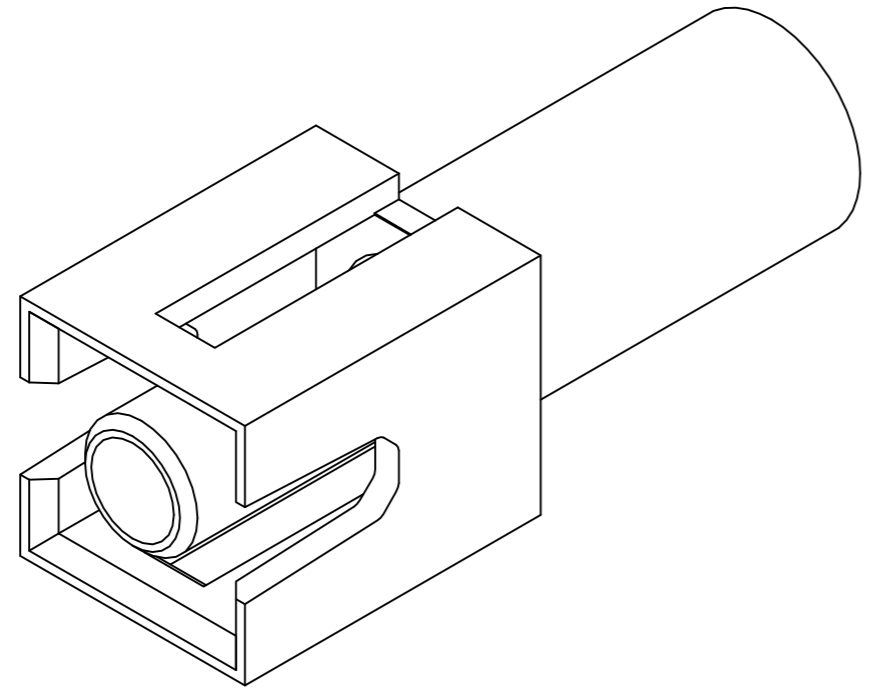
SEE DETAIL A



- 1 MATES WITH HOUSING 350865.
- 2 DIMENSIONS IN BRACKETS ARE IN INCHES.
- 3 DIMENSION INDICATED IS AS MOLDED. ADDITIONAL GROWTH DUE TO SUBSEQUENT MOISTURE ABSORPTION MAY OCCUR.
- 4 FOUR RIBS EQUALLY SPACED, NO SPECIFIC ORIENTATION. NO RIBS OR SIX RIBS EQUALLY SPACED, NO SPECIFIC ORIENTATION, OPTIONAL.

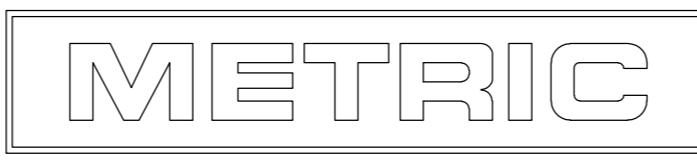


DETAIL A
OPTIONAL CONSTRUCTIONS



3-DIMENSIONAL MODEL NTS

RED	350866-2
-	350866-1
COLOR	PART NO.



THIS DRAWING IS A CONTROLLED DOCUMENT.		DWN	K. WHITAKER	8-12-91		TE Connectivity		
DIMENSIONS: mm [INCHES]		CHK	R. SWING	8-12-91		CAP, SINGLE CIRCUIT, UNIVERSAL MATE-N-LOK™		
TOLERANCES UNLESS OTHERWISE SPECIFIED:		APVD	D. SELF	8-12-91		SIZE	CAGE CODE	DRAWING NO
0 PLC ± - 1 PLC ± - 2 PLC ± 0.13 [.005] 3 PLC ± - 4 PLC ± - ANGLES ± -		PRODUCT SPEC	-			A2	00779	C=350866
MATERIAL: NYLON, UL 94V-0		FINISH	-		WEIGHT	-		RESTRICTED TO
		CUSTOMER DRAWING		SCALE	5:1	SHEET	1 of 1	REV P2