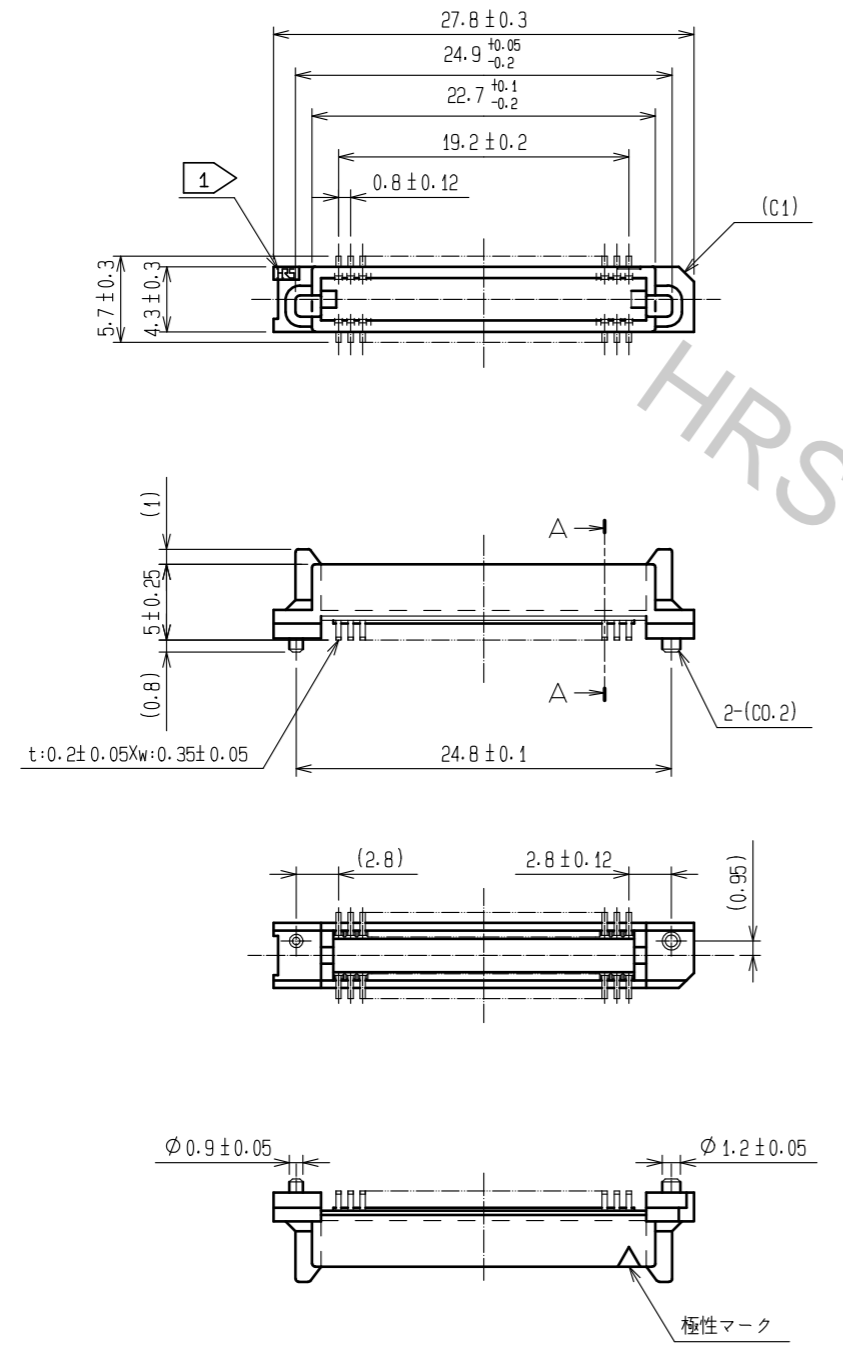
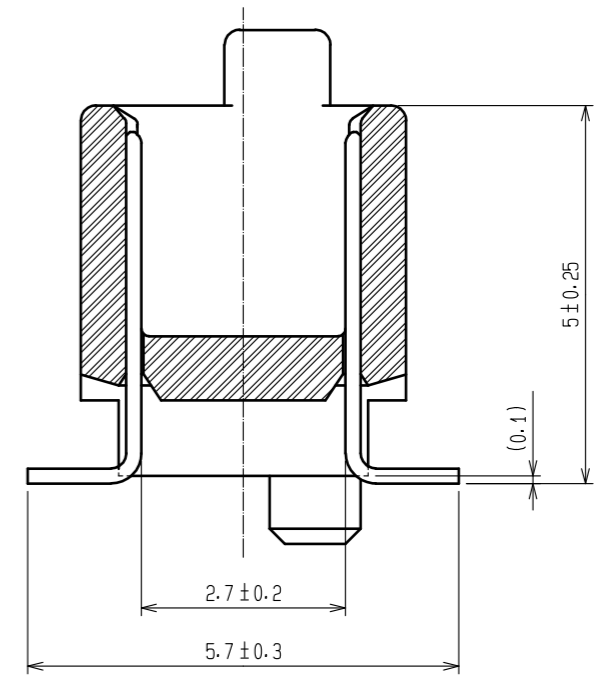


Apr.1.2017 Copyright 2017 HIROSE ELECTRIC CO., LTD. All Rights Reserved.

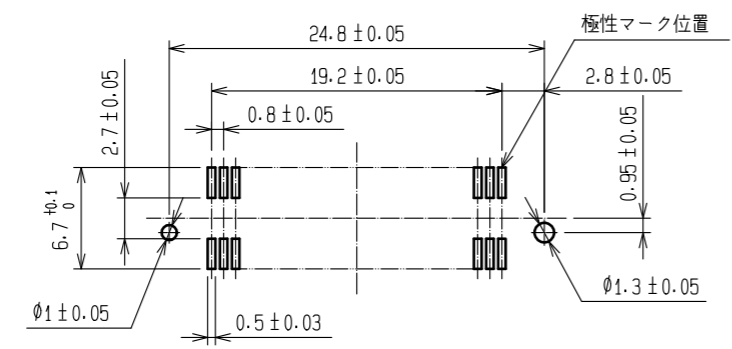


A-A (10:1)



- NOTE
- 1 HRS MARK SHALL BE OPTIONAL.
  - 2 LEAD CO-PLANARITY SHALL BE 0.1mm MAX.
  - 3 EMBOSSED CARRIER TAPE PACKAGING SHALL BE APPLIED TO THIS PRODUCT. SEE NEXT PAGE FOR DETAILS.
  - 4 FOR MODIFICATOIN, ETC. PREVENTIVE HOLE FOR SINK MARK MAY BE ADDED ACCORDING TO CIRCUMSTANCES.
  - 5 THE DIMENSIONS IN PARENTHESSES ARE FOR REFERENCE.
  - 6 1 REEL : 1000CONNECTORS.

RECOMMENDED LAND PATTERN DIMENSION OF PCB(MOUNTING SIDE)

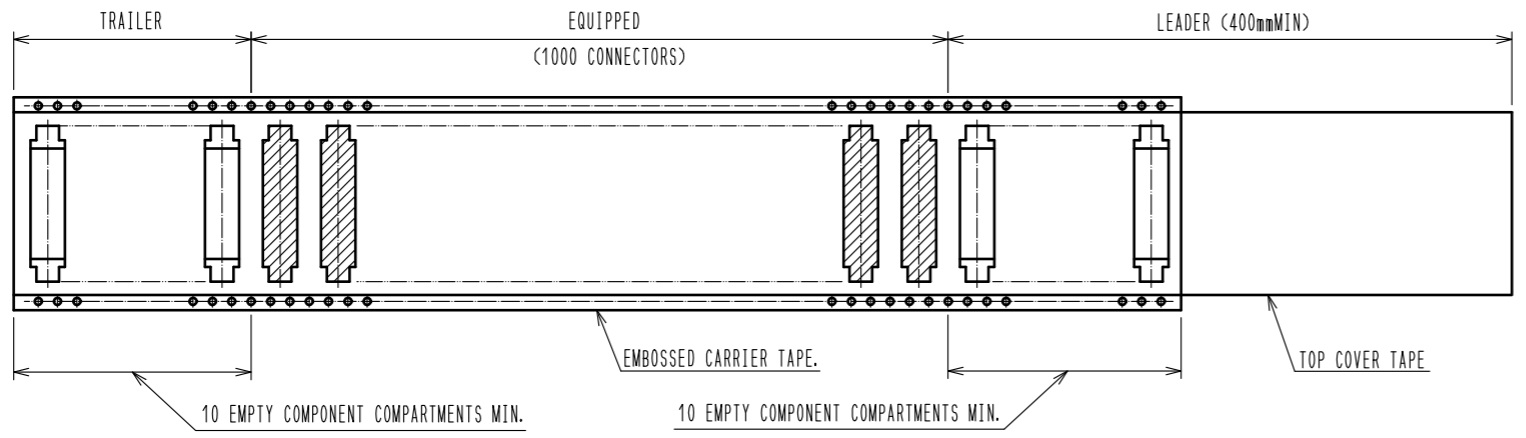
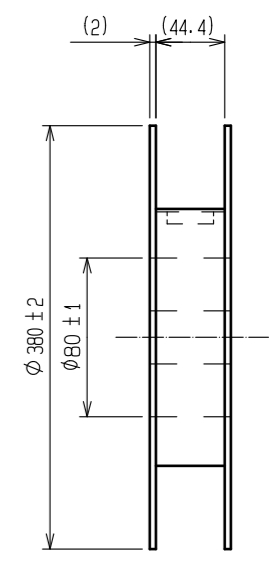
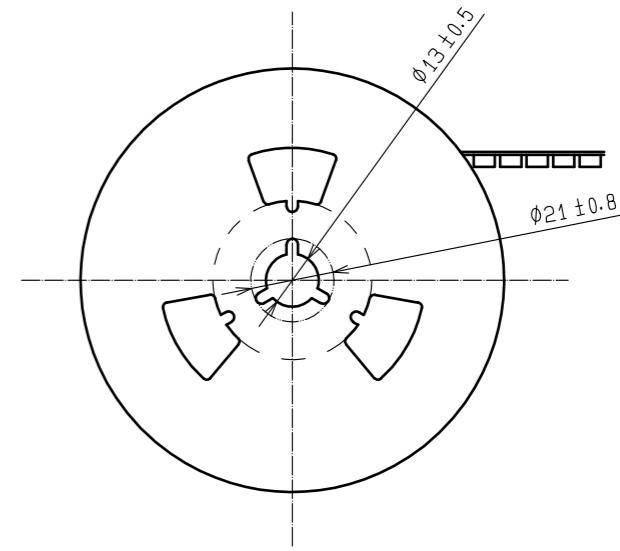
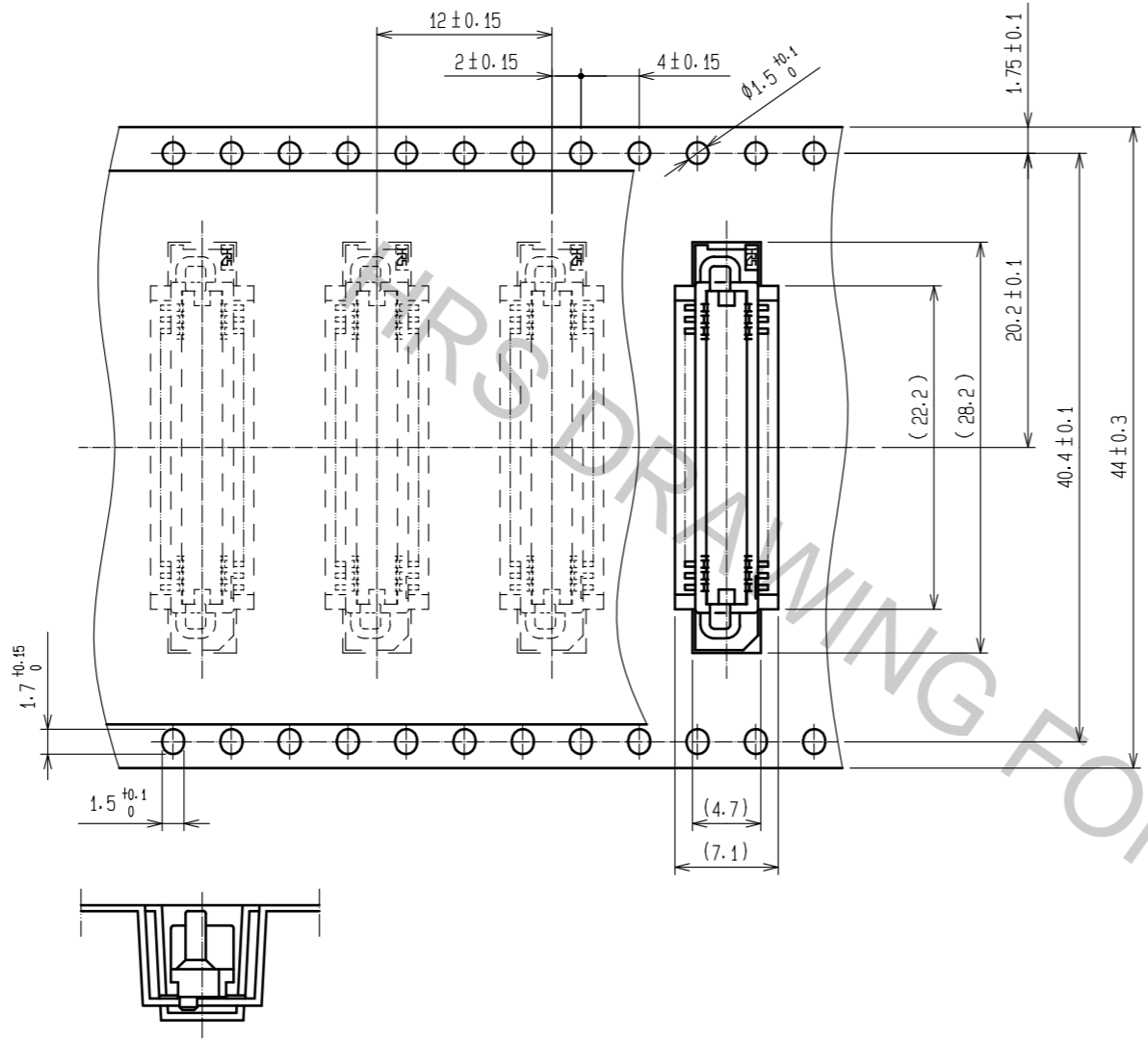
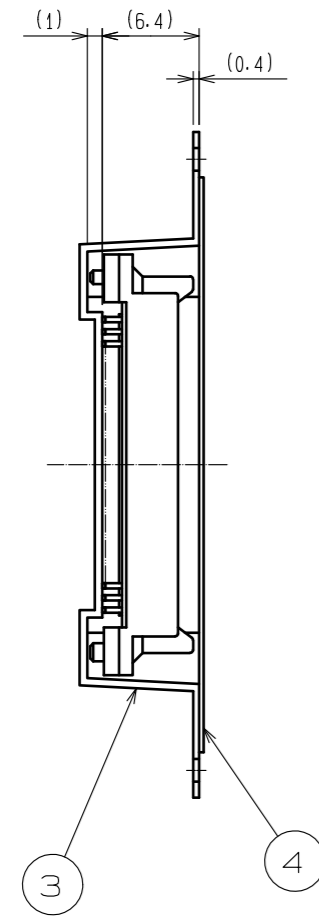


2 PHOSPHOR BRONZE		CONTACT AREA : GOLD 0.1µm min.						
		LEAD AREA : TIN-PLATING 1µm min.						
		UNDER PLATING : NICKEL 1µm min.		4	POYESTER			
1 PPS		LIGHT BROWN, UL94V-0		3	POLYSTYRENE			
				EMBOSSD CARRIER TAPE				
NO.	MATERIAL	FINISH .	REMARKS	NO.	MATERIAL	FINISH .	REMARKS	
UNITS	mm	SCALE	2 : 1	COUNT	DESCRIPTION OF REVISIONS	DESIGNED	CHECKED	DATE
HRS HIROSE ELECTRIC CO., LTD.		APPROVED	: NH. NAKATA	16.09.01	DRAWING NO.	EDC-071638-92-00		
		CHECKED	: HT. YAMAGUCHI	16.09.01	PART NO.	FX6-50P-0.8SV1(92)		
		DESIGNED	: KN. YAMAZAKI	16.09.01	CODE NO.	CL576-0024-9-92		
		DRAWN	: KN. YAMAZAKI	16.09.01		1/2		

Apr.1.2017 Copyright 2017 HIROSE ELECTRIC CO., LTD. All Rights Reserved.

UNREELING DIRECTION

REEL DIMENSION (FREE)



<b>HRS</b>	DRAWING NO.	EDC-071638-92-00	2/2
	PART NO.	FX6-50P-0.8SV1(92)	
	CODE NO.	CL576-0024-9-92	