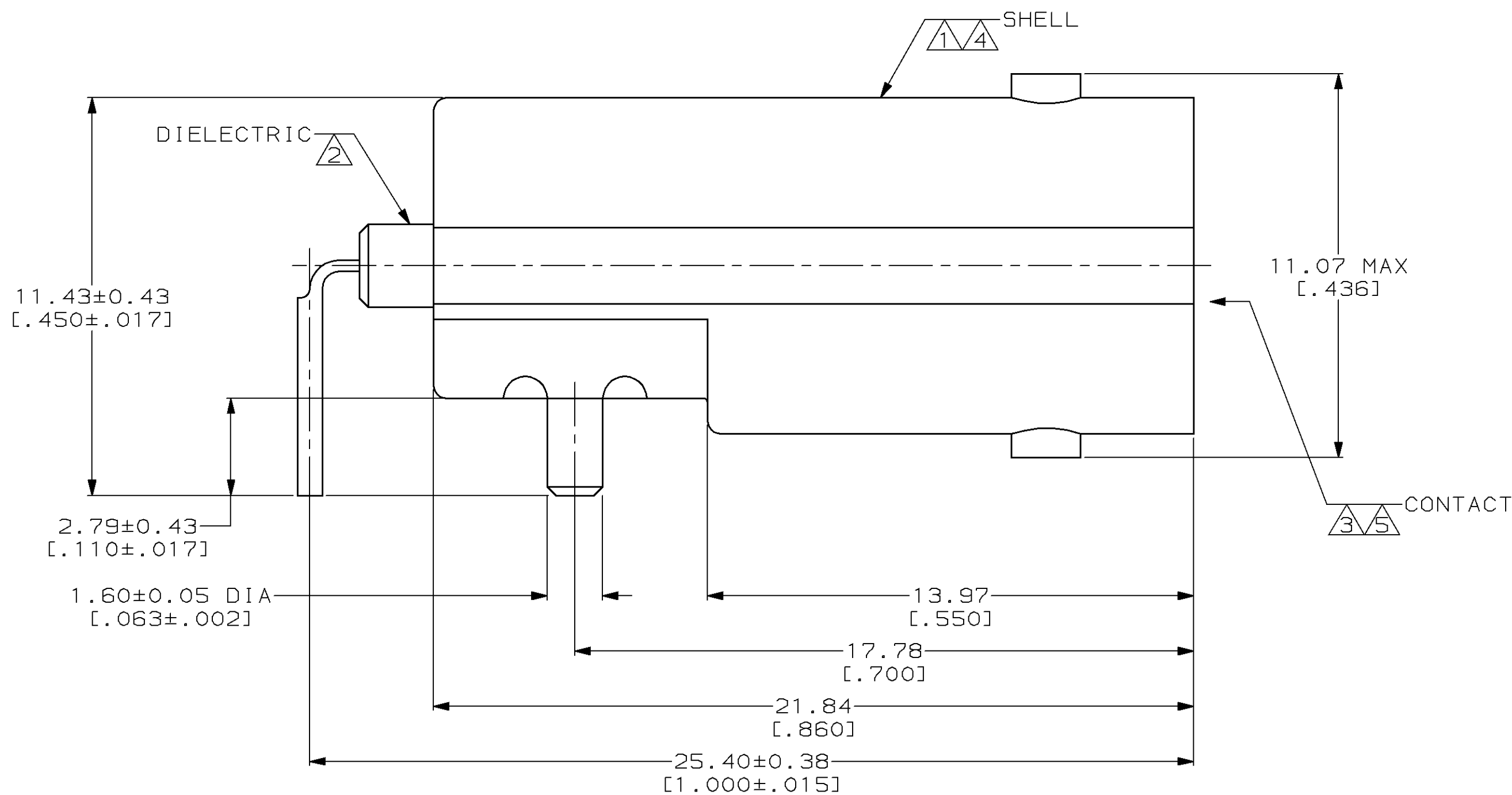
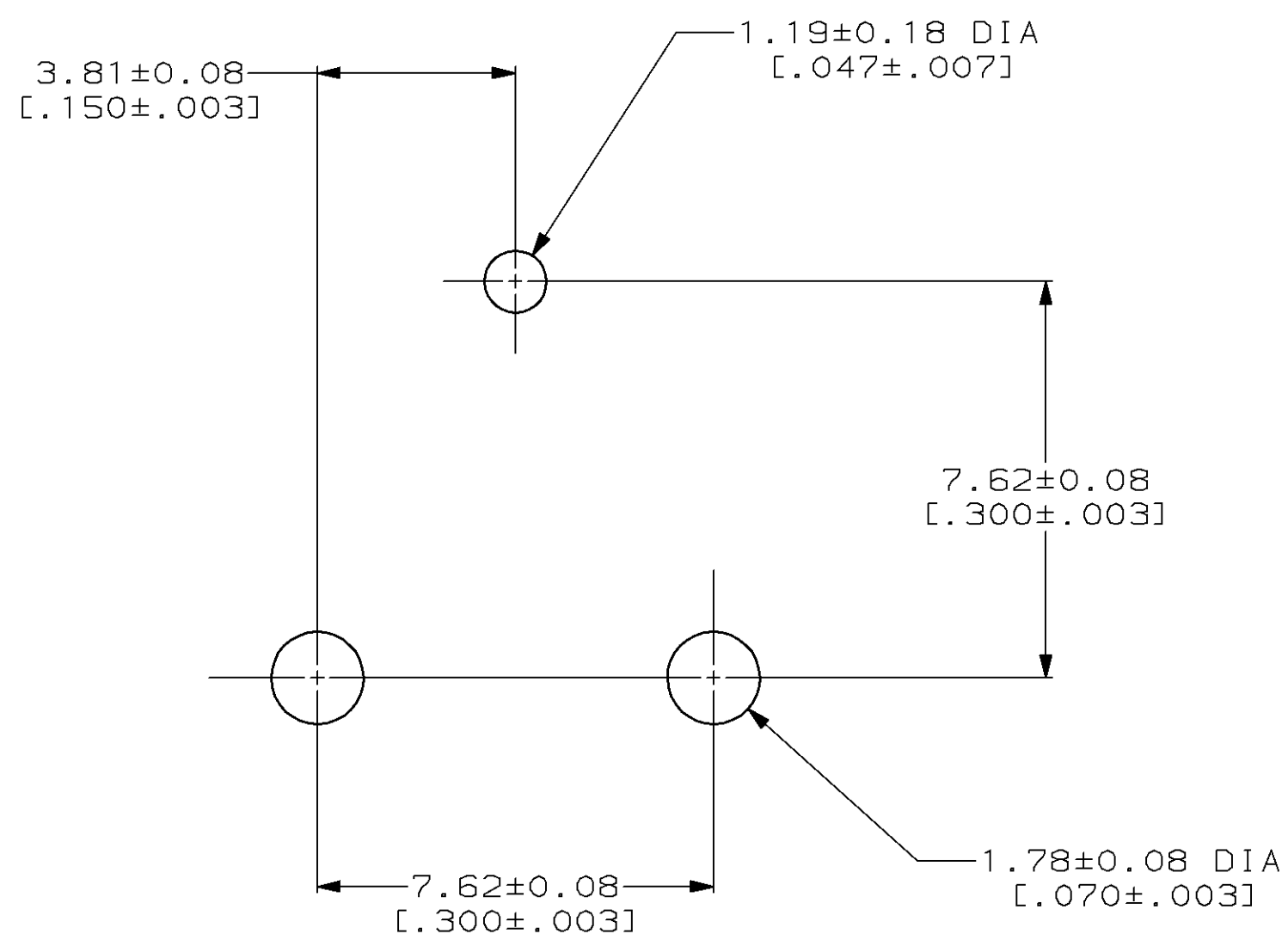


LOC	DIST	P	F	ZONE	LTR	DESCRIPTION	DATE	APPD
AJ	16				0	RLSE -2 PER 98-3137-043 & 0630-0373-98	9-22-98	JL



- ① ZINC PER QQ-Z-363.
- ② POLYMETHYLPENTENE, GENERAL PURPOSE.
- ③ PHOSPHOR BRONZE PER QQ-B-750.
- ④ NICKEL PLATE PER QQ-N-290, 3.81 μm [.000150] MINIMUM THICK.
- ⑤ GOLD PLATE PER MIL-G-45204, 0.76 μm [.000030] MINIMUM THICK.



SUGGESTED PCB CONFIGURATION

THIS DRAWING IS A CONTROLLED DOCUMENT FOR AMP INCORPORATED. IT IS SUBJECT TO CHANGE AND THE CONTROLLING ENGINEERING ORGANIZATION SHOULD BE CONTACTED FOR THE LATEST REVISION.

DO NOT SCALE PRINT. UNLESS SPECIFIED DIMENSIONS IN mm [INCHES] TOLERANCES ON : 2 PLC DEC ± 0.13 [.005] 3 PLC DEC ± - ANGLES ± 5°		DR 9-3-98 J. LIPPERT	AMP Incorporated Harrisburg, PA 17105-3608	
MATERIAL SEE NOTES 1 THRU 3		CHK 9-22-98 J. LIPPERT		
FINISH SEE NOTES 4 & 5		APPD 9-22-98 J. LIPPERT	SIZE C	CAGE CODE 00779
		APPD 9-22-98 J. LIPPERT	DRAWING NO C=1274127	SHEET 1 OF 1
		PRODUCT SPEC -	SCALE 8:1	
		APPLICATION SPEC -		
		WEIGHT -		

1274127-1

PART NO