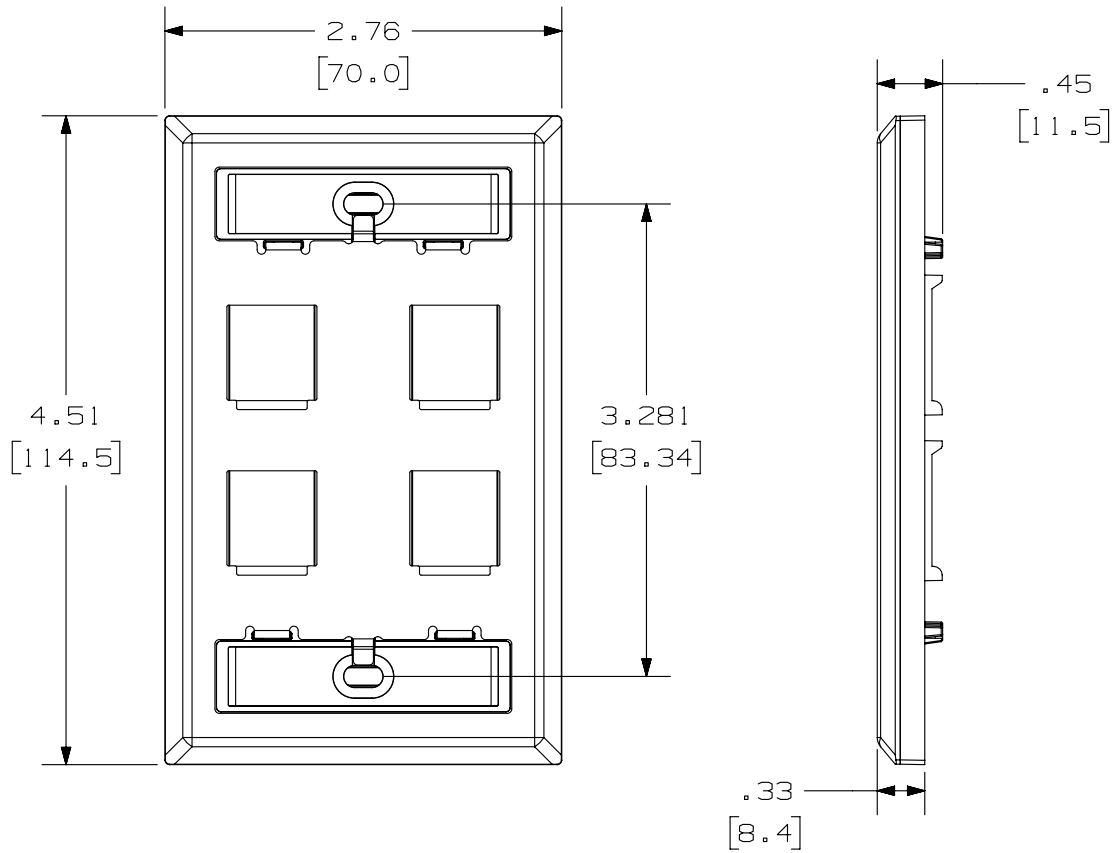


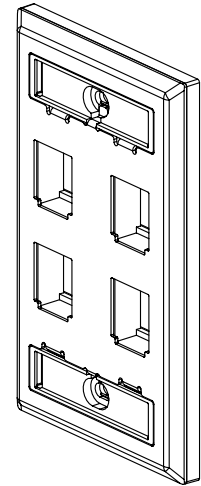
THIS COPY IS PROVIDED ON A RESTRICTED BASIS AND IS NOT TO BE USED IN ANY WAY DETRIMENTAL TO THE INTERESTS OF PANDUIT CORP.



PANDUIT P/N	WEIGHT
NKF4S	.92 LB/10 PCS (417.3g/10 PCS)

NOTES:

- SEE CURRENT CATALOG FOR ADDITIONAL PART NUMBER SUFFIXES TO INDICATE COLOR AND OR PACKAGE QUANTITY.
- SEE CATALOG FOR COMPLETE LIST OF PARTS APPLICABLE FOR USE WITH THIS PART.
- DIMENSIONS IN [ ] ARE IN METRIC.
- PART INCLUDES:
  - 1- FACEPLATE
  - 2- #6-32 X 1" MOUNTING SCREWS
  - 2- LABEL
  - 2- LABEL COVER



PART NUMBER		NKF4S	
TITLE			
NETKEY 4 POSITION STAINLESS STEEL FACEPLATE WITH LABEL/COVER			
CUSTOMER DRAWING			
ITEM REVISION NAME		M02423AB/00	
DATASET FILE NAME		M02423AB_DC/00C	
UNLESS OTHERWISE SPECIFIED, DIMENSIONAL TOLERANCES ARE: IN (mm)		MATERIAL:	
.x ± .xxx ± .010 (.3)		FACEPLATE: S.S.	
.xx ± .03 (.8)		BACKING: ABS	
ANGLES ±		DRAWING NUMBER:	
THIRD ANGLE PROJECTION		02423-03	
DRAWN BY	DATE	CHK	SCALE
JSP	3-16-06	MJD	NONE
SHT 1 OF 1			SIZE
			A

REV	DATE	BY	CHK	APR	DESCRIPTION	ECN
2	5/19/14	JSP	REFR	JCK	REVISED AND REDRAWN, PREVIOUS REVISIONS HAVE BEEN OMITTED.	02423-03

D10100DA/14