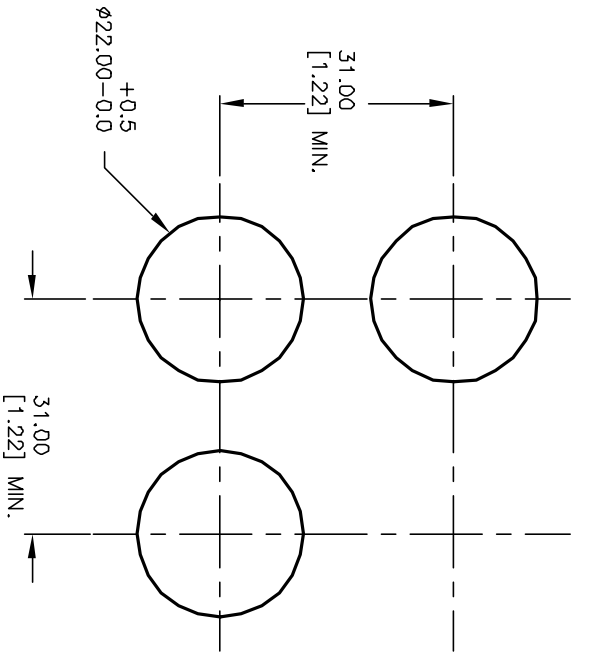


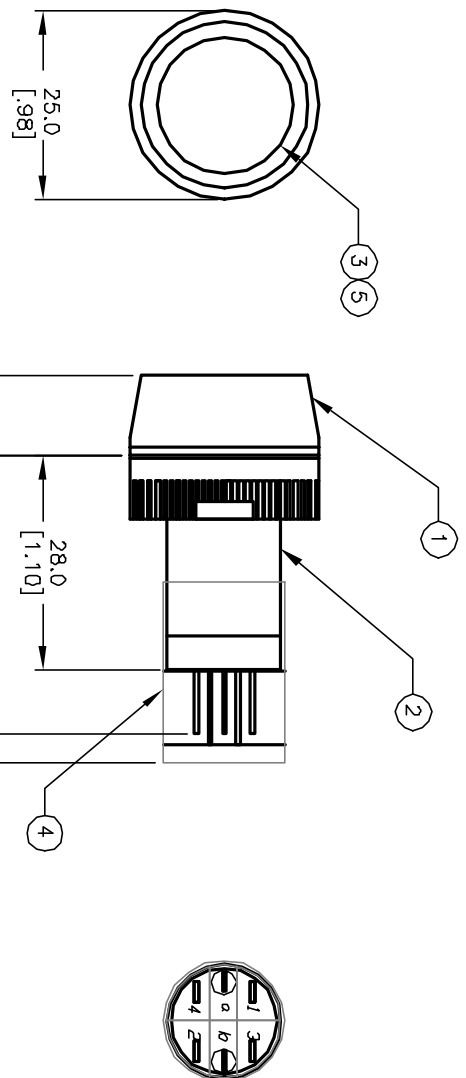
Item	Qty.	Dwg. No.	Part No.
1	1	F051702	25mm RING FOR LA SERIES
2	1	F060621	LAKOAV110 (BODY)
3	1	F060254	25mm GREEN LENS
4	-	SUPPLIED	P16 PLASTIC TERMINAL PROTECTOR
5	1	F050416	50-004-16 (GREEN LED)



RECOMMENDED PANEL MOUNTING

1 0 1 0 2  
3 0 0 4  
a-L-b (+)

SPST  
CONTACT CONFIGURATION



- NOTES:
1. ALL DIMENSIONS IN MM
  2. GENERAL TOLERANCE: X.X=±0.4  
X.XX=±0.25
  3. RATINGS: 5A @250V AC;  
8A @125V AC
  4. CONTACT MATERIAL:  
COPPER ALLOY W/Silver Plating
  5. LAMP VOLTAGE: 6V DC

REV.	ECN No.	DESCRIPTION	DATE	CHKD	AR
A	13100	RELEASED FOR PRODUCTION	5/1/03		AR

TITLE	SCALE	DATE	DR	DWG	REV
LAKOAV11HGRNGRN	1:1	5/1/03	AR	XF0553P	A

**E-SWITCH®**

THE INFORMATION CONTAINED IN THIS DOCUMENT IS PROPRIETARY TO E-SWITCH AND IS NOT TO BE COPIED OR TRANSFERRED