



## 10W Medical Grade Adapter with Interchangeable Plugs\*



\*Plugs sold separately

### Features

- Meets DoE Level VI and CoC V Tier 2
- Field Changeable AC Plugs
- IEC60601-1:2005+a:2012 2xMOPP approved
- IEC60601-1-2 Ed4 2014 compliant
- Meets type BF requirements
- LPS compliant
- OVP, OCP, SCP, OTP, brown-in and brown-out protections

### Applications

- Home healthcare equipment
- Patient monitor
- Blood pressure system
- Portable medical devices
- ECG machine
- Respirator
- Beauty care electronics

### Safety Approvals

- UL 60601-1
- IEC 60601-1

### Mechanical Characteristics

- Length: 50mm (1.97in)
- Width: 71.7mm (2.82in)
- Height: 40mm (1.57in)

### Output Specifications

Model	DC Output Voltage	Load		Ripple <sup>(1)</sup> P-P (max.)	Regulation Line & Load	Efficiency Level	Case Color
		Min.	Max.				
PMA10R-050AW	5V	0A	2A	100mV	±5%	VI	White

(1) Test by 20Mhz bandwidth mode hi resolution with 10uF and 0.1uF capacitor

**Input:****AC Input Voltage Rating**

115 to 230V AC

**AC Input Voltage Range**

90 to 264V AC

**AC Input Frequency**

47 to 63Hz

**Input Current**

0.3A max at 100VAC

**Leakage Current**

&lt;100uA at 264VAC/50Hz

**Inrush Current**

60A maximum at 240V AC

(Cold start &amp; at input rated voltage +/-10%)

**Output:****Efficiency**

DOE Level VI and CoC V5 tier 2

**Environmental:****Temperature**

Operation	5°C to +40°C
Non-operation	-25°C to +70°C
Relative Humidity	93% RH Max

**Emissions**

FCC Class B

EN55022 Class B

**Immunity**

ESD:	EN 61000-4-2
RS :	EN61000-4-3
EFT/Burst :	EN61000-4-4
Surge:	EN 61000-4-5
CS :	EN61000-4-6
Power Frequency Magnetic Field:	EN61000-4-8
Voltage Dips :	EN61000-4-11

**Over-Voltage Protection**

9V maximum

**Short-Circuit Protection**

The power supply shall be protected when operating any output in overload condition, or when operating any output in a short. The power supply shall be self-recovering when the fault condition is removed circuit condition.

**Over-Current Protection**

The power supply will be protected when output power at 2.3A(RMS) of all rated dc output

**Over-Temperature Protection**

Over-temperature protection sensor

**Dielectric Withstand (Hi-pot) Test**

Pri. to Sec. &gt;4000VAC 10mA for 1 Minute

**DC Output Connector**

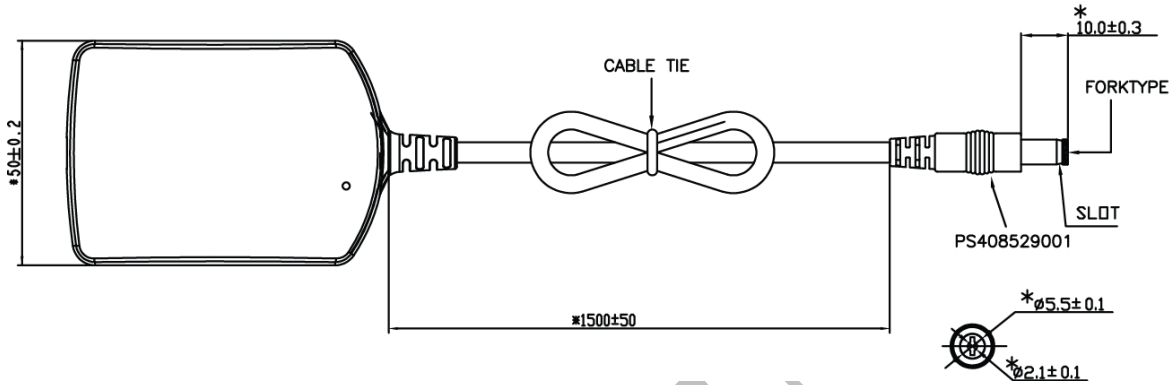
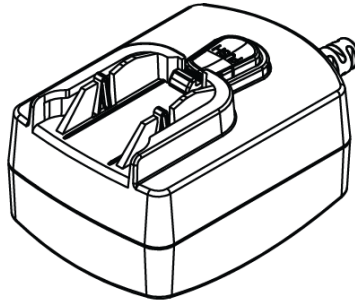
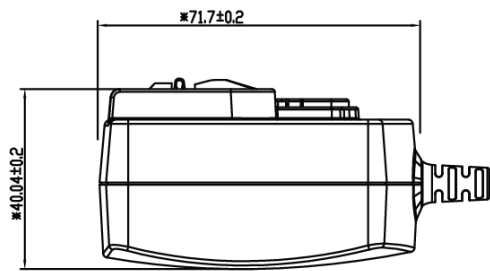
DC plug type 5.5 x 2.1 x 10mm (fork &amp; groove)

DC plug pin assignment: Inner (+V), Outer GND(-)

**Medical AC Input Clips (sold separately)**

<b>Part no:</b>	<b>Description:</b>
RPA-MAB1W	US – white
RPB- MAB1W	Brazil – white
RPE- MAB1W	Euro – white
RPH- MAB1W	Korea – white
RPK- MAB1W	UK – white
RPN-MAT1W	Argentina – white
RPS- MAB1W	AU – white

**Dimension Diagram Unit: mm (inch)**



PRELIMINARY