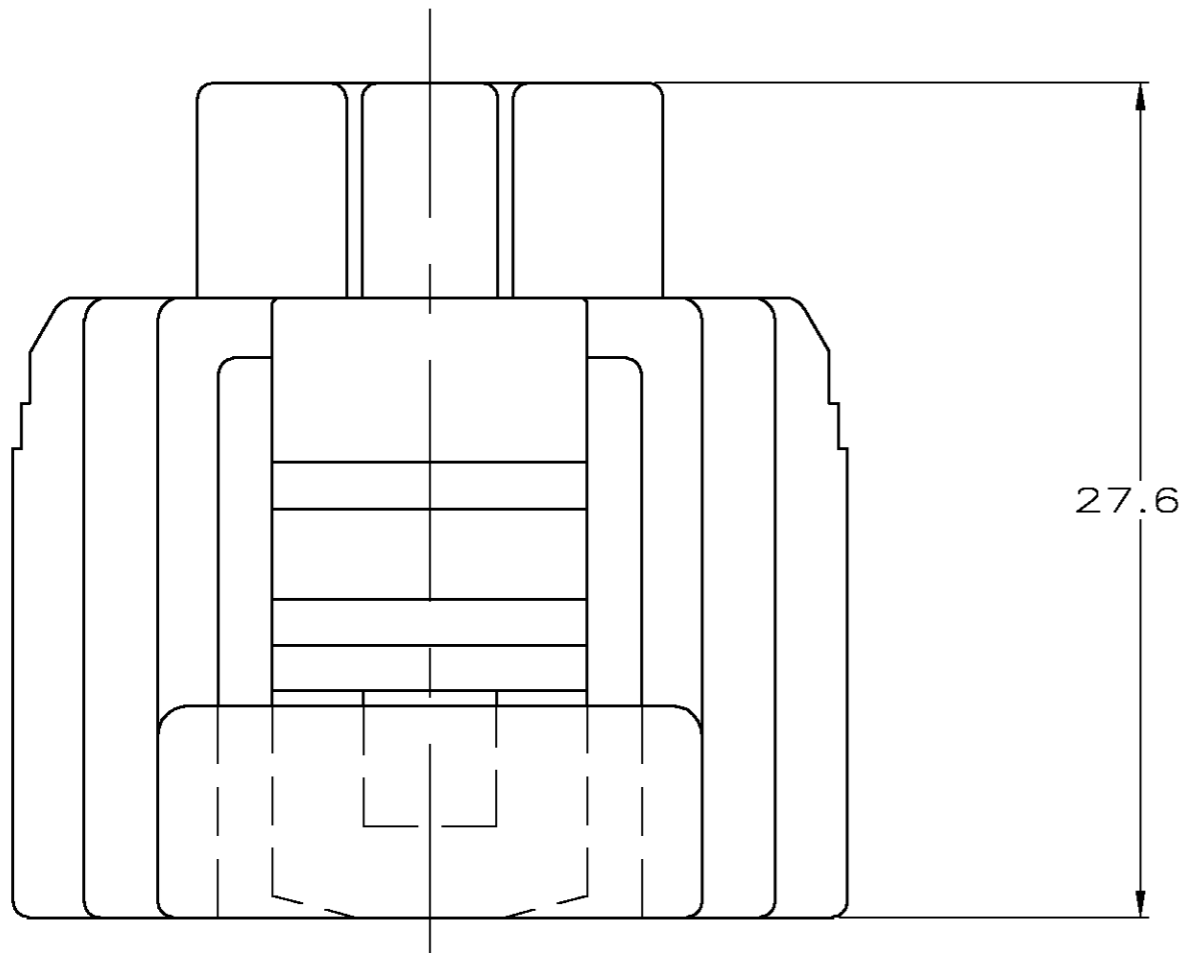
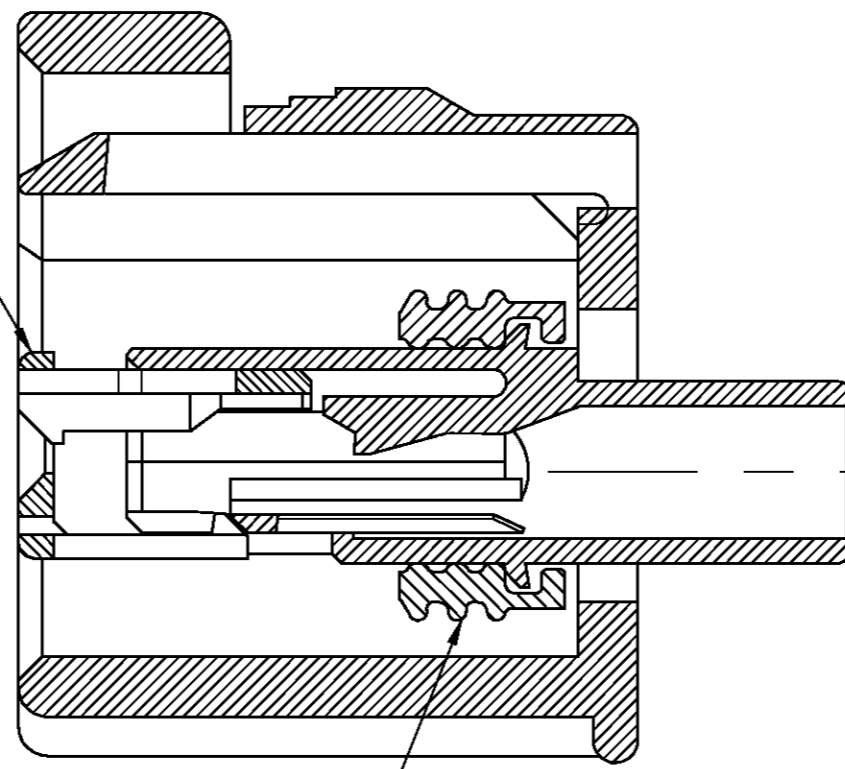


THIS DRAWING IS UNPUBLISHED. RELEASED FOR PUBLICATION
 © COPYRIGHT BY TYCO ELECTRONICS CORPORATION. ALL RIGHTS RESERVED.

LOC	DIST	REVISIONS			
P	LTR	DESCRIPTION	DATE	DWN	APVD
GE	00	D	REVISED PER EC OK40-0387-04	19NOV2004	DLD KLK

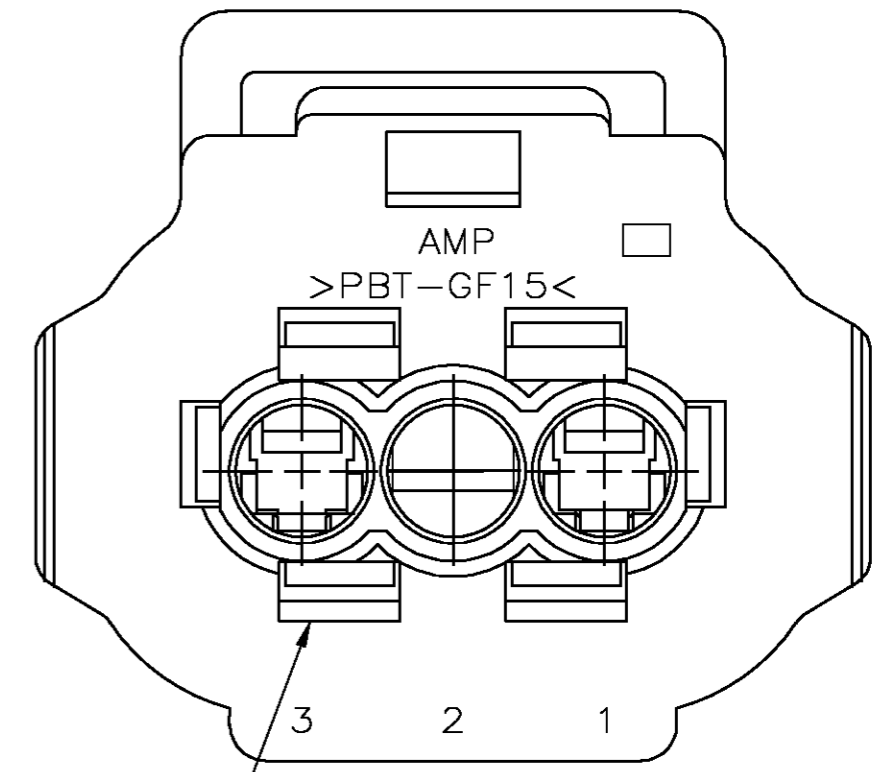


3 POSN DOUBLE LOCK PLATE
 MATERIAL: PBT, 15% GLASS FILLED



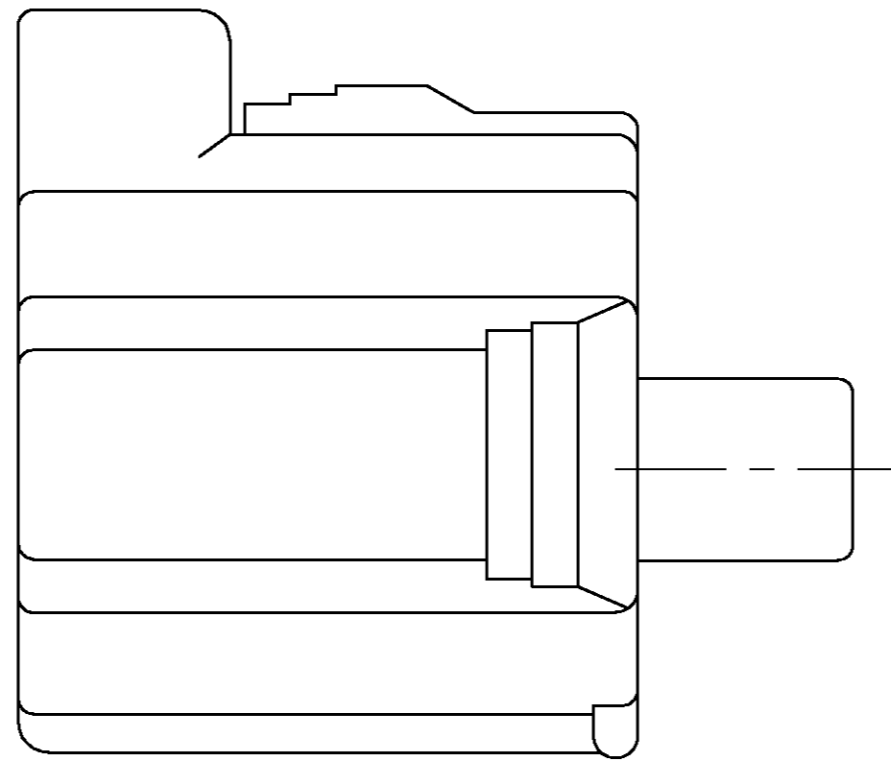
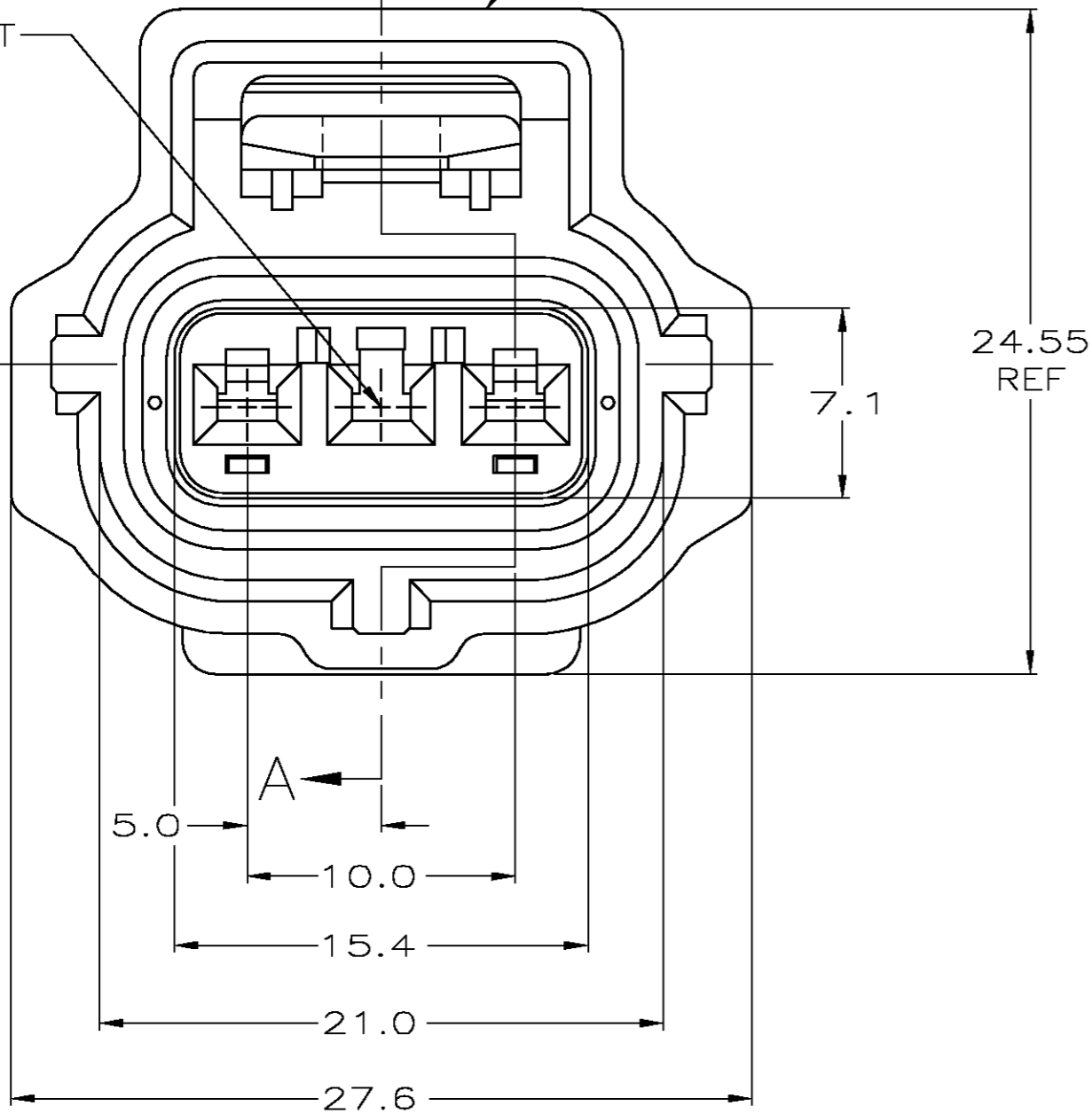
SEAL RING
 MATERIAL: SILICONE RUBBER

SECTION A-A

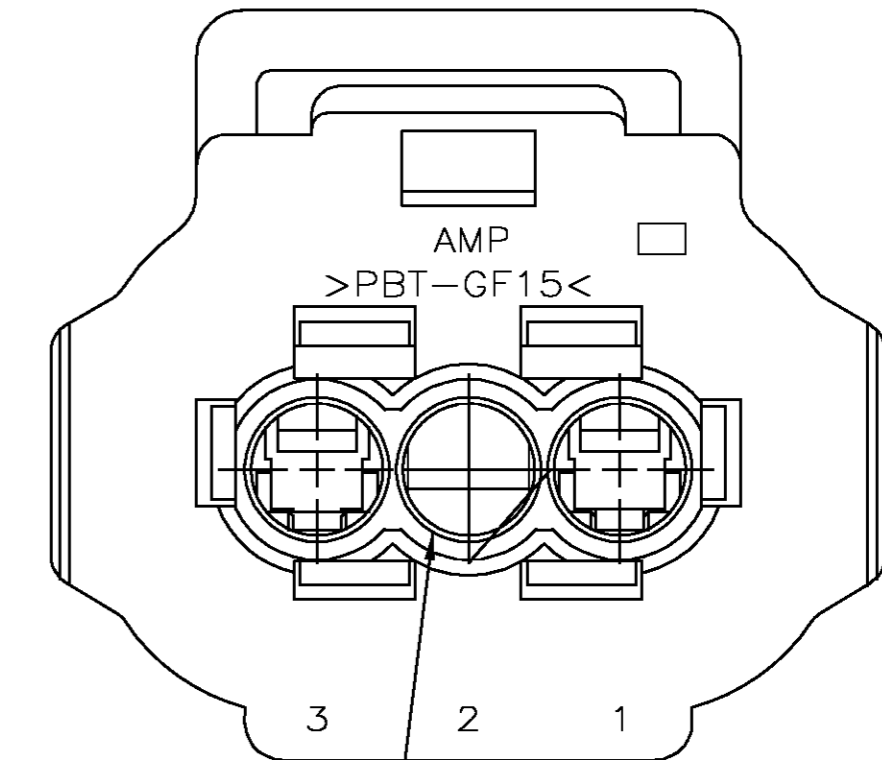


3 POSITION PLUG HOUSING
 MATERIAL: PBT, 15% GLASS FILLED

CENTER CIRCUIT
 BLOCKED



BLOCKED CIRCUIT



GRAY	184292-2
BLACK	184292-1
HSG COLOR	PART NUMBER

THIS DRAWING IS A CONTROLLED DOCUMENT.		DWN	KD LYTLE	04/29/97	 Tyco Electronics Corporation Harrisburg, PA 17105-3608					
DIMENSIONS: MM		CHK	JP KUNKLE	05/09/97						
TOLERANCES UNLESS OTHERWISE SPECIFIED:		APVD	JP KUNKLE	05/09/97						
0 PLC ± - 1 PLC ± 0.3 2 PLC ± 0.3 3 PLC ± - 4 PLC ± - ANGLES ± 1° FINISH -		NAME	JP KUNKLE							
MATERIAL		PRODUCT SPEC	1 X 3B PLUG ASSEMBLY KEY A-C3							
		APPLICATION SPEC	SIZE	A2	CAGE CODE	00779	DRAWING NO	C=184292	RESTRICTED TO	-
		WEIGHT	CUSTOMER DRAWING		SCALE	4:1	SHEET	1 OF 1	REV	D