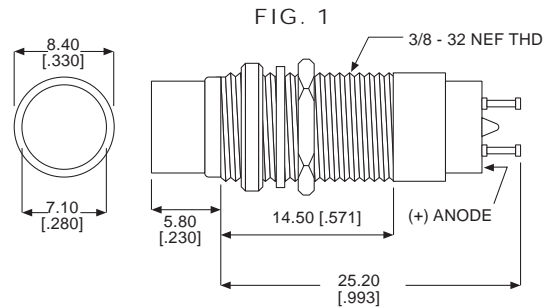


249 SERIES FOR 3/8" MOUNTING HOLE • CYLINDRICAL CAP

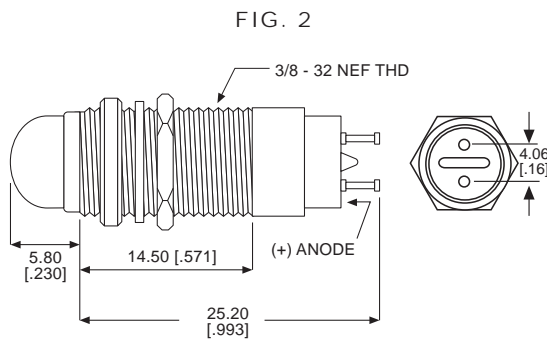
| PART NO. | COLOR | V _F | mA | mcd† | FIG. |
|-------------------|--------|----------------|----|------|------|
| 249-4162-3334-504 | Blue | 3 | 10 | 120 | 1 |
| 249-7867-3331-504 | Red | 3.6 | 20 | 30 | 1 |
| 249-7967-3332-504 | Green | 3.6 | 20 | 40 | 1 |
| 249-8067-3333-504 | Yellow | 3.6 | 20 | 40 | 1 |
| 249-4164-3334-504 | Blue | 5 | 10 | 120 | 1 |
| 249-7868-3331-504 | Red | 5 | 20 | 30 | 1 |
| 249-7968-3332-504 | Green | 5 | 20 | 40 | 1 |
| 249-8068-3333-504 | Yellow | 5 | 20 | 40 | 1 |
| 249-4166-3334-504 | Blue | 10 | 10 | 120 | 1 |
| 249-7870-3331-504 | Red | 10 | 20 | 30 | 1 |
| 249-7970-3332-504 | Green | 10 | 20 | 40 | 1 |
| 249-8070-3333-504 | Yellow | 10 | 20 | 40 | 1 |
| 249-4167-3334-504 | Blue | 14 | 10 | 120 | 1 |
| 249-7871-3331-504 | Red | 14 | 20 | 30 | 1 |
| 249-7971-3332-504 | Green | 14 | 20 | 40 | 1 |
| 249-8071-3333-504 | Yellow | 14 | 20 | 40 | 1 |
| 249-4168-3334-504 | Blue | 28 | 10 | 120 | 1 |
| 249-7872-3331-504 | Red | 28 | 20 | 30 | 1 |
| 249-7972-3332-504 | Green | 28 | 20 | 40 | 1 |
| 249-8072-3333-504 | Yellow | 28 | 20 | 40 | 1 |



† mcd intensity of LED

Material & Finish: Housing, Cartridge and Holder - Black Anodized Aluminum. Cap -High Impact Plastic

249 SERIES FOR 3/8" MOUNTING HOLE • STOVEPIPE CAP



| PART NO. | COLOR | V _F | mA | mcd† | FIG. |
|-------------------|--------|----------------|----|------|------|
| 249-4162-3734-504 | Blue | 3 | 10 | 400 | 2 |
| 249-7867-3731-504 | Red | 3.6 | 20 | 30 | 2 |
| 249-7967-3732-504 | Green | 3.6 | 20 | 40 | 2 |
| 249-8067-3733-504 | Yellow | 3.6 | 20 | 40 | 2 |
| 249-4164-3734-504 | Blue | 5 | 10 | 400 | 2 |
| 249-7868-3731-504 | Red | 5 | 20 | 30 | 2 |
| 249-7968-3732-504 | Green | 5 | 20 | 40 | 2 |
| 249-8068-3733-504 | Yellow | 5 | 20 | 40 | 2 |
| 249-4166-3734-504 | Blue | 10 | 10 | 400 | 2 |
| 249-7870-3731-504 | Red | 10 | 20 | 30 | 2 |
| 249-7970-3732-504 | Green | 10 | 20 | 40 | 2 |
| 249-8070-3733-504 | Yellow | 10 | 20 | 40 | 2 |
| 249-4167-3734-504 | Blue | 14 | 10 | 400 | 2 |
| 249-7871-3731-504 | Red | 14 | 20 | 30 | 2 |
| 249-7971-3732-504 | Green | 14 | 20 | 40 | 2 |
| 249-8071-3733-504 | Yellow | 14 | 20 | 40 | 2 |
| 249-4168-3734-504 | Blue | 28 | 10 | 400 | 2 |
| 249-7872-3731-504 | Red | 28 | 20 | 30 | 2 |
| 249-7972-3732-504 | Green | 28 | 20 | 40 | 2 |
| 249-8072-3733-504 | Yellow | 28 | 20 | 40 | 2 |

† mcd intensity of LED

Material & Finish: Housing, Cartridge and Holder - Black Anodized Aluminum. Cap -High Impact Plastic

Dimensions in mm [inches]