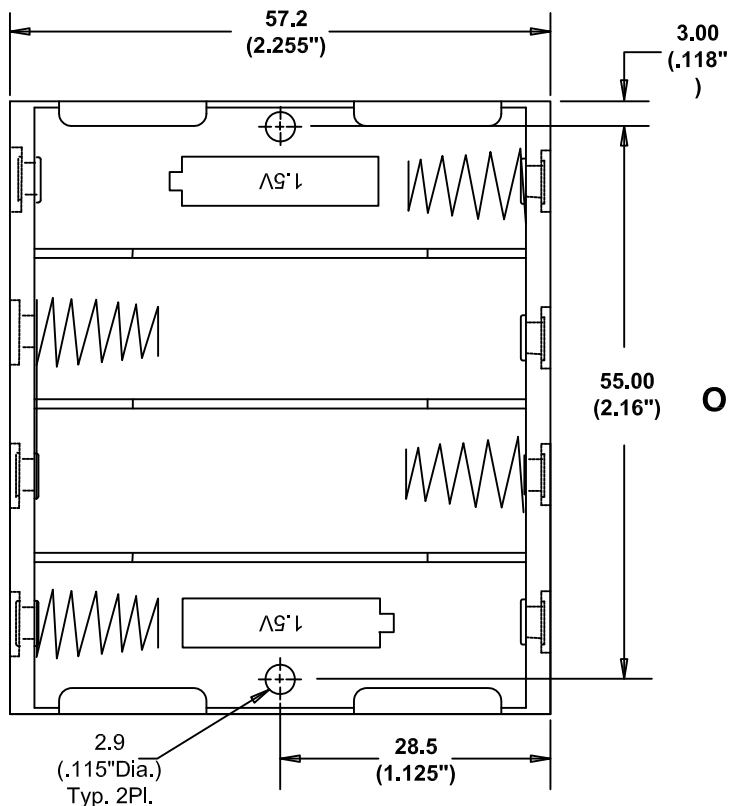
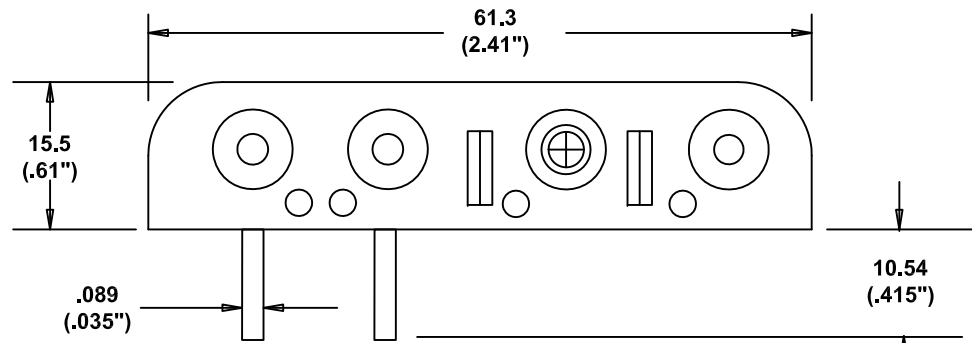
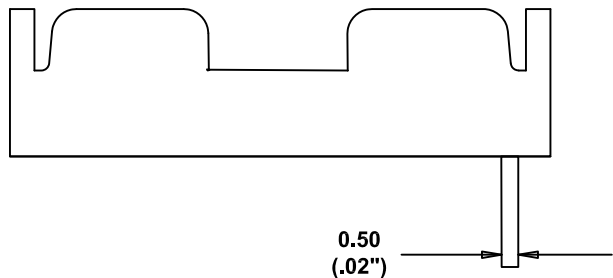
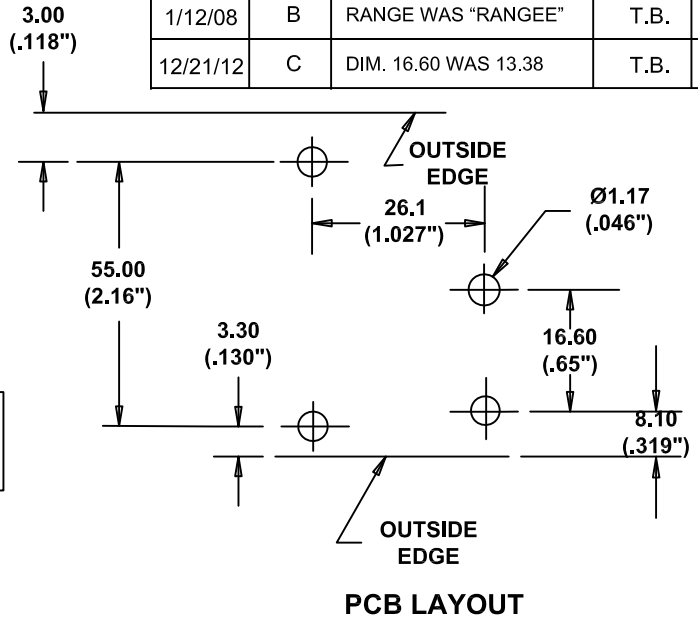


DATE	SYM	REVISION RECORD	AUTH	DR.	CK.
9/10/06	A	ADDED "ROHS COMPLIANT"	T.B.	B.S.	
1/12/08	B	RANGE WAS "RANGEE"	T.B.	B.S.	
12/21/12	C	DIM. 16.60 WAS 13.38	T.B.	B.S.	



**ORDERING CODE BC4AA**


SOLDER LUGS	= L
(6") WIRE LEADS	= W
9 VOLT TYPE SNAPS	= SF
PC PINS	= PC



Note: Dimensions in mm. ( inches )

**SPECIFICATIONS :**

Plastic material - polypropylene  
 Flammability Rating-UL94 HB, UL File No. E216959  
 Temperature Range: -10°C to +100°C  
 Springs - nickel plated spring steel  
 Wire - 152.4 mm Long 26 AWG, UL1007, CSA - TR-64, 300V, 80° C.  
 Rivets - Brass, nickel plated  
 9 Volts Snaps - Brass, nickel plated  
 Contact Resistance: Under 50m for +/- contacts per EIA-540J000  
 ROHS COMPLIANT

Tolerance (Except as noted)	 <b>Memory Protection Devices, Inc</b> 200 Broad Hollow Road, Farmingdale, New York 11735	Scale	Drawn By B.S.
			Approved By T.B.
decimal ±.5 (.020)	Title FOUR "AA" CELL HOLDER	Date 12/21/12	
Fractional ± .8 (.030)		Drawing Number BC4AAPC	
Angular ± 3°			