

PFM™ in a VIA Package

Isolated & Regulated converter with PFC for AC-DC systems

For use in: *Datacom/Telecom Equipment, LED Lighting, Bench-top Equipment and Industrial AC-DC Power Systems.*

Features and Benefits

- Up to 400 W
- Up to 92% efficiency
- Active Power Factor Correction
Exceeds 0.95 at most line/load conditions
- Chassis mount or PCB mounting options
- Available temperature grades
 - C-Grade: -20 to 100°C
 - T-Grade: -40 to 100°C
- Small size & low profile
- Allows designers to minimize the space needed for their applications
- Double sided thermal housing simplifies thermal design challenges
- Companion AIM in a VIA package provides rectification and EMI filtering for use in Class B power systems
- Product dimensions
 - PFM: 111 x 35.5 x 9.3 mm
 - AIM: 44.6 x 35.5 x 9.3 mm



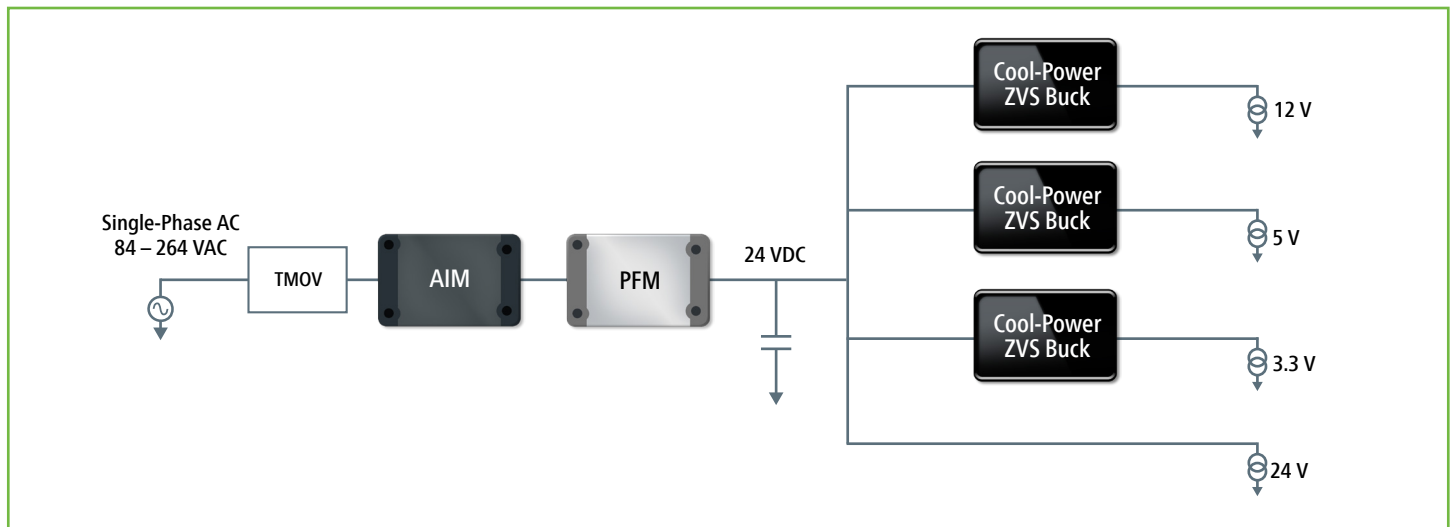
Value Proposition

The PFM is the lowest profile AC-DC solution in the market. Vicor's VIA package enables designers to efficiently package power into their system's thermal management solution. Unlike the competition which offers solutions with twice the width and 3x the height, these slim line converters can do the same job in less space.

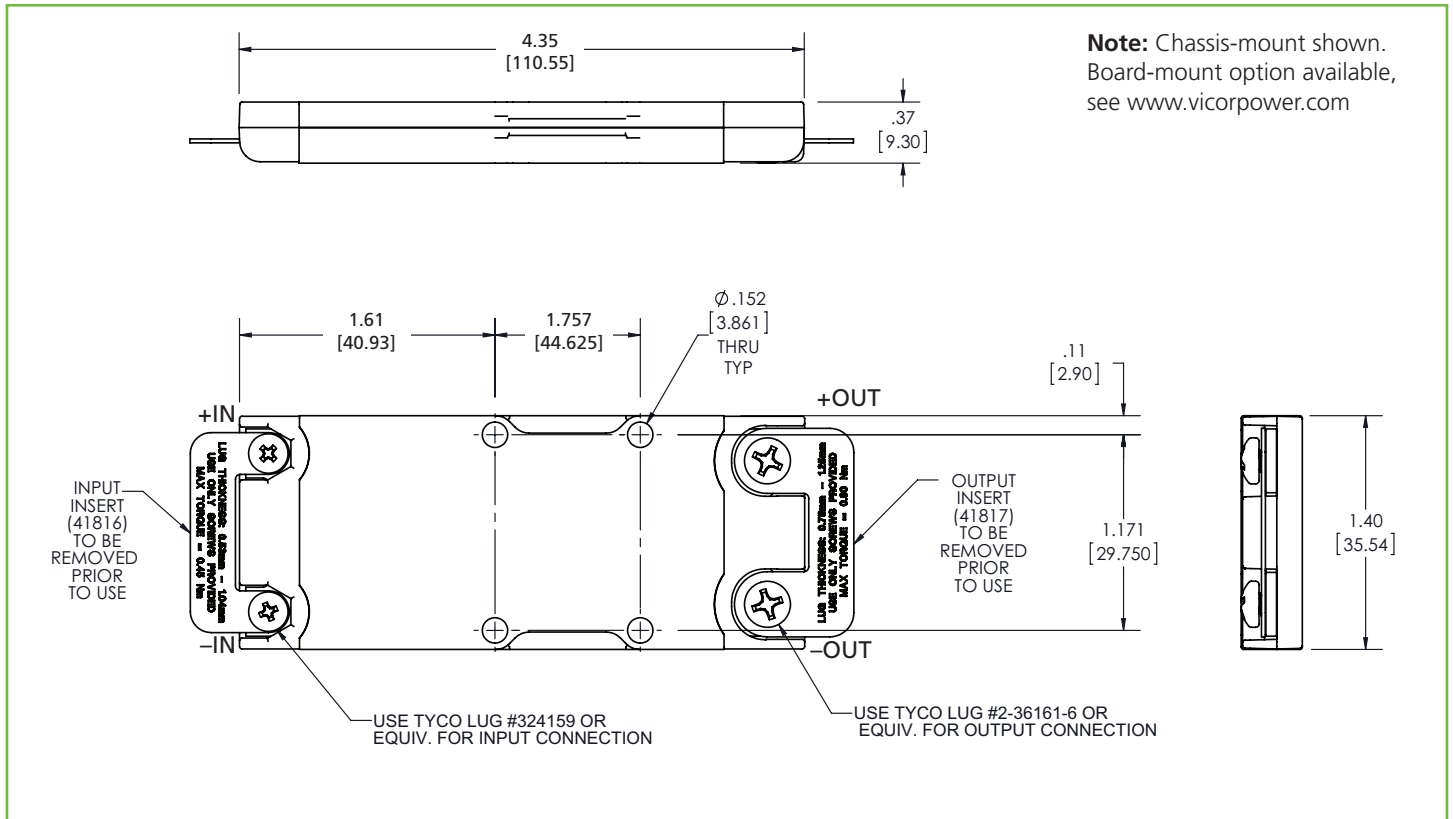
Family of PFM Products

Part Number	Vout	Max Power	Mounting Style	Companion AIM
PFM4414VB6M24D0T00	24	400	Chassis	AIM1714VB6MC7D5T00
PFM4414BB6M24D0T04	24	400	Board - Short	AIM1714BB6MC7D5T04
PFM4414BB6M24D0T08	24	400	Board - Long	AIM1714BB6MC7D5T08
PFM4414VB6M48D0T00	48	400	Chassis	AIM1714VB6MC7D5T00
PFM4414BB6M48D0T04	48	400	Board - Short	AIM1714BB6MC7D5T04
PFM4414BB6M48D0T08	48 </td <td>400</td> <td>Board - Long</td> <td>AIM1714BB6MC7D5T08</td>	400	Board - Long	AIM1714BB6MC7D5T08

Typical Application



PFM Mechanical Drawing – 4414 VIA Package



AIM Mechanical Drawing – 1714 VIA Package

