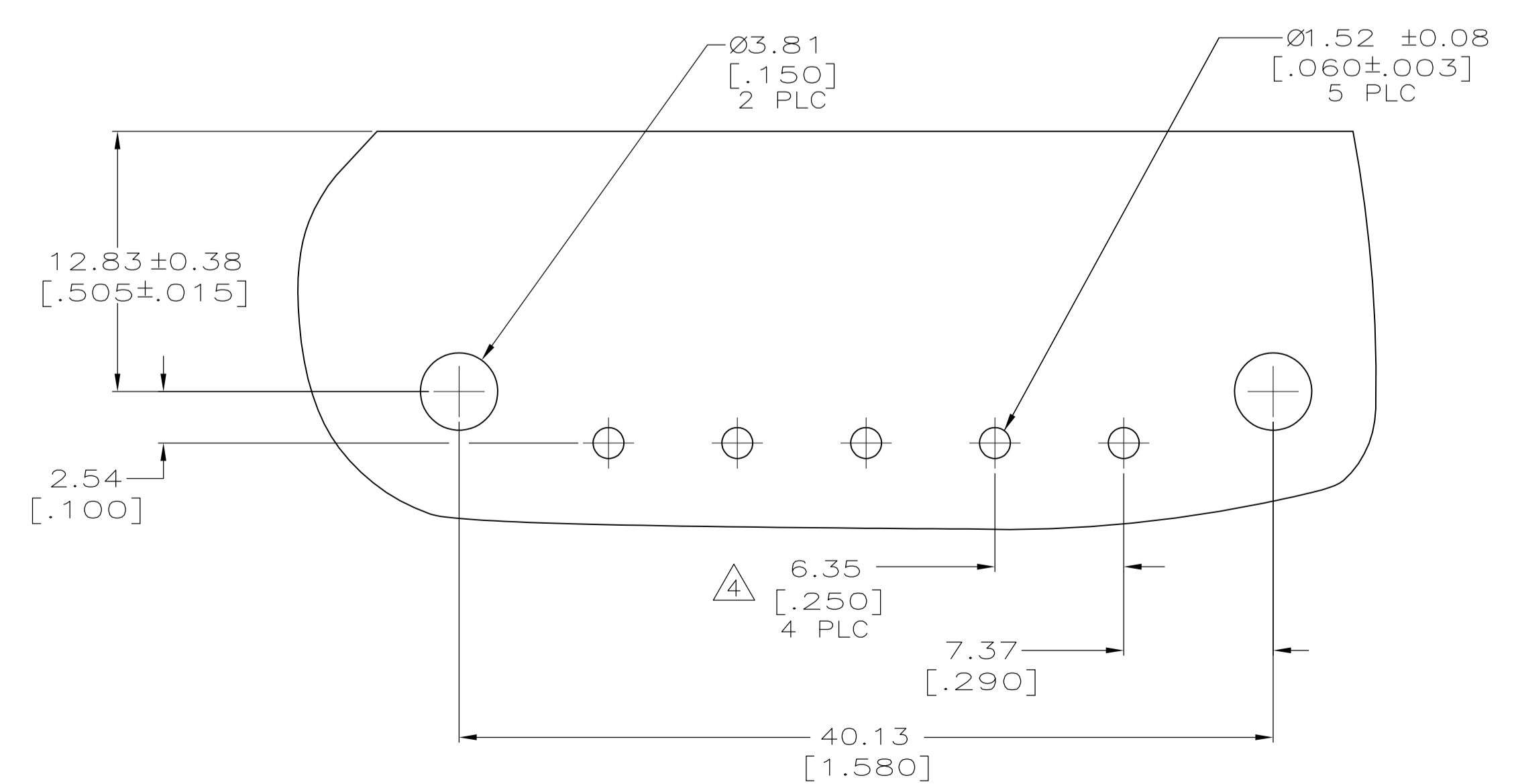
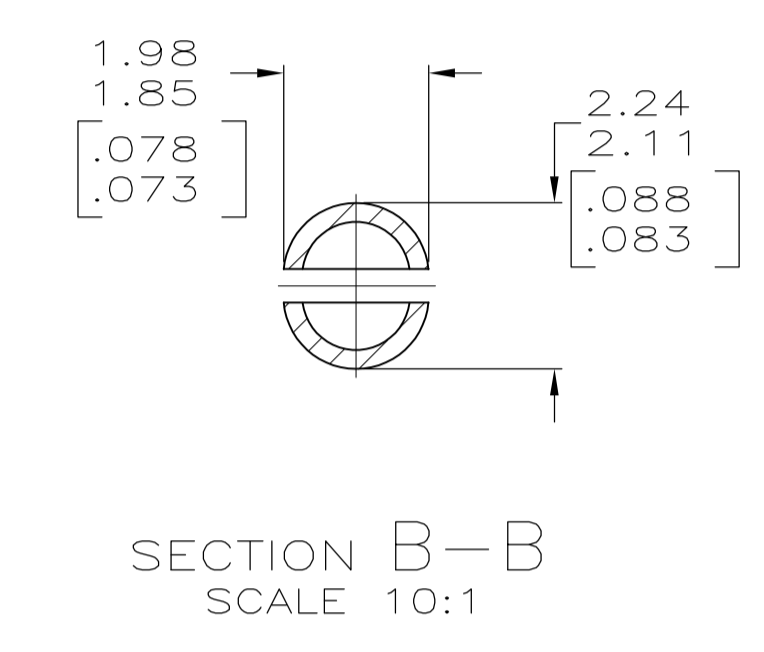
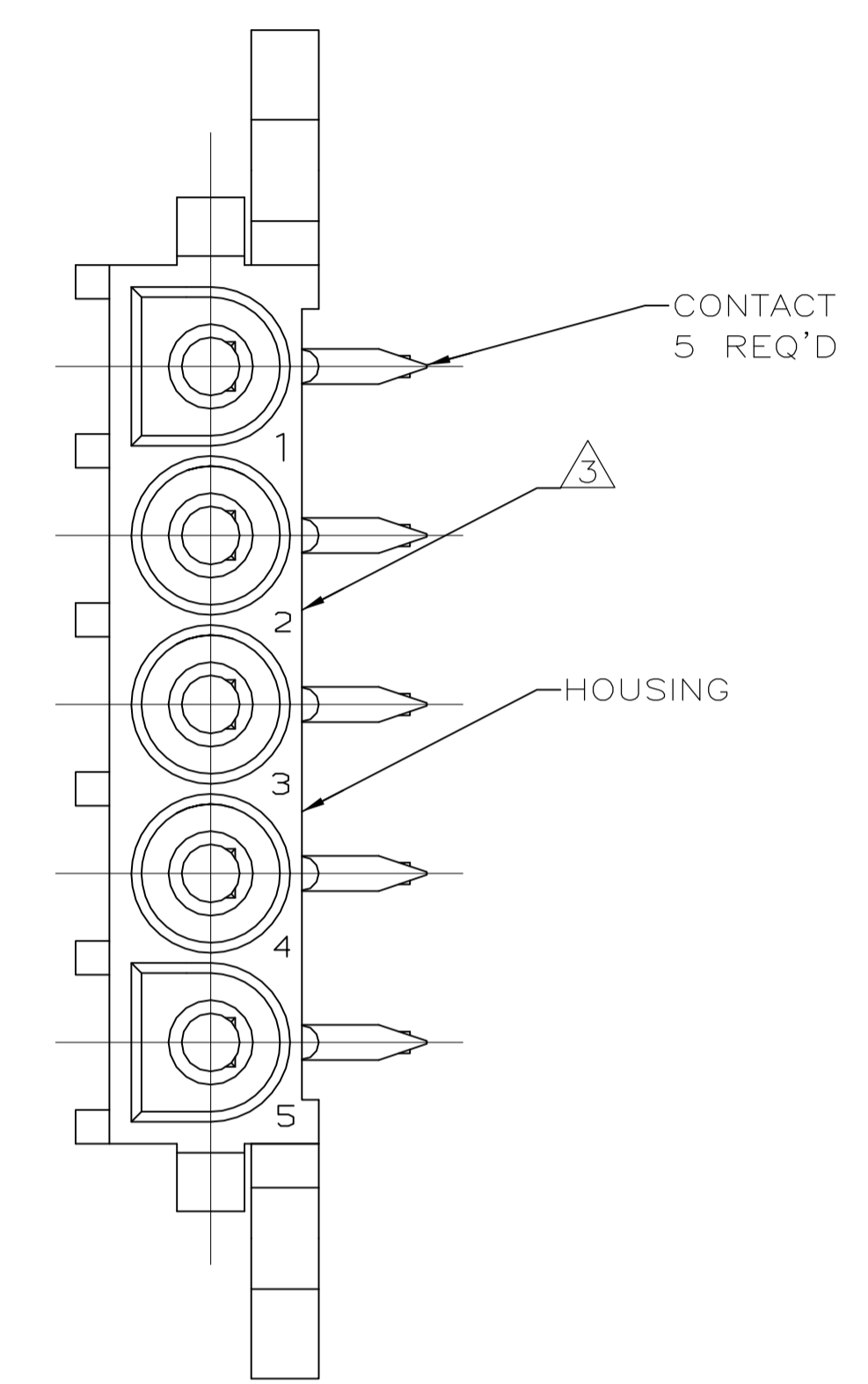
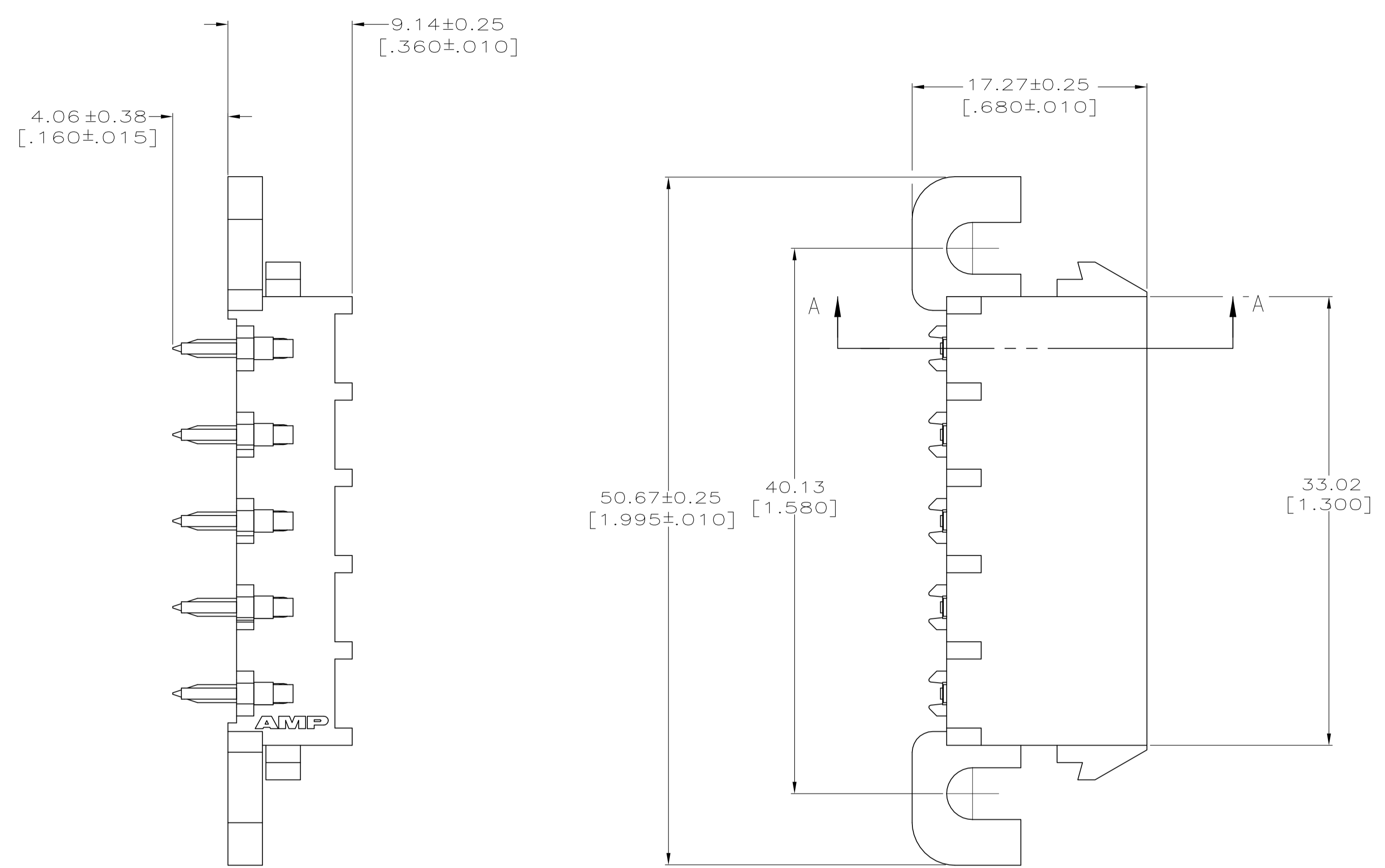
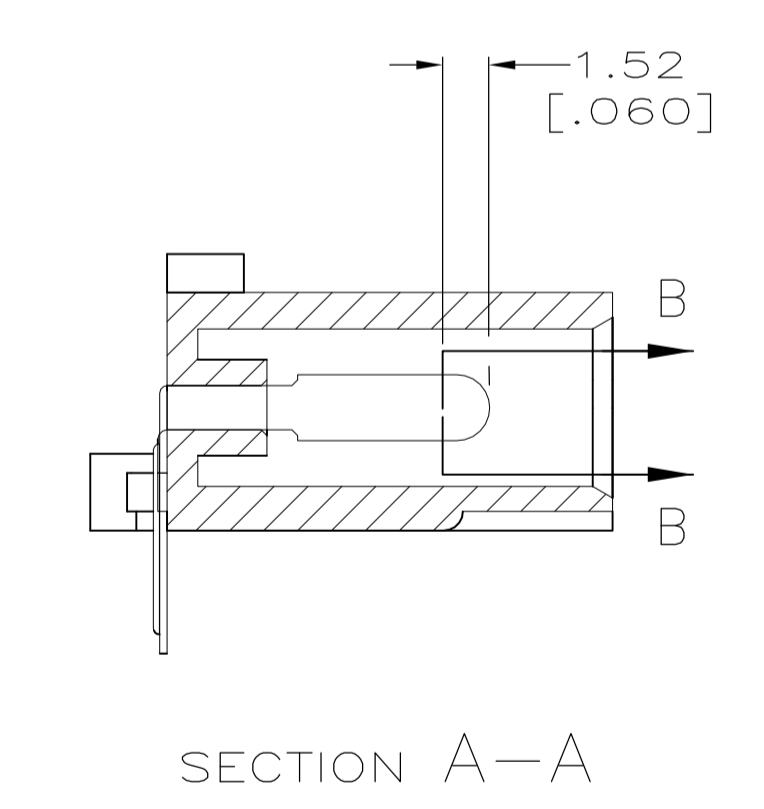
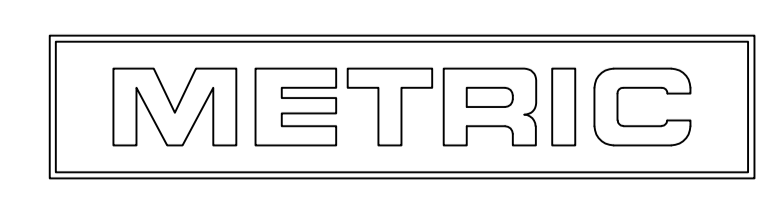
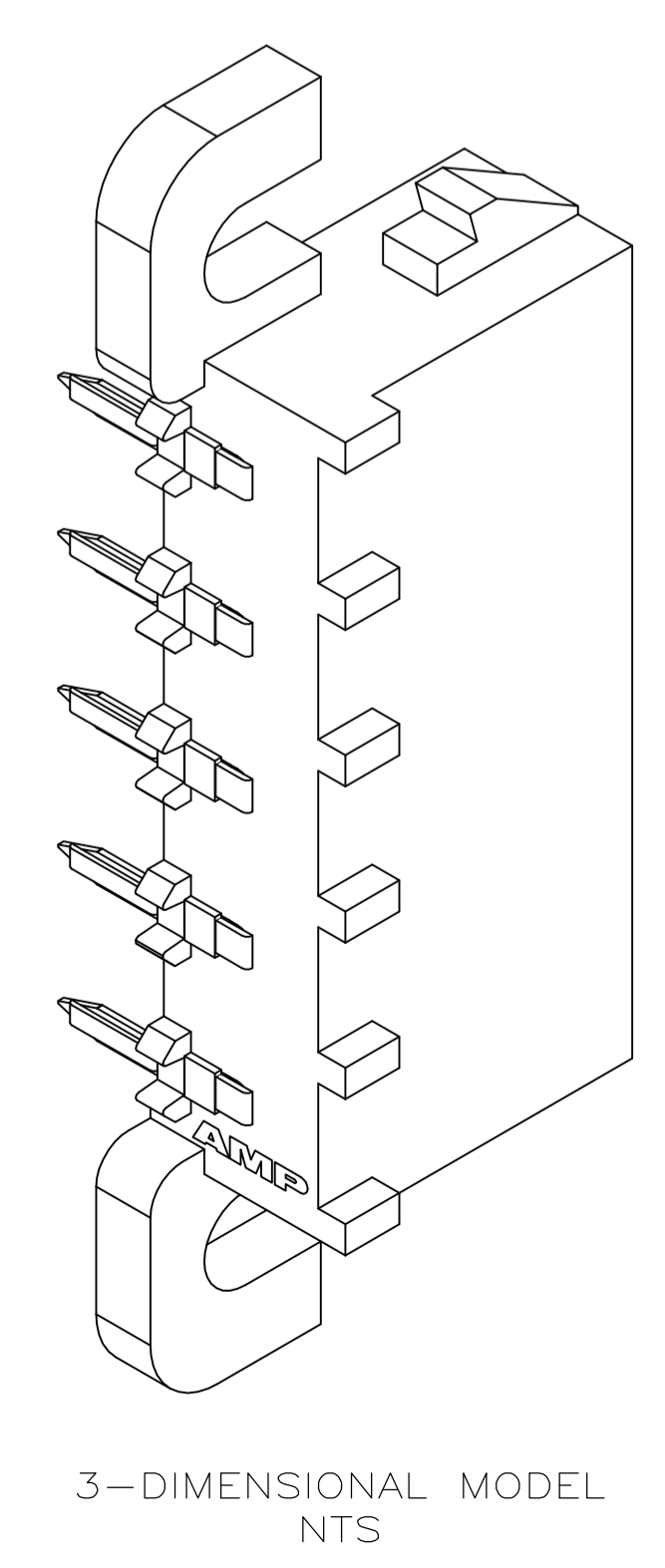


- PARTS COMPLY WITH AMP SOLDERABILITY SPECIFICATION 109-11-5.
- DIMENSIONS IN BRACKETS ARE IN INCHES.
- CIRCUIT IDENTIFICATION CHARACTERS ARE ADJACENT TO THE INDICATED CAVITIES, BUT LOCATION AND ORIENTATION MAY DIFFER FROM PRINT
- TOLERANCE NON-CUMULATIVE.



RECOMMENDED MOUNTING HOLE PATTERN FOR .062 [1.57] THICK P.C. BOARD



PHOS BRONZE, PRE-TIN	NYLON, UL94V-2	1-350949-0
CONTACT MATL / PLATING	HOUSING-MATERIAL	PART NO.

THIS DRAWING IS A CONTROLLED DOCUMENT.		DIN K. SALMON 3-25-94	TE Connectivity
DIMENSIONS: MM [ INCHES ]		CHK R. SWING 3-25-94	
TOLERANCES UNLESS OTHERWISE SPECIFIED:		APVD D.SELF 3-25-94	NAME
0 PLC ± -		PRODUCT SPEC	PIN HEADER ASSEMBLY, RIGHT ANGLE MOUNT, 5 POSITION, UNIVERSAL MATE-N-LOK
1 PLC ± -		APPLICATION SPEC	
2 PLC ± -		WEIGHT	
3 PLC ± 0.13 [.005]		SIZE	
4 PLC ± -		RESTRICTED TO	
ANGLES ± -		CUSTOMER DRAWING	
MATERIAL SEE TABLE		FINISH SEE TABLE	SCALE 4:1 SHEET 1 OF 1 REV N1