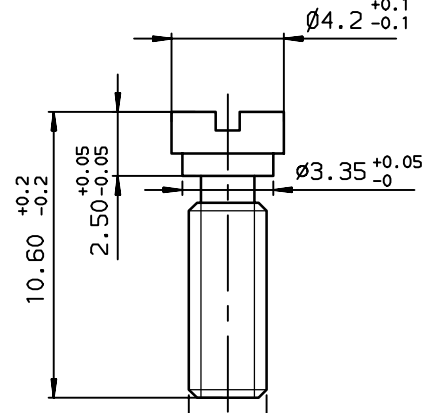


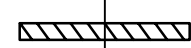
SHELL	PART NUMBERS	A ±0.25	B ±0.15	C ±0.25	D ±0.25	E ±0.05 ±0.40	F ±0.25	G ±0.25	Packaging
25	86552220T	57.75	49.55	43.40	50.70	12.50	8.65	9.85	1 piece
25	86552220TLF	57.75	49.55	43.40	50.70	12.50	8.65	9.85	1 piece

MATERIAL:  
Metal plate:stainless steel  
Screw,nut and washer:steel

SCREW THREAD UNC 4.40 (Nb: 2)



LOOKING WASHER (Nb: 2)

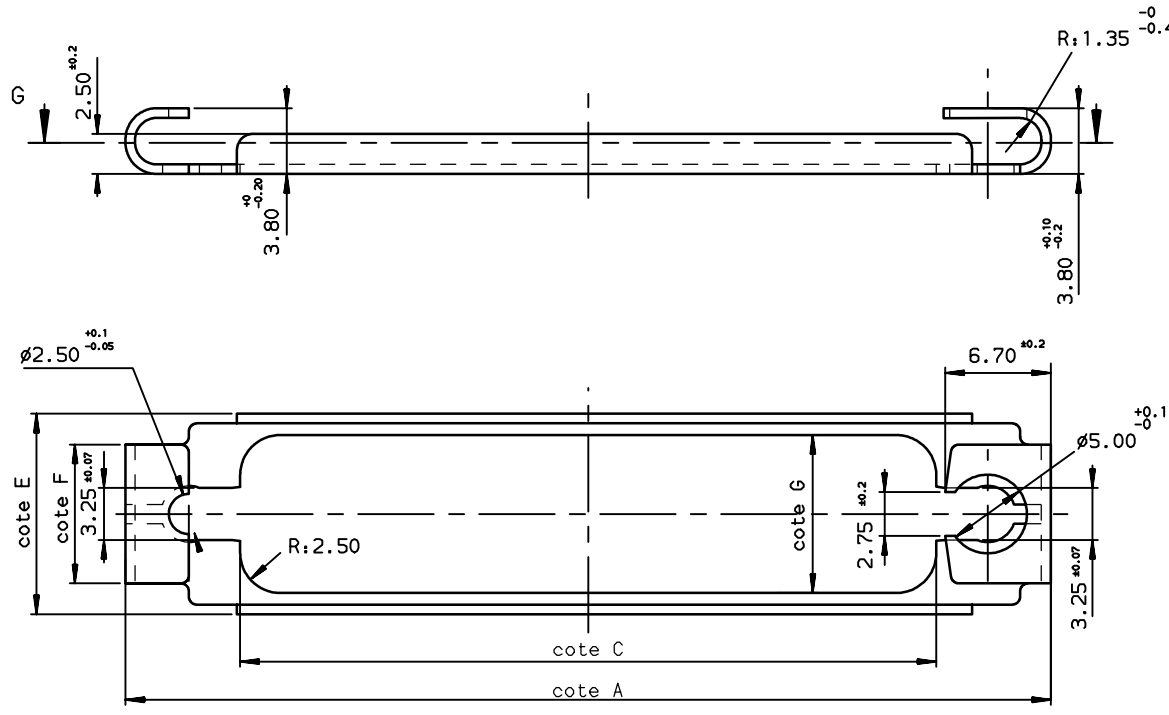


NUT (Nb: 2)

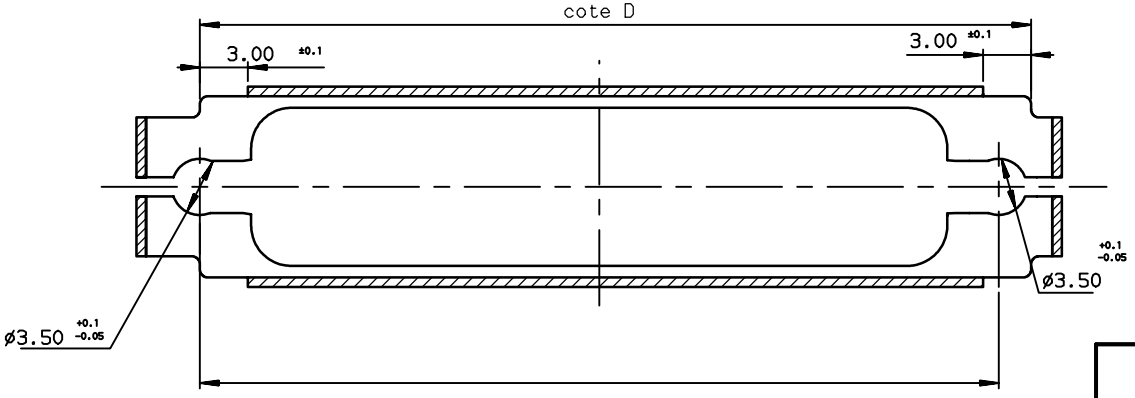


NOTE:RoHS INFORMATIONS

- The "LF" products meet European union Directives and other country regulations as described in GS-22-008.
- Plating :zinc cr3 white or transparent color
- Packaging spec: see GS-14-920



COUPE GG



European Views

www.fciconnect.com		surface ISO 1302 ✓	tolerance std ISO 406 ISO 1101	projection mm	size A3	Scale 3
TOLERANCES UNLESS OTHERWISE SPECIFIED						
Dr	JARRY	2003/08/27	ANGULAR	0.X ±0.1	ECN L506-0097	
Eng	LEGARE	2003/08/27	LINEAR	0.XX ±0.1	Spec ref -	
Chr	LEGARE	2003/08/27	0.XX' ±2'	0.XXX ±0.1		
Appr	LEGARE	2003/08/27	Product family		D-SUB	
FCI		SLIDE LOCKS			Rev. D	
REINFORCED PLATE		C01-8655-1585			dwg no	
catalog no		CUSTOMER			sheet 1 of 1	

rev	ecn no	dr	date
A	-	CJA	2003/08/27
B	LS05-0026	MPE	2005/07/25
C	LS06-0041	MPE	2006/03/20
D	LS06-0097	LGO	2006/07/28
-	-	-	-
-	-	-	-

Copyright FCI. FCI