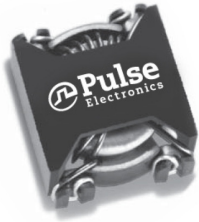


SMT POWER INDUCTORS

Wire Wound



- Maximum Reflow Temperature 235°C
- Storage Temperature:** -55°C to +125°C
- Moisture Sensitivity Level (MSL):** 3
- Pick-and-place Compatible
- Designed for dc/dc Converters

- Dielectric Strength: Up to 15 A
- Frequency Range: 500 Vrms
- Can be made available in a RoHS configuration by special request (Sn100 lead finish)

Electrical Specifications @ 25°C – Operating Temperature 0°C to 70°C

Part Number	Inductance (mH ± 35%)	Irated (A)	Leakage Inductance (µH Nom)	DCR (µΩ MAX)	Impedance Curve	Weight (Grams)	Quantity in Tube
PL1241	0.760	4.7	4.559	40	#6	6.2	30
PL1241-1	0.760	4.7	4.559	40	#6	6.2	30

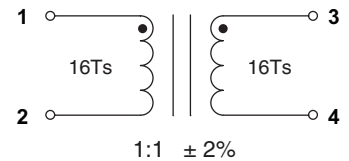
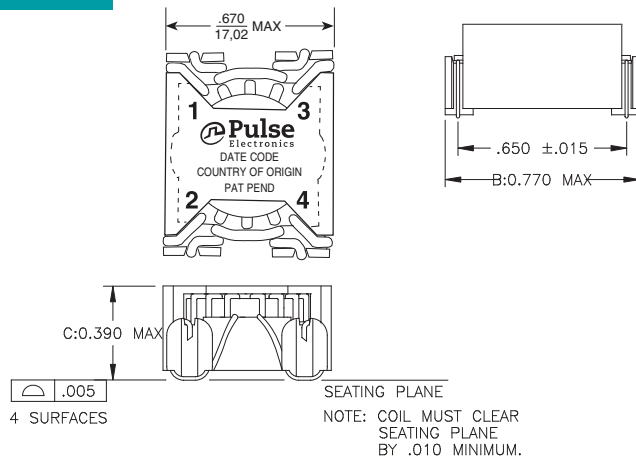
Notes:

1. Leakage inductance tested to 100 kHz, 1140 mV, (1-2) with (3-4) shorted.
2. Add the suffix "T" to the part number for Tape & Reel packaging

Mechanicals

Schematics

PL1241

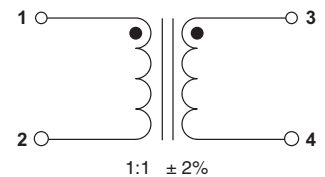
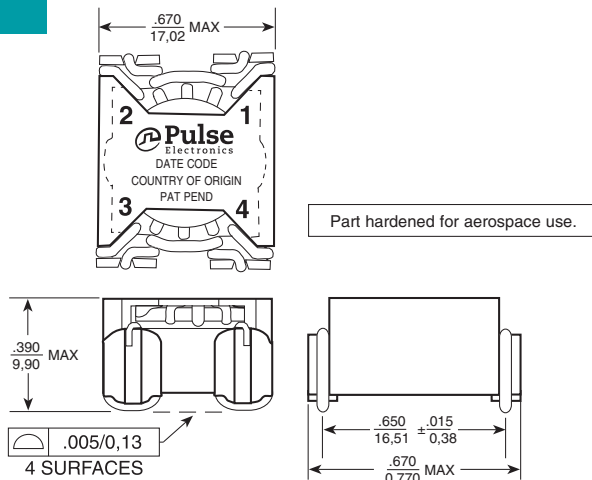


Dimensions: Inches
mm
Unless otherwise specified,
all tolerances are ± $\frac{.010}{0,25}$

Mechanicals

Schematics

PL1241-1



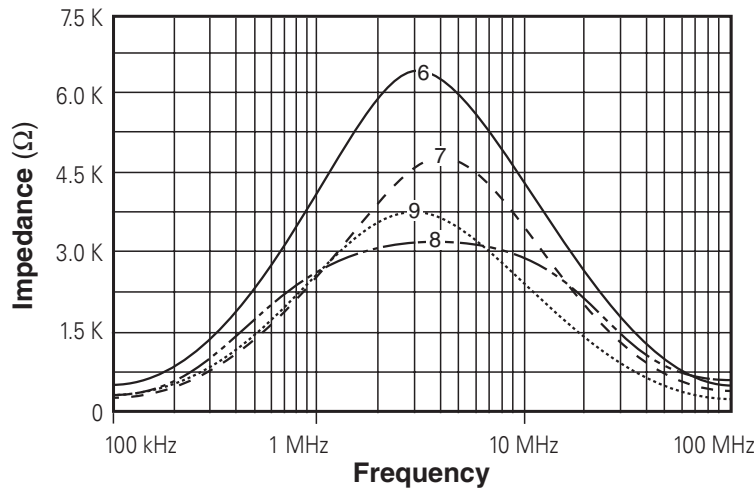
Dimensions: Inches
mm
Unless otherwise specified,
all tolerances are ± $\frac{.010}{0,25}$

SMT COMMON CHOKES

500 Vrms Isolation

Impedance Curve

PL1241NL/ PL1241-1NL



For More Information

Pulse North America Headquarters
Two Pearl Buck Court
Bristol, PA 19007
U.S.A.

Tel: 215 781 6400
Fax: 215 781 6403

Pulse Europe
Zeppelinstrasse 15
71083 Herrenberg
Germany

Tel: 49 7032 7806 0
Fax: 49 7032 7806 12

Pulse China Headquarters
B402, Shenzhen Academy of
Aerospace Technology Bldg.
10th Kejian Road
High-Tech Zone
Nanshan District
Shenzhen, PR China 518057
Tel: 86 755 33966678
Fax: 86 755 33966700

Pulse North China
Room 2704/2705
Super Ocean Finance Ctr.
2067 Yan An Road West
Shanghai 200336
China

Tel: 86 21 62787060
Fax: 86 2162786973

Pulse South Asia
135 Joo Seng Road
#03-02
PM Industrial Bldg.
Singapore 368363

Tel: 65 6287 8998
Fax: 65 6287 8998

Pulse North Asia
3F No. 198, Zhongyuan Road
Zhongli City
Taoyuan County (32068)
Taiwan

Tel: 886 3 4356768
Fax: 886 3 4356823

Performance warranty of products offered on this data sheet is limited to the parameters specified. Data is subject to change without notice. Other brand and product names mentioned herein may be trademarks or registered trademarks of their respective owners. © Copyright, 2013. Pulse Electronics, Inc. All rights reserved.