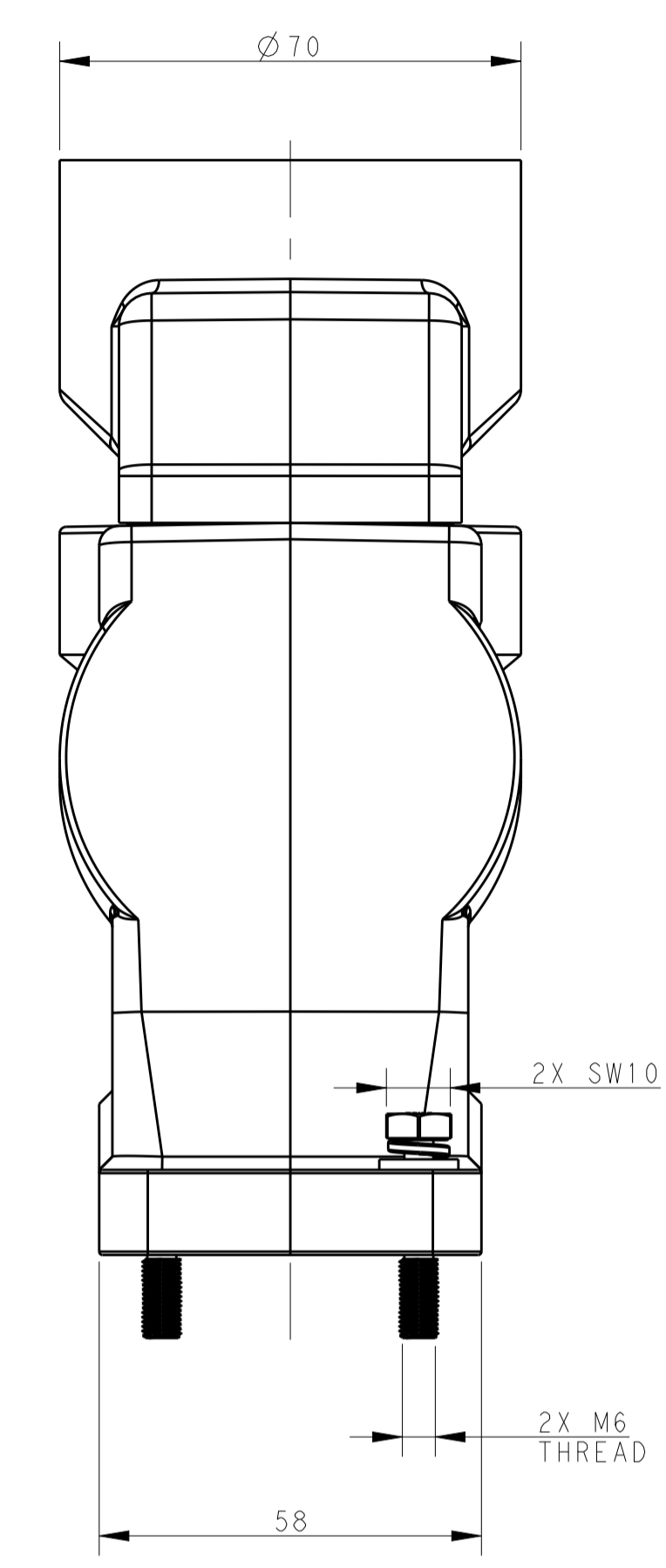
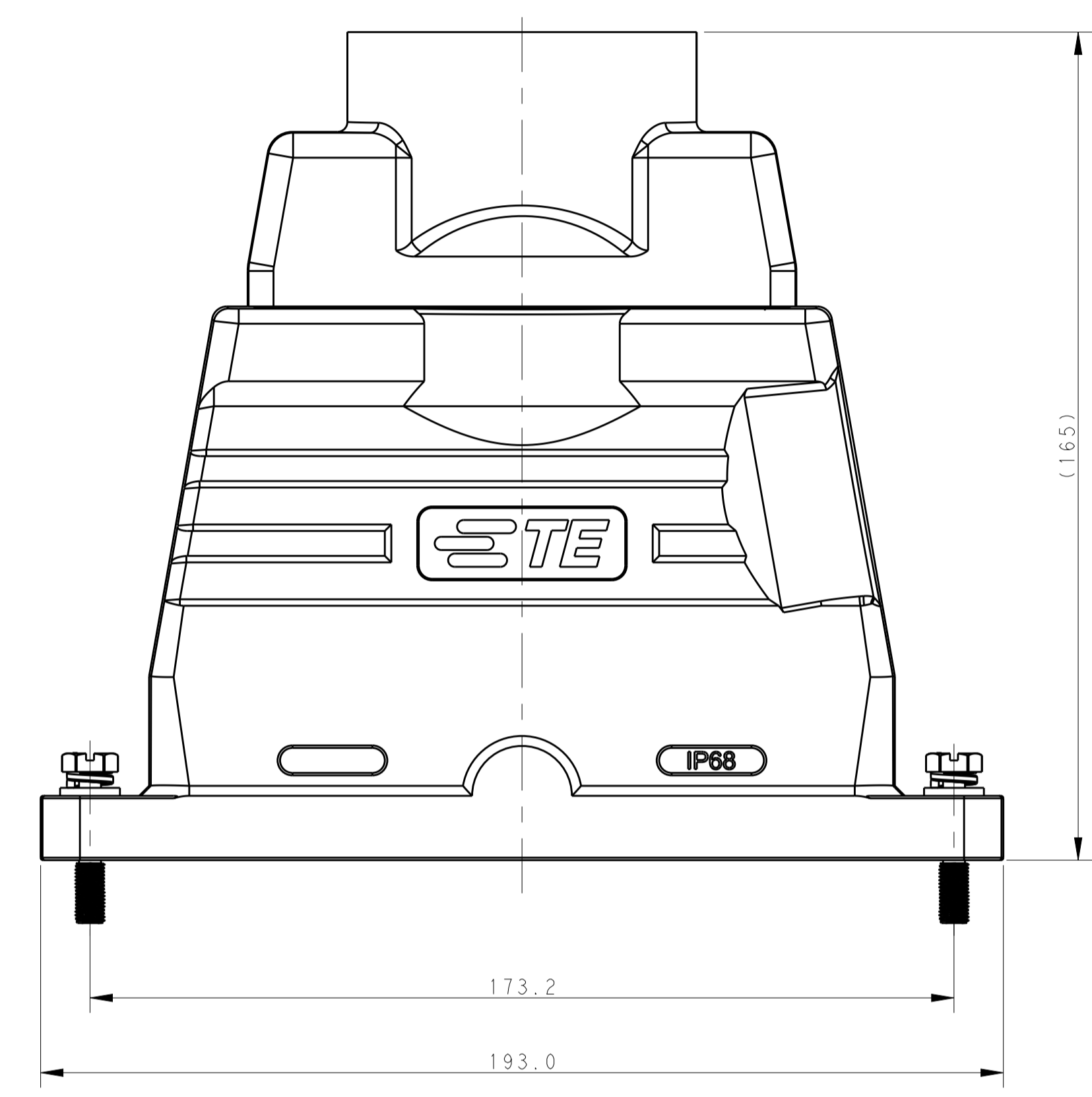
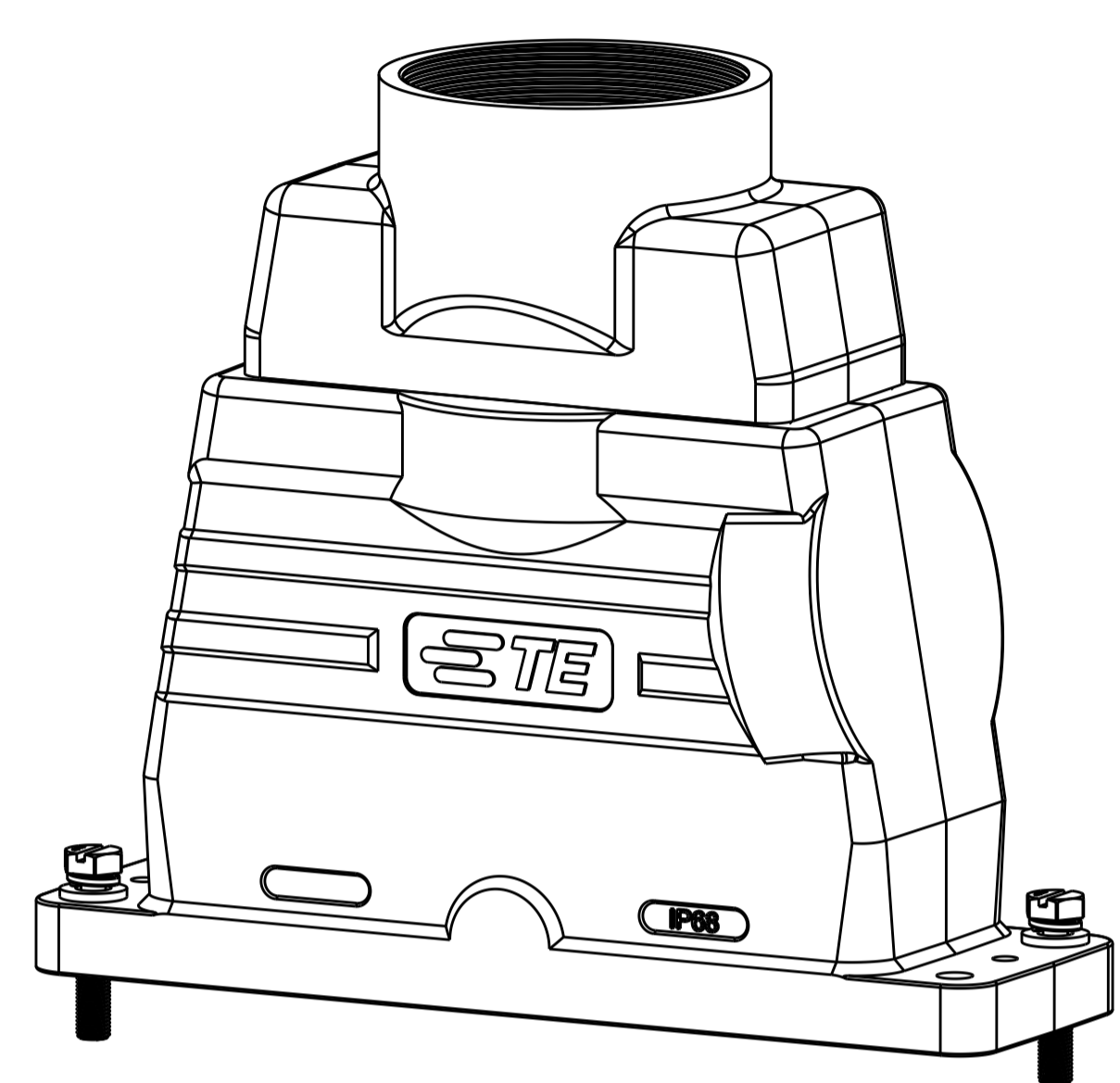
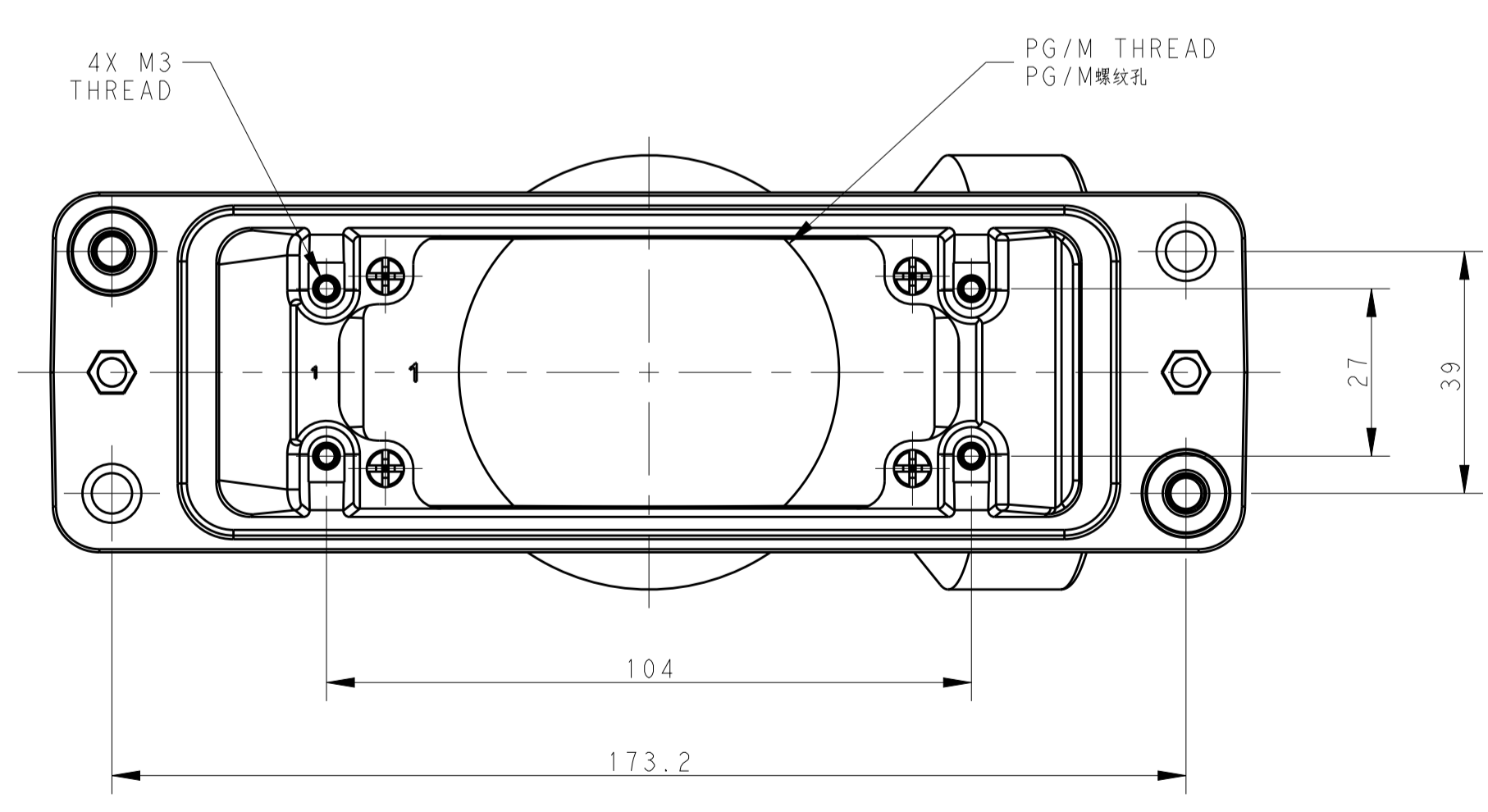


REVISIONS				
P	LTN	DESCRIPTION	DATE	APVD
A		INITIAL	03JUN2016	RL CW
A1		ECR-16-012141	30AUG2016	RL CW
A2		ECR-16-015006	26OCT2016	RL CW



NOTES:  
 1. TECHNICAL CHARACTERISTICS:  
 HOOD MATERIAL: DIE CAST ALUMINIUM ALLOY  
 SURFACE TREATMENT: POWDER COATED, BLACK  
 DEGREE OF PROTECTION: IP68 (MATED)

注释:  
 1. 技术参数:  
 壳体材料: 铝合金  
 表面处理: 黑色粉末喷涂  
 防护等级: IP68 (配合)



T1926240150-000	H24BPR-TGXH-4S-M50	H24BPR HEIGHTEN HOOD, QUADRANGLED LOCKING, TOP ENTRY M50, POWDER COATED, BLACK H24BPR加高上壳, 四角锁定, 顶出M50, 黑色粉末喷涂	M50
T1926240163-000	H24BPR-TGXH-4S-M63	H24BPR HEIGHTEN HOOD, QUADRANGLED LOCKING, TOP ENTRY M63, POWDER COATED, BLACK H24BPR加高上壳, 四角锁定, 顶出M63, 黑色粉末喷涂	M63
PART NUMBER 料号	PART DESCRIPTION 描述		PG/M THREAD PG/M螺纹孔

THIS DRAWING IS A CONTROLLED DOCUMENT.		DWN: ROY LIU 03JUN2016	TE Connectivity
DIMENSIONS: mm		CHK: KYLE ZENG 03JUN2016	
TOLERANCES UNLESS OTHERWISE SPECIFIED:		APVD: CHRIS WANG 03JUN2016	NAME: H24BPR-TGXH-4S-MXX
0 PLC ±		PRODUCT SPEC: 108-137014	SIZE: A1
1 PLC ±		APPLICATION SPEC: 114-137014	CAGE CODE: -
2 PLC ±		WEIGHT: -	DRAWING NO: C-T19262401XX00X
3 PLC ±		MATERIAL: -	RESTRICTED TO: -
4 PLC ±		FINISH: -	SCALE: 1:1
ANGLES ±		CUSTOMER DRAWING	SHEET 1 OF 1
MATERIAL: -			REV: A2