

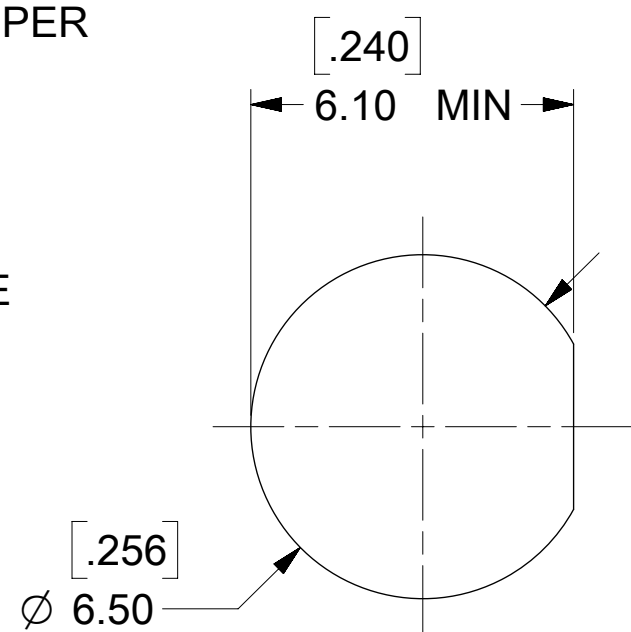
MATERIALS AND FINISHES:

BODY, JAM NUT: BRASS  
FINISH: SEE TABLE

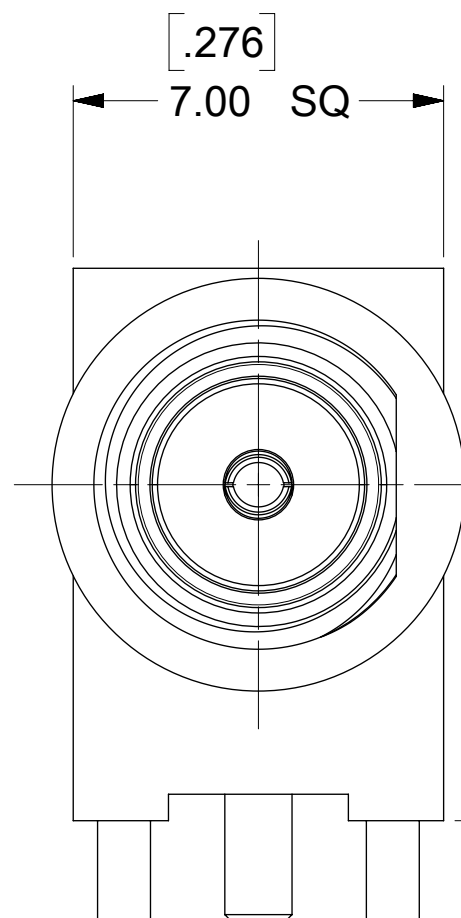
CENTER CONTACT: BERYLLIUM COPPER  
PLATED GOLD

INSULATOR: TEFLON

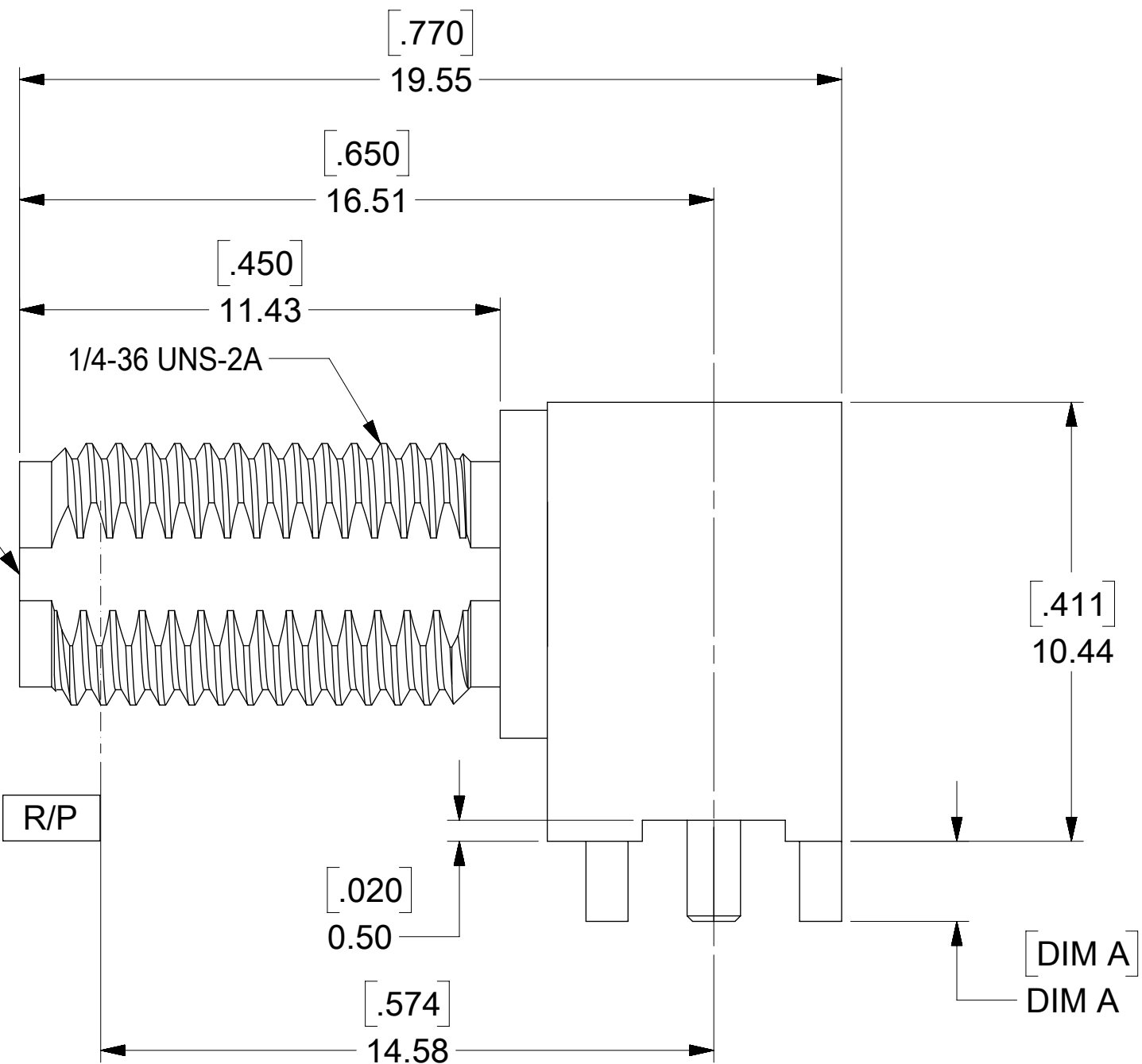
LOCK WASHER: PHOSPHOR BRONZE  
FINISH: SEE TABLE



PANEL CUTOUT  
3.42 / .135 MAX  
THICKNESS

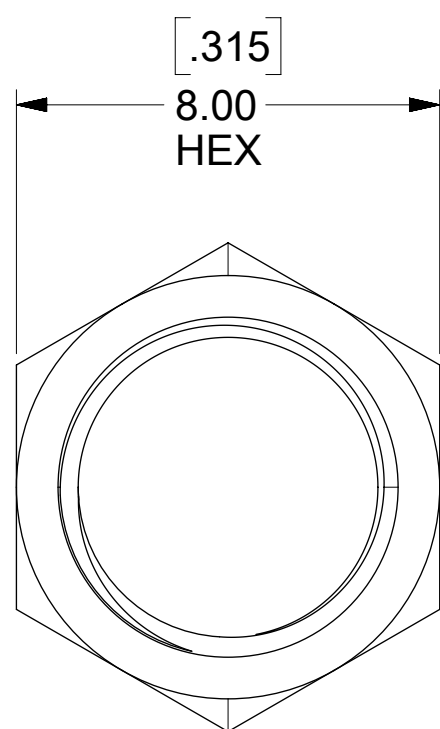


SMA JACK  
INTERFACE

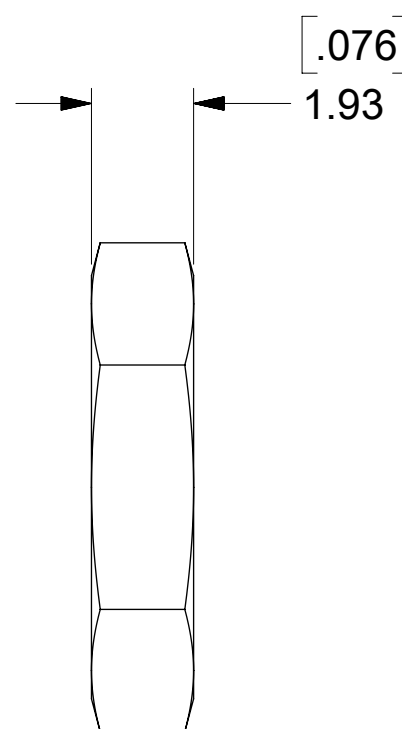


R/P

DIM A  
DIM A

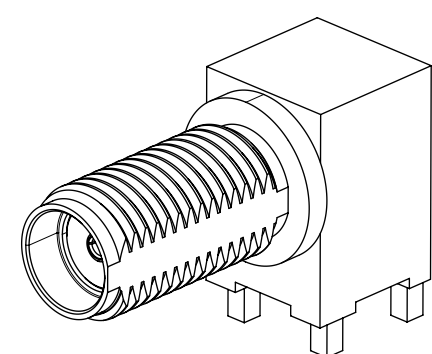
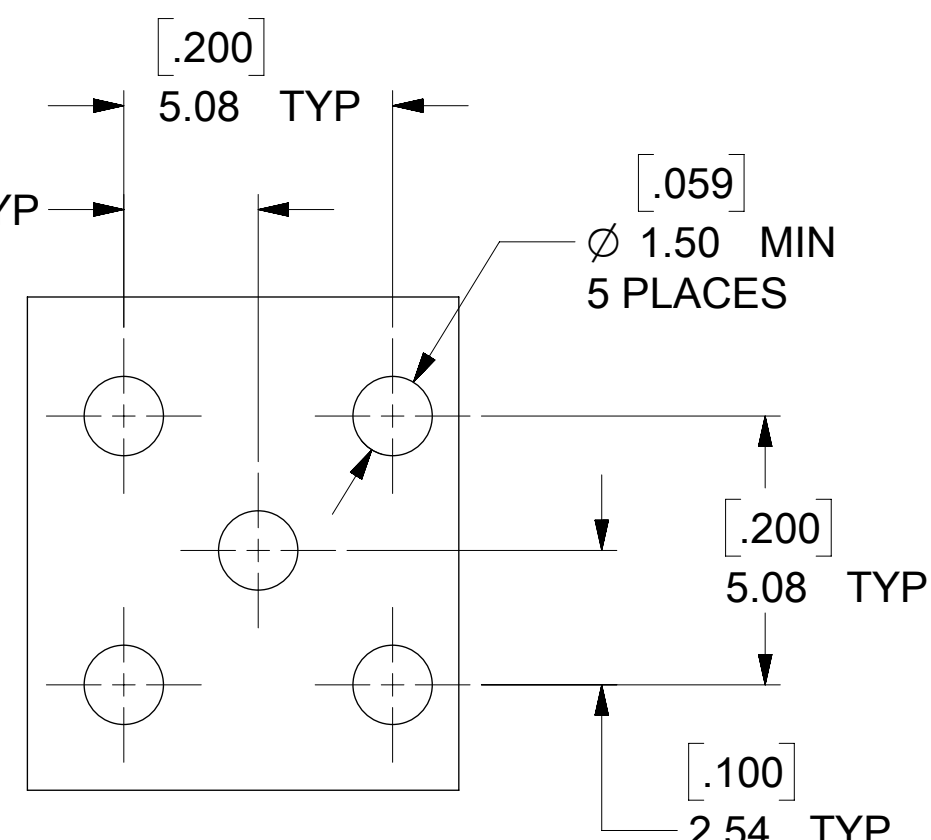


JAM NUT



LOCK WASHER

Ø 9.60



SD-73251-496 IS CONTINUATION FOR SD-73251-220

PART NO.	JAM NUT QTY	LOCK WASHER QTY	MM / IN	PLATING (BODY, NUT, LOCKWASHER) PACKAGING
73251-4963	NOT INCLUDED	NOT INCLUDED	2.79 / .110	GOLD / STANDARD TRAY
73251-4962	1	NOT INCLUDED	2.79 / .110	NICKEL PLATED/ STANDARD TRAY
73251-4961	2	1	3.94 / .155	GOLD FLASH / STANDARD TRAY
73251-4960	1	1	1.91 / .075	GOLD FLASH / STANDARD TRAY
	INCLUDED	INCLUDED	DIM A	

PS-89675-3460	PRODUCT SPECIFICATION
MIL-STD-348A, FIG. 310.2	INTERFACE
SPECIFICATION	DESCRIPTION

THIS DRAWING CONTAINS INFORMATION THAT IS PROPRIETARY TO MOLEX ELECTRONIC TECHNOLOGIES, LLC AND SHOULD NOT BE USED WITHOUT WRITTEN PERMISSION

PDR17022392 EC NO: 113593 DRWN: JSU18 CHKD: YCHENG REV: APPR:	2017/02/15	2017/02/21	GENERAL TOLERANCES (UNLESS SPECIFIED)	DIMENSION UNITS: MM	SCALE: 1:1	
	2017/02/15	2017/02/21	ANGULAR TOL ± °	DRWN BY: JLEE02	DATE: 2014/03/28	
			4 PLACES ±	CHKD BY:	DATE:	SMA JACK RA BLKHD RM PCB TH SMA-J/RA/PCB, EWR-2144
			3 PLACES ±	APPR BY: WSPINK	DATE: 2014/03/28	
			2 PLACES ±	DRAWING SIZE: C	THIRD ANGLE PROJECTION	PRODUCT CUSTOMER DRAWING
			1 PLACE ±			SERIES: 73251
			0 PLACES ±			MATERIAL NUMBER: SD-73251-496
			DRAFT WHERE APPLICABLE MUST REMAIN WITHIN DIMENSIONS			CUSTOMER: GENERAL MARKET
						DOCUMENT NUMBER: SD-73251-496
						DOC TYPE: PSD
						DOC PART: 000
						SHEET NUMBER: 1 OF 1

B3	BASE ON 73251-2201 TO ADD NEW PART NUMBER TO REMOVE LOCK WASHER AND JAM NUT
REVISION	DESCRIPTION

RELEASE STATUS	RELEASE DATE
12	11