

10 9 8 7 6 5 4 3 2 1

F

F

E

E

D

D

C

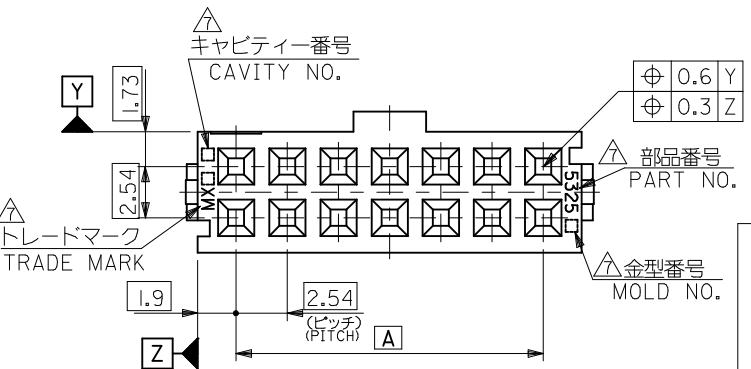
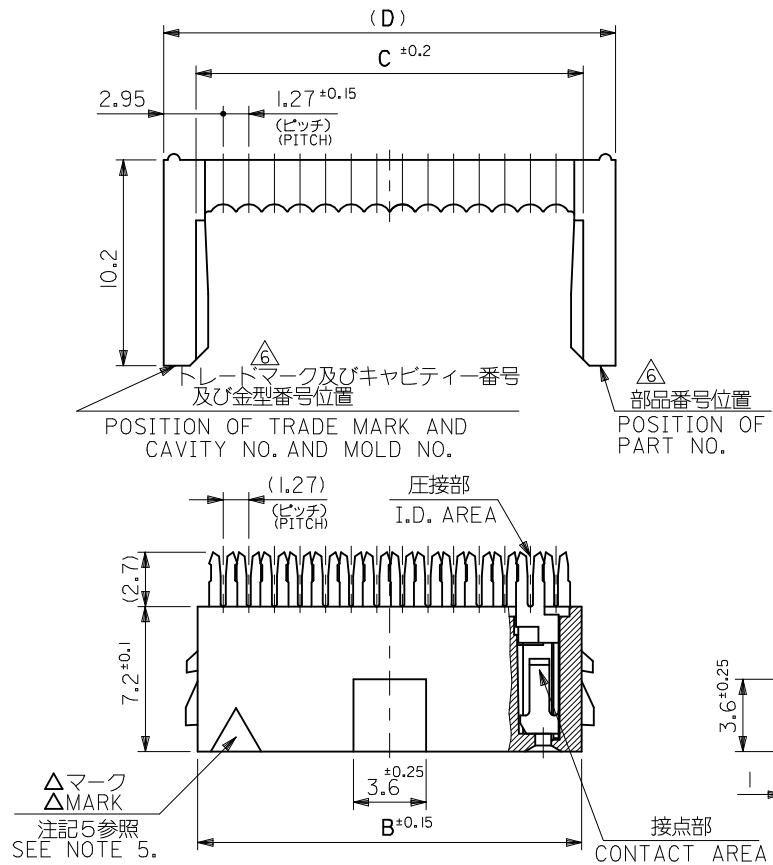
C

B

B

A

A



コード・ CODE	△マークの色 MARK COLOR	接触部メッキ CONTACT AREA PLATE	圧接部メッキ I. D. AREA PLATE	下地メッキ UNDER PLATE
LEAD FREE G1	白 WHITE	金 GOLD 0.1μm MIN.	金 GOLD 0.1μm MIN.	ニッケル NICKEL 1μm MIN.
LEAD FREE G2	橙 ORANGE	金 GOLD 0.76μm MIN.		
LEAD FREE G3	緑 GREEN	金 GOLD 0.25μm MIN.		
GS1	黄 YELLOW	金 GOLD 0.1μm MIN.	半田 TIN-LEAD 1μm MIN.	
GS2	茶 BROWN	金 GOLD 0.76μm MIN.		
GS3	青 BLUE	金 GOLD 0.25μm MIN.		
GS4	金 GOLD	金 GOLD 1.27μm MIN.		
LEAD FREE GS17F	黄 YELLOW	金 GOLD 0.1μm MIN.	錫 TIN 1μm MIN.	
LEAD FREE GS27F	茶 BROWN	金 GOLD 0.76μm MIN.		
LEAD FREE GS37F	青 BLUE	金 GOLD 0.25μm MIN.		
LEAD FREE GS47F	金 GOLD	金 GOLD 1.27μm MIN.		
LEAD FREE T2	黒 BLACK	錫 TIN 0.9μm MIN. リフロー処理 (前メッキ) REFLOW (PRE-PLATED)	—	—

60	73.66	77.46	77.63	80.83
50	60.96	64.76	64.93	68.13
40	48.26	52.06	52.23	55.43
34	40.64	44.44	44.61	47.81
30	35.56	39.36	39.53	42.73
26	30.48	34.28	34.45	37.65
20	22.86	26.66	26.83	30.03
16	17.78	21.58	21.75	24.95
14	15.24	19.04	19.21	22.41
10	10.16	13.96	14.13	17.33
極数 No. of Pins	A 寸法 DIM.A	B 寸法 DIM.B	C 寸法 DIM.C	D 寸法 DIM.D

REVISED EC NO: J2013-0569 DRWN:KMATSUYAMA 2012/12/04 CHKD:KASAKAWA 2012/12/18 APPR:YOITO 2012/12/19	GENERAL TOLERANCES (UNLESS SPECIFIED)		DIMENSION STYLE MM ONLY		SCALE 4:1	DESIGN UNITS METRIC	THIRD ANGLE PROJECTION
	10 UNDER	±0.2	DRAWN BY SMATSUZAKI	DATE 1997/04/23	TITLE QIK FLECS FEMALE ASSY		
	10 OVER 30 UNDER	±0.25	CHECKED BY KTOJO	DATE 1997/10/13			
	30 OVER	±0.3	APPROVED BY YOITO	DATE 2012/12/19			
ANGULAR ±3 °	DRAFT WHERE APPLICABLE MUST REMAIN WITHIN DIMENSIONS	MATERIAL NO. SEE SHEET 2	DOCUMENT NO. SD-5320-001	SHEET NO. 1 OF 2			
SIZE A3	THIS DRAWING CONTAINS INFORMATION THAT IS PROPRIETARY TO MOLEX INCORPORATED AND SHOULD NOT BE USED WITHOUT WRITTEN PERMISSION						


9 8 7 6 5 4 3 2

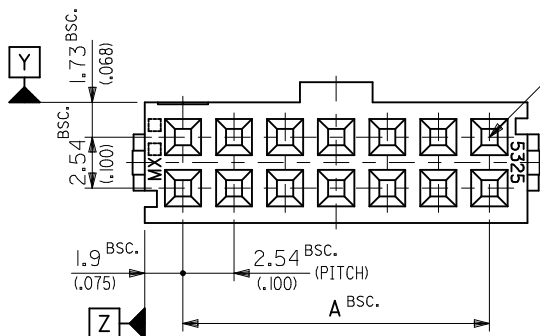
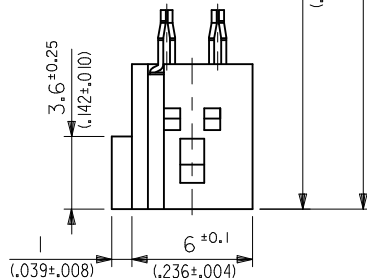
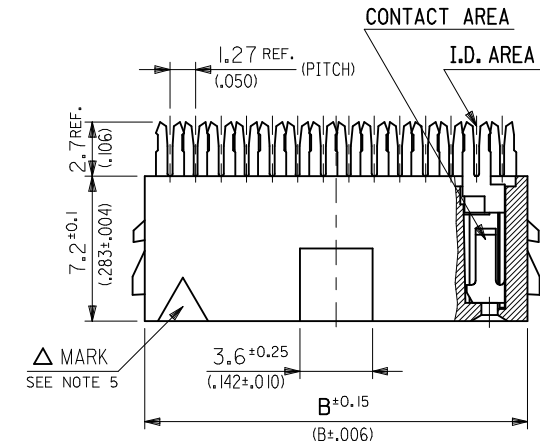
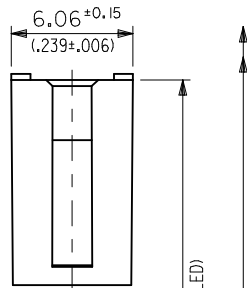
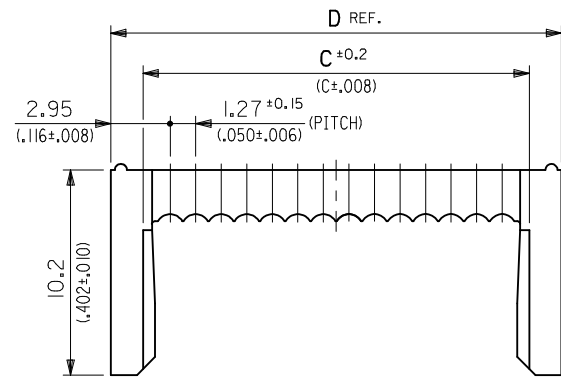
注記 NOTES

- 1. 材料 ハウジング : ガラス繊維 5%入りPBTP (UL94V-0), 黒色  
ターミナル : リン青銅  
MATERIAL HOUSING : PBT (15%G.F.), UL94V-0, BLACK  
TERMINAL : PHOS.BRO.
- 2. 適用電線 : 1.27ピッチリボンケーブル 被覆外径 :  $\phi 1.14$  MAX.  
より線 : AWG#26 ~ #28 (芯線7本構成)  
単線 : AWG#28  
FOR USE WITH AWG#26 & #28 STRANDED WIRE  
(CONSISTS OF 7 CONDUCTORS) AND #28 SOLID WIRE,  
1.14 DIA. MAX. INSULATION RIBBON CABLE WITH 1.27 CENTERS.
- 3. 適合ストレーンリリーフ : 5328-N  
MATES WITH STRAIN RELIEF OF 5328 SERIES
- 4. 嵌合相手 : 5330,5332,5340,5342 シリーズ  
MATES WITH CONNECTOR SERIES OF 5330,5332,5340 & 5342
- 5. 使用符号の説明 LEGEND **5320 - N A \* - \***  
ベースナンバー BASE NUMBER  
回路サイズ CIRCUIT SIZE  
アンロード上ハウジング UNLOADED UPPER HOUSING  
ターミナルのメッキコード PLATING CODE OF TERMINAL  
ハウジングの色 MATERIAL COLOR  
BLANK : BLACK  
GY : GLAY
- △ トレードマーク: MXプラス1文字の製造工場を示すアルファベットにて構成  
但し、J\*はJAPANを示す。(例 MX J)  
キャビティー番号: 1桁の数字で表示  
金型番号: アルファベット1文字にて構成。  
部品番号: 5327と表示  
FORMED BY MX AND 1 MORE LETTER OF ALPHABET WHICH MEAN  
THE MANUFACTORY, BUT 'J' MEANS JAPAN. (TO TRADE MARK) (e.g. MXJ)  
AND BY 1 DIGIT NUMBER (TO CAVITY NO.)  
AND BY 1 LETTER OF ALPHABET (TO MOLD NO.)  
PART NO.: INDICATE 5327
- △ 部品番号: 5325と表示  
その他は△と同内容で記載  
PART NO.: INDICATE 5325  
INDICATE THE SAME △, OTHERWISE ENG.NO.

39-53 -5641	5320-64AGS37F-GY	39-53 -5640	5320-64AGS27F-GY	39-53 -4649	5320-64AGS17F-GY			39-53 -3644	5320-64AGS37F	39-53 -4647	5320-64AGS27F	39-53 -4646	5320-64AGS17F	64
↑ -5601	↑ -60AGS37F-GY	↑ -5600	↑ -60AGS27F-GY	↑ -4609	↑ -60AGS17F-GY			↑ -3604	↑ -60AGS37F	↑ -4607	↑ -60AGS27F	↑ -4606	↑ -60AGS17F	60
↑ -5501	↑ -50AGS37F-GY	↑ -5500	↑ -50AGS27F-GY	↑ -4509	↑ -50AGS17F-GY	39-53 -4508	5320 -50AGS47F	↑ -3504	↑ -50AGS37F	↑ -4507	↑ -50AGS27F	↑ -4506	↑ -50AGS17F	50
								↑ -3444	↑ -44AGS37F					44
														40
↑ -5401	↑ -40AGS37F-GY	↑ -5400	↑ -40AGS27F-GY	↑ -4409	↑ -40AGS17F-GY					↑ -4407	↑ -40AGS27F	↑ -4406	↑ -40AGS17F	40
↑ -5341	↑ -34AGS37F-GY	↑ -5340	↑ -34AGS27F-GY	↑ -4349	↑ -34AGS17F-GY	↑ -4348	↑ -34AGS47F	↑ -3344	↑ -34AGS37F	↑ -4347	↑ -34AGS27F	↑ -4346	↑ -34AGS17F	34
↑ -5301	↑ -30AGS37F-GY	↑ -5300	↑ -30AGS27F-GY	↑ -4309	↑ -30AGS17F-GY			↑ -3304	↑ -30AGS37F	↑ -4307	↑ -30AGS27F	↑ -4306	↑ -30AGS17F	30
↑ -5261	↑ -26AGS37F-GY	↑ -5260	↑ -26AGS27F-GY	↑ -4269	↑ -26AGS17F-GY			↑ -3264	↑ -26AGS37F	↑ -4267	↑ -26AGS27F	↑ -4266	↑ -26AGS17F	26
↑ -5201	↑ -20AGS37F-GY	↑ -5200	↑ -20AGS27F-GY	↑ -4209	↑ -20AGS17F-GY			↑ -3204	↑ -20AGS37F	↑ -4207	↑ -20AGS27F	↑ -4206	↑ -20AGS17F	20
↑ -5161	↑ -16AGS37F-GY	↑ -5160	↑ -16AGS27F-GY	↑ -4169	↑ -16AGS17F-GY	↑ -4168	↑ -16AGS47F	↑ -3164	↑ -16AGS37F	↑ -4167	↑ -16AGS27F	↑ -4166	↑ -16AGS17F	16
↑ -5141	↑ -14AGS37F-GY	↑ -5140	↑ -14AGS27F-GY	↑ -4149	↑ -14AGS17F-GY	39-53 -4148	5320 -14AGS47F	↑ -3144	↑ -14AGS37F	↑ -4147	↑ -14AGS27F	↑ -4146	↑ -14AGS17F	14
														12
39-53 -5101	5320-10AGS37F-GY	39-53 -5100	5320-10AGS27F-GY	39-53 -4109	5320-10AGS17F-GY			39-53 -3104	5320-10AGS37F	39-53 -4107	5320-10AGS27F	39-53 -4106	5320-10AGS17F	10
	EDP NO. ENG. NO.		EDP NO. ENG. NO.		EDP NO. ENG. NO.		EDP NO. ENG. NO.		EDP NO. ENG. NO.		EDP NO. ENG. NO.		EDP NO. ENG. NO.	NO. OF CKTS.
5320-NAGS37F-GY	LEAD FREE-	5320-NAGS27F-GY	LEAD FREE-	5320-NAGS17F-GY	LEAD FREE-	5320-NAGS47F	LEAD FREE-	5320-NAGS37F	LEAD FREE-	5320-NAGS27F	LEAD FREE-	5320-NAGS17F	LEAD FREE-	
39-51-7647	5320-64AGS3-GY	39-51-7646	5320-64AGS2-GY	39-51-7645	5320-64AGS1-GY			39-51-2642	5320-64AGS3	39-51-2641	5320-64AGS2	39-51-2640	5320-64AGS1	64
↑ -7607	↑ -60AGS3-GY	↑ -7606	↑ -60AGS2-GY	↑ -7605	↑ -60AGS1-GY			↑ -2602	↑ -60AGS3	↑ -2601	↑ -60AGS2	↑ -2600	↑ -60AGS1	60
						39-51-8509	5320-50AGS4	↑ -2502	↑ -50AGS3	↑ -2501	↑ -50AGS2	↑ -2500	↑ -50AGS1	50
								↑ -2442	↑ -44AGS3					44
								↑ -2402	↑ -40AGS3	↑ -2401	↑ -40AGS2	↑ -2400	↑ -40AGS1	40
								↑ -2342	↑ -34AGS3	↑ -2341	↑ -34AGS2	↑ -2340	↑ -34AGS1	34
						↑ -8349	↑ -34AGS4	↑ -2302	↑ -30AGS3	↑ -2301	↑ -30AGS2	↑ -2300	↑ -30AGS1	30
								↑ -2262	↑ -26AGS3	↑ -2261	↑ -26AGS2	↑ -2260	↑ -26AGS1	26
								↑ -2202	↑ -20AGS3	↑ -2201	↑ -20AGS2	↑ -2200	↑ -20AGS1	20
								↑ -2162	↑ -16AGS3	↑ -2161	↑ -16AGS2	↑ -2160	↑ -16AGS1	16
						39-51-8149	5320-14AGS4	↑ -2142	↑ -14AGS3	↑ -2141	↑ -14AGS2	↑ -2140	↑ -14AGS1	14
														12
39-51-7107	5320-10AGS3-GY	39-51-7106	5320-10AGS2-GY	39-51-7105	5320-10AGS1-GY			39-51-2102	5320-10AGS3	39-51-2101	5320-10AGS2	39-51-2100	5320-10AGS1	10
	EDP NO. ENG. NO.		EDP NO. ENG. NO.		EDP NO. ENG. NO.		EDP NO. ENG. NO.		EDP NO. ENG. NO.		EDP NO. ENG. NO.		EDP NO. ENG. NO.	NO. OF CKTS.
5320-NAGS3-GY		5320-NAGS2-GY		5320-NAGS1-GY		5320-NAGS4		5320-NAGS3		5320-NAGS2		5320-NAGS1		

								39-51-0605	5320-60AG3	15-29-3602	5320-60AG2	15-29-3601	5320-60AG1	64		
								↑ -0505	↑ -50AG3	↑ -3502	↑ -50AG2	↑ -3501	↑ -50AG1	60		
						39-52-1504	5320-50AT2							50		
								↑ -1404	↑ -40AT2	↑ -0405	↑ -40AG3	↑ -3402	↑ -40AG2	↑ -3401	↑ -40AG1	40
								↑ -1344	↑ -34AT2	↑ -0345	↑ -34AG3	↑ -3342	↑ -34AG2	↑ -3341	↑ -34AG1	34
								↑ -1304	↑ -30AT2					↑ -3301	↑ -30AG1	30
								↑ -1264	↑ -26AT2	↑ -0265	↑ -26AG3	↑ -3262	↑ -26AG2	↑ -3261	↑ -26AG1	26
								↑ -1204	↑ -20AT2	↑ -0205	↑ -20AG3	↑ -3202	↑ -20AG2	↑ -3201	↑ -20AG1	20
								↑ -1164	↑ -16AT2	↑ -0165	↑ -16AG3	↑ -3162	↑ -16AG2	↑ -3161	↑ -16AG1	16
								↑ -1144	↑ -14AT2	↑ -0145	↑ -14AG3	↑ -3142	↑ -14AG2	↑ -3141	↑ -14AG1	14
								↑ -1124	↑ -12AT2							12
39-52-1104	5320-10AT2	39-51-0105	5320-10AG3	15-29-3102	5320-10AG2	15-29-3101	5320-10AG1							10		
	EDP NO. ENG. NO.		EDP NO. ENG. NO.		EDP NO. ENG. NO.		EDP NO. ENG. NO.							NO. OF CKTS.		
5320-NAT2	LEAD FREE-	5320-NAG3		5320-NAG2		5320-NAG1										

REVISED EC NO.: J2013-0569 DRAWN: KMAI TSUYAMA 2012/12/04 CHKD: KASAKAWA 2012/12/18 APPR: Y0110 2012/12/19	GENERAL TOLERANCES (UNLESS SPECIFIED)		DIMENSION STYLE MM ONLY		SCALE 4:1	DESIGN UNITS METRIC	THIRD ANGLE PROJECTION
	10 UNDER	± 0.2	DRAWN BY SMATSUZAKI	DATE 1997/04/23	TITLE QIK FLECS FEMALE ASSY		
	10 OVER 30 UNDER	± 0.25	CHECKED BY KTOJO	DATE 1997/10/13			
	30 OVER	± 0.3	APPROVED BY Y0110	DATE 2012/12/19			
ANGULAR ± 3°		MATERIAL NO.	DOCUMENT NO.	SEE CHART		SD-5320-001	SHEET NO. 2 OF 2
DRAFT WHERE APPLICABLE MUST REMAIN WITHIN DIMENSIONS		SIZE A3	THIS DRAWING CONTAINS INFORMATION THAT IS PROPRIETARY TO MOLEX INCORPORATED AND SHOULD NOT BE USED WITHOUT WRITTEN PERMISSION				



⊕ 0.6 (.024) Y
⊕ 0.3 (.012) Z

**NOTES**

- MATERIAL  
HOUSING : G.F. 15% PBTP (UL94V-0)  
TERMINAL : PHOSPHOR BRONZE
- FOR USE WITH AWC#26 & #28 STRANDED WIRE (CONSISTS OF 7 CONDUCTORS) AND #28 SOLID WIRE.  
1.14(.045) DIA. MAX. INSULATION RIBBON CABLE WITH 1.27(.050) CENTERS.
- MATES WITH STRAIN RELIEF OF 5328 SERIES.
- MATES WITH CONNECTOR SERIES OF 5330,5332,5340,5342,5576 & 5578.
- LEGEND

5320 - N A \* - \*

BASE NUMBER \_\_\_\_\_ MATERIAL COLOR  
CIRCUIT SIZE \_\_\_\_\_ BLANK : BLACK  
UNLOADED UPPER HOUSING \_\_\_\_\_ GY : GREY  
PLATING CODE OF TERMINAL \_\_\_\_\_

CODE : *	Δ MARK COLOR	CONTACT AREA PLATE	I. D. AREA PLATE	UNDER PLATE
GS1	YELLOW	GOLD 0.1μm(4μ") MIN.	TIN-LEAD	NICKEL 1 μm(39μ") MIN.
GS3	BLUE	GOLD 0.25μm(10μ") MIN.	1 μm(39μ") MIN.	
LEAD FREE GS17F	YELLOW	GOLD 0.1um(4u") MIN.	TIN 1 μm(39μ") MIN.	
LEAD FREE GS37F	BLUE	GOLD 0.25μm(10μ") MIN.		
LEAD FREE T2	BLACK	TIN 0.9μm(35μ") MIN. REFLOW (PRE-PLATED)	WITHOUT	WITHOUT

NO. OF CKTS.	DIM. A	DIM. B	DIM. C	DIM. D
64	78.74 (3.100)	82.54 (3.250)	82.71 (3.256)	85.91 (3.382)
60	73.66 (2.900)	77.46 (3.050)	77.63 (3.056)	80.83 (3.182)
50	60.96 (2.400)	64.76 (2.550)	64.93 (2.556)	68.13 (2.682)
40	48.26 (1.900)	52.06 (2.050)	52.23 (2.056)	55.43 (2.182)
34	40.64 (1.600)	44.44 (1.750)	44.61 (1.756)	47.81 (1.882)
30	35.56 (1.400)	39.36 (1.550)	39.53 (1.556)	42.73 (1.682)
26	30.48 (1.200)	34.28 (1.350)	34.45 (1.356)	37.65 (1.482)
20	22.86 (.900)	26.66 (1.050)	26.83 (1.056)	30.03 (1.182)
16	17.78 (.700)	21.58 (.850)	21.75 (.856)	24.95 (.982)
14	15.24 (.600)	19.04 (.750)	19.21 (.756)	22.41 (.882)
12	12.70 (.500)	16.50 (.650)	16.67 (.656)	19.87 (.782)
10	10.16 (.400)	13.96 (.550)	14.13 (.556)	17.33 (.682)

<b>REVISED</b> EC NO: J2013-0569 DRW:KMATSUYAMA 2012/11/16 CHKD:KASAKAWA 2012/12/18 APPR: Y0110 2012/12/19	GENERAL TOLERANCES (UNLESS SPECIFIED)		DIMENSION STYLE <b>MM ONLY</b>		SCALE <b>4:1</b>		DESIGN UNITS <b>METRIC</b>		THIRD ANGLE PROJECTION	
	10 UNDER	±0.2	DRAWN BY HIRAMOTO		DATE 1990/07/11		TITLE			
	10 OVER 30 UNDER	±0.25	CHECKED BY MSASAO		DATE		<b>QIK FLECS FEMALE ASSY</b> <b>ENGLISH ONLY</b>			
	30 OVER	±0.3	APPROVED BY Y0110		DATE 2012/12/19					
ANGULAR ±3 °		DRAFT WHERE APPLICABLE MUST REMAIN WITHIN DIMENSIONS		MATERIAL NO. <b>SEE SHEET 2</b>		DOCUMENT NO. <b>SD-5320-002</b>		SHEET NO. <b>1 OF 2</b>		THIS DRAWING CONTAINS INFORMATION THAT IS PROPRIETARY TO MOLEX INCORPORATED AND SHOULD NOT BE USED WITHOUT WRITTEN PERMISSION

				60
39-52-1504	5320-50AT2			50
▲ -1404	▲ -40AT2			40
▲ -1344	▲ -34AT2			34
▲ -1304	▲ -30AT2			30
▲ -1264	▲ -26AT2			26
▲ -1204	▲ -20AT2			20
▲ -1164	▲ -16AT2			16
▼ -1144	▼ -14AT2			14
39-52-1104	5320-10AT2			10
EDP NO.	ENG. NO.			NO. OF CKTS.
5320-NAT2	-LEAD FREE-			

39-53-3604	5320-60AGS37F	39-51-2602	5320-60AGS3	60
▲ -3504	▲ -50AGS37F	▲ -2502	▲ -50AGS3	50
▲ -3344	▲ -34AGS37F	▲ -2402	▲ -40AGS3	40
▲ -3304	▲ -30AGS37F	▲ -2342	▲ -34AGS3	34
▲ -3264	▲ -26AGS37F	▲ -2302	▲ -30AGS3	30
▲ -3204	▲ -20AGS37F	▲ -2262	▲ -26AGS3	26
▲ -3164	▲ -16AGS37F	▲ -2202	▲ -20AGS3	20
▼ -3144	▼ -14AGS37F	▲ -2162	▲ -16AGS3	16
▼ -3104	▼ -10AGS37F	▼ -2142	▼ -14AGS3	14
39-53-3104	5320-10AGS37F	39-51-2102	5320-10AGS3	10
EDP NO.	ENG. NO.	EDP NO.	ENG. NO.	NO. OF CKTS.
5320-NAGS37F	-LEAD FREE-	5320-NAGS3		
39-53-4606	5320-60AGS17F	39-51-2600	5320-60AGS1	60
▲ -4506	▲ -50AGS17F	▲ -2500	▲ -50AGS1	50
▲ -4406	▲ -40AGS17F	▲ -2400	▲ -40AGS1	40
▲ -4346	▲ -34AGS17F	▲ -2340	▲ -34AGS1	34
▲ -4306	▲ -30AGS17F	▲ -2300	▲ -30AGS1	30
▲ -4266	▲ -26AGS17F	▲ -2260	▲ -26AGS1	26
▲ -4206	▲ -20AGS17F	▲ -2200	▲ -20AGS1	20
▲ -4166	▲ -16AGS17F	▲ -2160	▲ -16AGS1	16
▼ -4146	▼ -14AGS17F	▲ -2140	▲ -14AGS1	14
39-53-4106	5320-10AGS17F	39-51-2100	5320-10AGS1	10
EDP NO.	ENG. NO.	EDP NO.	ENG. NO.	NO. OF CKTS.
5320-NAGS17F	-LEAD FREE-	5320-NAGS1		

REVISED EC NO: J2013-0569 DRWN:KMATSUYAMA 2012/11/16 CHKD:KASAKAWA 2012/12/18 APPR: YOITTO 2012/12/19	GENERAL TOLERANCES (UNLESS SPECIFIED)		DIMENSION STYLE MM ONLY		SCALE 4:1	DESIGN UNITS METRIC	THIRD ANGLE PROJECTION	
	10 UNDER	± 0.2	DRAWN BY HIRAMOTO	DATE 1990/07/11	TITLE QIK FLECS FEMALE ASSY ENGLISH ONLY			
	10 OVER 30 UNDER	± 0.25	CHECKED BY MSASAO	DATE				
	30 OVER	± 0.3	APPROVED BY YOITTO	DATE 2012/12/19	MATERIAL NO. SEE CHART		DOCUMENT NO. SD-5320-002	
ANGULAR ±3 °		DRAFT WHERE APPLICABLE MUST REMAIN WITHIN DIMENSIONS						

10 9 8 7 6 5 4 3 2 1

F

F

E

E

D

D

C

C

B

B

A

A

		60
39-52-1504	5320-50AT2	50
▲ -1404	▲ -40AT2	40
-1344	-34AT2	34
-1304	-30AT2	30
-1264	-26AT2	26
-1204	-20AT2	20
-1164	-16AT2	16
▼ -1144	▼ -14AT2	14
39-52-1104	5320-10AT2	10
EDP NO.	ENG. NO.	NO. OF CKTS.
5320-NAT2	-LEAD FREE-	

39-53-3604	5320-60AGS37F	39-51-2602	5320-60AGS3	60
▲ -3504	▲ -50AGS37F	▲ -2502	▲ -50AGS3	50
-3404	-40AGS37F	-2402	-40AGS3	40
-3344	-34AGS37F	-2342	-34AGS3	34
-3304	-30AGS37F	-2302	-30AGS3	30
-3264	-26AGS37F	-2262	-26AGS3	26
-3204	-20AGS37F	-2202	-20AGS3	20
-3164	-16AGS37F	-2162	-16AGS3	16
▼ -3144	▼ -14AGS37F	▼ -2142	▼ -14AGS3	14
39-53-3104	5320-10AGS37F	39-51-2102	5320-10AGS3	10
EDP NO.	ENG. NO.	EDP NO.	ENG. NO.	NO. OF CKTS.
5320-NAGS37F	-LEAD FREE-	5320-NAGS3		
39-53-4606	5320-60AGS17F	39-51-2600	5320-60AGS1	60
▲ -4506	▲ -50AGS17F	▲ -2500	▲ -50AGS1	50
-4406	-40AGS17F	-2400	-40AGS1	40
-4346	-34AGS17F	-2340	-34AGS1	34
-4306	-30AGS17F	-2300	-30AGS1	30
-4266	-26AGS17F	-2260	-26AGS1	26
-4206	-20AGS17F	-2200	-20AGS1	20
-4166	-16AGS17F	-2160	-16AGS1	16
▼ -4146	▼ -14AGS17F	▼ -2140	▼ -14AGS1	14
39-53-4106	5320-10AGS17F	39-51-2100	5320-10AGS1	10
EDP NO.	ENG. NO.	EDP NO.	ENG. NO.	NO. OF CKTS.
5320-NAGS17F	-LEAD FREE-	5320-NAGS1		

REVISED EC NO: J2006-0712 DRWN: YANAGI MOTO 2005/10/03 CHKD: TANAKA 2005/10/06 APPR: NUKITA 2005/10/14	GENERAL TOLERANCES (UNLESS SPECIFIED)		DIMENSION STYLE	SCALE	DESIGN UNITS	THIRD ANGLE PROJECTION	
	10 UNDER	± 0.2	MM ONLY	4:1	METRIC	◎ □	
	10 OVER 30 UNDER	± 0.25	DRAWN BY	DATE	TITLE		
	30 OVER	± 0.3	HHIRAMOTO	1990/07/11	QIK FLECS FEMALE ASSY ENGLISH ONLY		
	ANGULAR	± 3 °	CHECKED BY	DATE	MOLEX MOLEX INCORPORATED		
DRAFT WHERE APPLICABLE MUST REMAIN WITHIN DIMENSIONS		APPROVED BY	DATE	MATERIAL NO.	DOCUMENT NO.	SHEET NO.	
		HIKESUGI		SEE CHART	SD-5320-002	2 OF 2	
		SIZE A3		THIS DRAWING CONTAINS INFORMATION THAT IS PROPRIETARY TO MOLEX INCORPORATED AND SHOULD NOT BE USED WITHOUT WRITTEN PERMISSION			

9

8

7

6

5

4

3

2

注記

- 材料 ハウジング : ガラス繊維 15% 入り PBTP (UL94V-0), 黒色  
ターミナル : リン青銅
- 適用電線 : 1.27 ピッチリボンケーブル 被覆外径 :  $\varnothing 1.14$  MAX.  
より線 : AWC#26 ~ #28 (芯線 7 本構成)  
単線 : AWC#28
- 適合ストレインリリーフ : 5328-N
- 嵌合相手 : 5330, 5332, 5340, 5342 シリーズ
- 使用符号の説明

5320 - N A \*

ベースナンバー

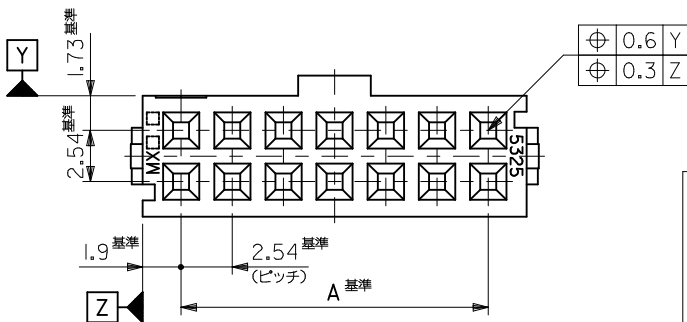
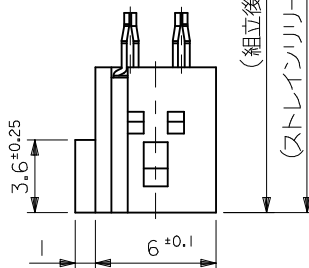
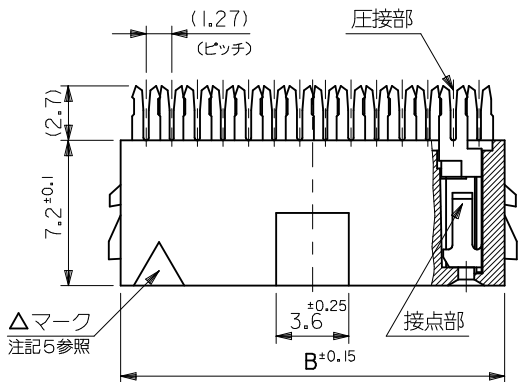
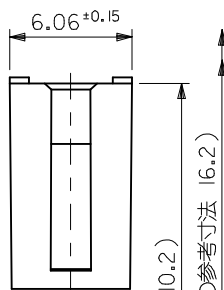
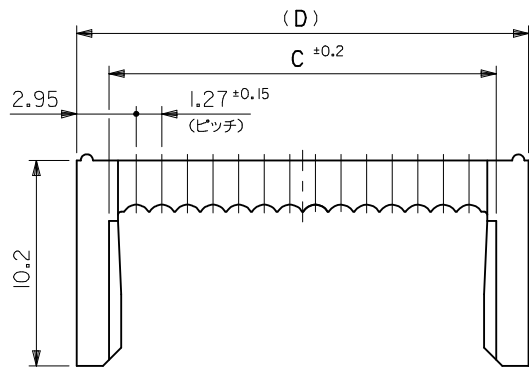
極数

アッパーハウジング分離タイプ

ターミナルのメッキコード

コード:*	△マークの色	接点部メッキ	圧接部メッキ	下地メッキ
GS1	黄	金 0.1 $\mu$ m MIN.	半田 1 $\mu$ m MIN.	ニッケル 1 $\mu$ m MIN.
GS3	青	金 0.25 $\mu$ m MIN.		
LEAD FREE GS17F	黄	金 0.1 $\mu$ m MIN.	錫 1 $\mu$ m MIN.	
LEAD FREE GS37F	青	金 0.25 $\mu$ m MIN.		
LEAD FREE T2	黒	錫 0.9 $\mu$ m MIN. リフロー処理 (前メッキ)		


60	73.66	77.46	77.63	80.83
50	60.96	64.76	64.93	68.13
40	48.26	52.06	52.23	55.43
34	40.64	44.44	44.61	47.81
30	35.56	39.36	39.53	42.73
26	30.48	34.28	34.45	37.65
20	22.86	26.66	26.83	30.03
16	17.78	21.58	21.75	24.95
14	15.24	19.04	19.21	22.41
10	10.16	13.96	14.13	17.33
極数	A 寸法	B 寸法	C 寸法	D 寸法



REVISED EC NO: J2013-0569 DRW:KMATSUYAMA 2012/12/04 CHK:D.KASAKAWA 2012/12/18 APPR:Y01TO 2012/12/19	GENERAL TOLERANCES (UNLESS SPECIFIED)		DIMENSION STYLE MM ONLY		SCALE 4:1	DESIGN UNITS METRIC	THIRD ANGLE PROJECTION
	10 UNDER	±0.2	DRAWN BY H.HIRAMOTO	DATE 1990/07/10	TITLE QIK FLECS FEMALE ASSY		
	10 OVER 30 UNDER	±0.25	CHECKED BY M.SASAO	DATE			
	30 OVER	±0.3	APPROVED BY Y01TO	DATE 2012/12/19			
ANGULAR ±3 °	DRAFT WHERE APPLICABLE MUST REMAIN WITHIN DIMENSIONS	MATERIAL NO. SEE SHEET 2		DOCUMENT NO. SD-5320-007		SHEET NO. 1 OF 2	
SIZE A3 THIS DRAWING CONTAINS INFORMATION THAT IS PROPRIETARY TO MOLEX INCORPORATED AND SHOULD NOT BE USED WITHOUT WRITTEN PERMISSION							

				60
39-52-1504	5320-50AT2			50
▲ -1404	▲ -40AT2			40
-1344	-34AT2			34
-1304	-30AT2			30
-1264	-26AT2			26
-1204	-20AT2			20
-1164	-16AT2			16
▼ -1144	▼ -14AT2			14
39-52-1104	5320-10AT2			10
EDP NO.	ENG. NO.			極 数
5320-NAT2	-LEAD FREE-			

39-53-3604	5320-60AGS37F	39-51-2602	5320-60AGS3	60
▲ -3504	▲ -50AGS37F	▲ -2502	▲ -50AGS3	50
-3404	-40AGS37F	-2402	-40AGS3	40
		-2342	-34AGS3	34
-3304	-30AGS37F	-2302	-30AGS3	30
-3264	-26AGS37F	-2262	-26AGS3	26
-3204	-20AGS37F	-2202	-20AGS3	20
-3164	-16AGS37F	-2162	-16AGS3	16
▼ -3144	▼ -14AGS37F	▼ -2142	▼ -14AGS3	14
39-53-3104	5320-10AGS37F	39-51-2102	5320-10AGS3	10
EDP NO.	ENG. NO.	EDP NO.	ENG. NO.	極 数
5320-NAGS37F	-LEAD FREE-	5320-NAGS3		
39-53-4606	5320-60AGS17F	39-51-2600	5320-60AGS1	60
▲ -4506	▲ -50AGS17F	▲ -2500	▲ -50AGS1	50
-4406	-40AGS17F	-2400	-40AGS1	40
-4346	-34AGS17F	-2340	-34AGS1	34
-4306	-30AGS17F	-2300	-30AGS1	30
-4266	-26AGS17F	-2260	-26AGS1	26
-4206	-20AGS17F	-2200	-20AGS1	20
-4166	-16AGS17F	-2160	-16AGS1	16
▼ -4146	▼ -14AGS17F	▼ -2140	▼ -14AGS1	14
39-53-4106	5320-10AGS17F	39-51-2100	5320-10AGS1	10
EDP NO.	ENG. NO.	EDP NO.	ENG. NO.	極 数
5320-NAGS17F	-LEAD FREE-	5320-NAGS1		

REVISED EC NO: J2013-0569 DRW:KMATSUYAMA 2012/12/04 CHK:D.KASAKAWA 2012/12/18 APPR:Y01TO 2012/12/19	GENERAL TOLERANCES (UNLESS SPECIFIED)		DIMENSION STYLE MM ONLY		SCALE 4:1	DESIGN UNITS METRIC		THIRD ANGLE PROJECTION	
	10 UNDER	± 0.2	DRAWN BY H. HIRAMOTO	DATE 1990/07/10	TITLE QIK FLECS FEMALE ASSY				
	10 OVER 30 UNDER	± 0.25	CHECKED BY M. SASAO	DATE					
	30 OVER	± 0.3	APPROVED BY Y01TO	DATE 2012/12/19					
ANGULAR ±3 °		MATERIAL NO. SEE CHART		DOCUMENT NO. SD-5320-007					
DRAFT WHERE APPLICABLE MUST REMAIN WITHIN DIMENSIONS		SIZE A3 THIS DRAWING CONTAINS INFORMATION THAT IS PROPRIETARY TO MOLEX INCORPORATED AND SHOULD NOT BE USED WITHOUT WRITTEN PERMISSION							