

# Radial lead Type

Series: HW

Country of Origin

Japan

■ Feature

- The smallest size and high-capacitance, low-resistance
- Can be charged and discharged more times than secondary batteries
- Pollution free operation since the activated carbon and organic electrolyte are used as main materials
- Polyvinyl chloride and lead are not in use

■ Recommended Applications

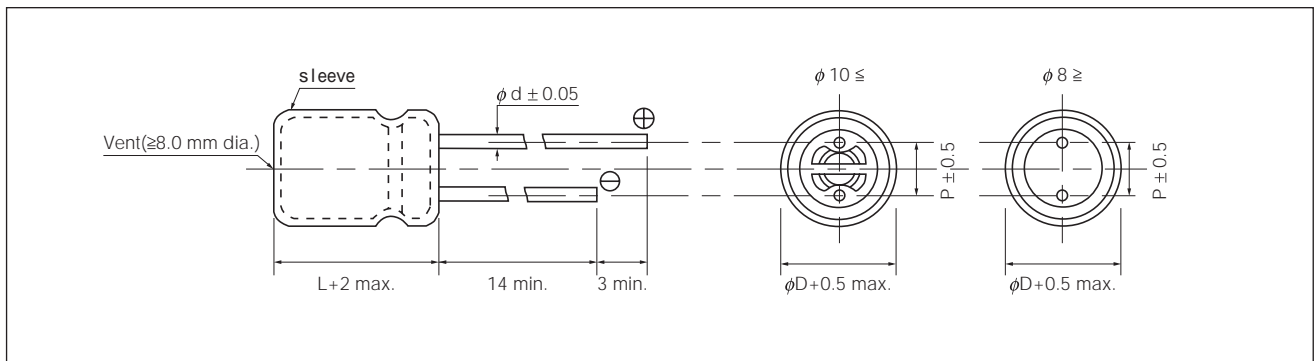
- Solar battery circuit(e.g. Road guidance flasher)
- Quick charge motor drive through quick charge(e.g. Toy car)
- Back-up Power Supplies(e.g. UPS)



■ Specifications

Category temp. range	-25 to +70°C		-25 to +60°C	
Maximum Operating Voltage	2.3 V .DC		2.3 V .DC	
Nominal Cap. Range	1 to 22 F		30, 50 F	
Capacitance Tolerance	-20 to +40%			
Characteristics at Low Temperature	Capacitance change	±30% of initial measured value at +20°C (-25 to +70°C, +60°C)		
	Internal resistance	≤ 4 times of initial measured value at +20°C (at -25°C)		
Endurance	After 1000 hours application of 2.3V. DC at +70°C(+60°C), the capacitor shall meet the following limits.			
	Capacitance change	±30% of initial measured value		
	Internal resistance	≤ 2 time of initial specified value		
Shelf Life	After 1000 hours storage at +70°C(+60°C) without load, the capacitor shall meet the specified limits for Endurance.			
Moisture Resistance	After 500 hours storage at +55°C, 90 to 95% R.H., the capacitor shall meet the specified limits for Endurance.			

■ Dimensions in mm (not to scale)



■ Standard products

Category temp. range (°C)	Max. Operating Voltage (V.DC)	Capacitance (F)	Internal resistance (Ω) at 1kHz	Size(mm)				Part number	Min. Packaging QTY (pcs)
				φD	L	φd	P		
-25 to +70	2.3	1.0	≤ 1.0	8.0	22.0	0.7	3.5	EECHW0D105	200
		3.3	≤ 0.3	12.5	23.0	0.8	5.0	EECHW0D335	200
		4.7	≤ 0.3	12.5	23.0	0.8	5.0	EECHW0D475	200
		10	≤ 0.2	12.5	35.0	0.8	5.0	EECHW0D106	100
		22	≤ 0.1	18.0	35.0	0.8	7.5	EECHW0D226	50
-25 to +60		30	≤ 0.1	18.0	35.0	0.8	7.5	EECHW0D306	50
		50	≤ 0.1	18.0	40.0	0.8	7.5	EECHW0D506	50

Design, and specifications are each subject to change without notice. Ask factory for the current technical specifications before purchase and / or use. Should a safety concern arise regarding this product, please be sure to contact us immediately.