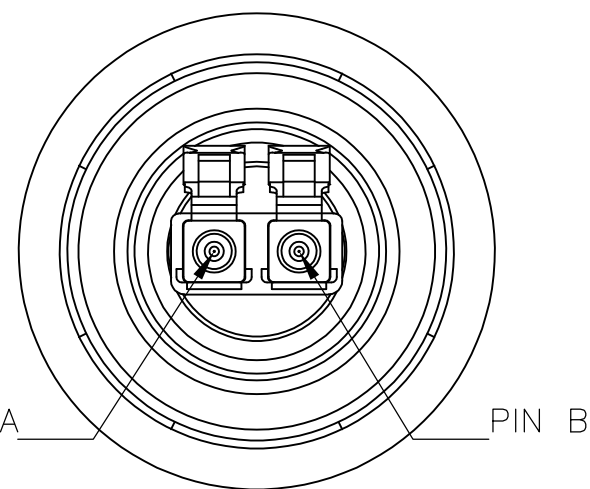
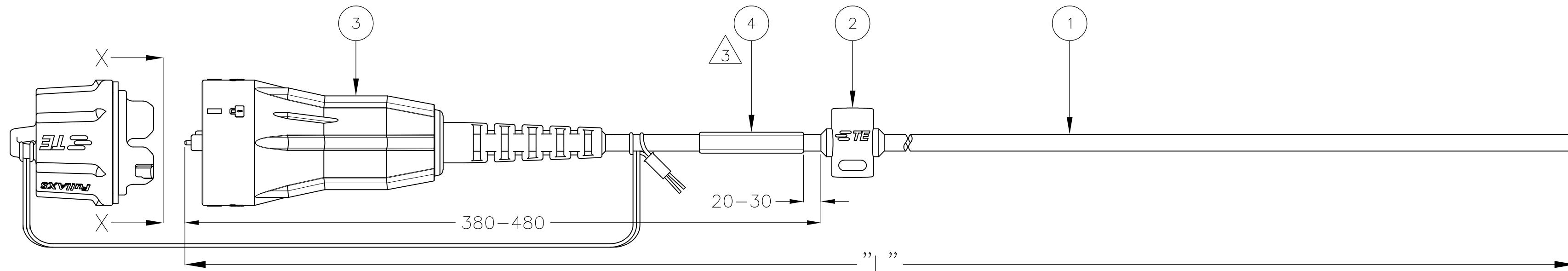


THIS DRAWING IS UNPUBLISHED. RELEASED FOR PUBLICATION  
 © COPYRIGHT - By - ALL RIGHTS RESERVED.

LOC		DIST		REVISIONS			
P	LTR	DESCRIPTION		DATE	DWN	APVD	
H	-	A	ECR-12-021655	15JAN2013	RC	AH	



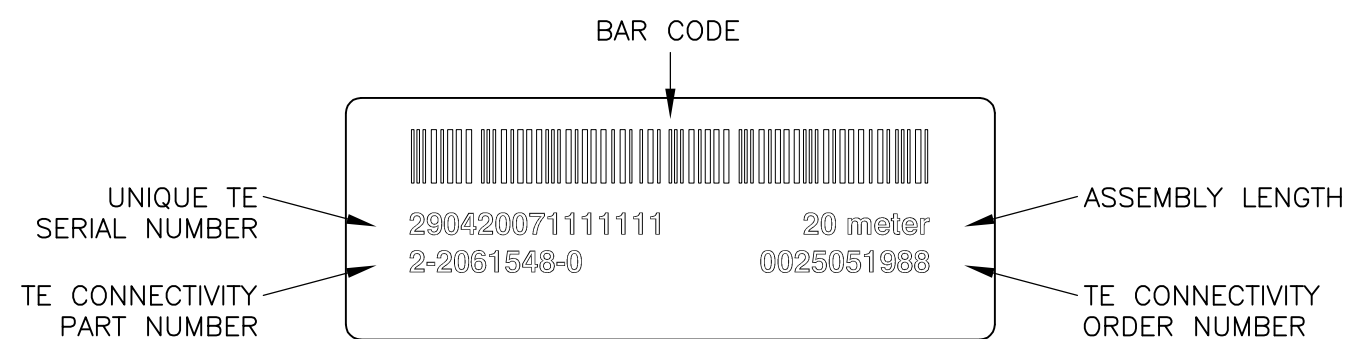
ASSEMBLY CONNECTIVITY	
FULLAXS LC	BUFFER
PIN A	RED
PIN B	BLUE

STANDARD LENGTHS ACCORDING TO CUSTOMER DRAWING 1206850	
PART NUMBER	"L" (meter)
X-2061548-Y	XY.0
8-2061548-1	101.0 -0/+5

NOTES:

- 1 MAX. CONNECTOR ATTENUATION 0.3 dB, MEASURED AT 1310 nm AND 1550 nm ACCORDING TO I.E.C. 61300-3-4 INSERTION METHOD B
- 2 MIN. RETURN LOSS 45 dB, IN MATED CONDITION AGAINST REFERENCE CONNECTOR AT 1310 nm AND 1550 nm
- 3 INFORMATION ON LABEL, SEE DETAIL FOR EXAMPLE
  - BARCODE
  - UNIQUE TE SERIAL NUMBER
  - ASSEMBLY LENGTH
  - TE CONNECTIVITY PART NUMBER & ORDER NUMBER
- 4 CABLE INFORMATION:
  - CORE DIAMETER: 9/125 μm (2x)
  - OUTER JACKET DIAMETER: 4.8 mm
  - OUTER JACKET COLOUR: BLACK
  - OUTER JACKET MATERIAL: HALOGEN FREE FLAME RETARDANT
  - CABLE ATTENUATION: 0.40 dB/km @ 1310 nm OR 0.25 dB/km @ 1550 nm

3 LABEL DETAIL:



1	INFORMATION LABEL	4
1	FULLAXS OVERMOLDED LC DUPLEX PLUG ASSEMBLY, SM, BLACK	3
1	FULLAXS OVERMOLDED DROP PROTECTION, BLACK	2
L	FOCAB Ø4.8 mm, 2FOLD, SINGLE MODE G657A2, BLACK	1
Qty	Description	Item

THIS DRAWING IS A CONTROLLED DOCUMENT.		DWN R. COOLEN 15JUN2011																
DIMENSIONS: mm		CHK S. BORGAS 15JAN2013																
TOLERANCES UNLESS OTHERWISE SPECIFIED:		APVD A. HENGELMOLEN 15JAN2013	NAME FIBER OPTIC PIGTAIL 4.8 mm FULLAXS LC/DPX SINGLE MODE G657.A2															
<table border="1"> <tr><td>0 PLC</td><td>± -</td></tr> <tr><td>1 PLC</td><td>± -</td></tr> <tr><td>2 PLC</td><td>± -</td></tr> <tr><td>3 PLC</td><td>± -</td></tr> <tr><td>4 PLC</td><td>± -</td></tr> <tr><td>ANGLES</td><td>± -</td></tr> <tr><td>FINISH</td><td>-</td></tr> </table>		0 PLC	± -	1 PLC	± -	2 PLC	± -	3 PLC	± -	4 PLC	± -	ANGLES	± -	FINISH	-	PRODUCT SPEC -	APPLICATION SPEC 114-32032	SIZE A2
0 PLC	± -																	
1 PLC	± -																	
2 PLC	± -																	
3 PLC	± -																	
4 PLC	± -																	
ANGLES	± -																	
FINISH	-																	
MATERIAL -		WEIGHT -	CAGE CODE 00779	DRAWING NO C=2061548														
CUSTOMER DRAWING			SCALE NTS	SHEET 1 of 1														
			RESTRICTED TO -	REV A														