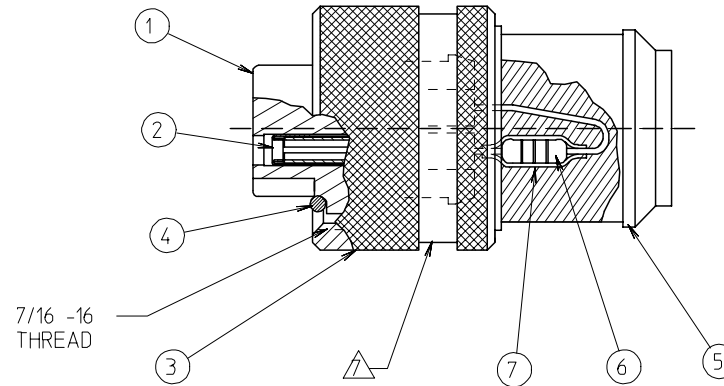
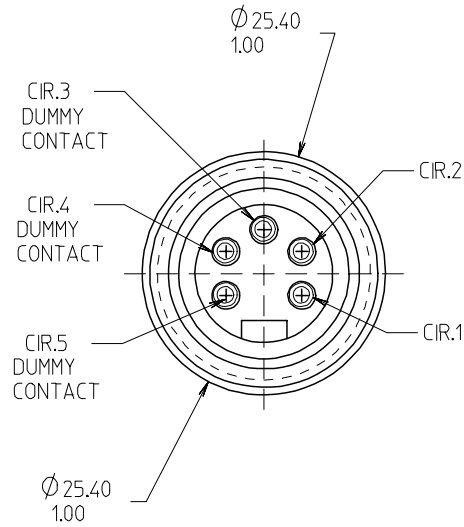
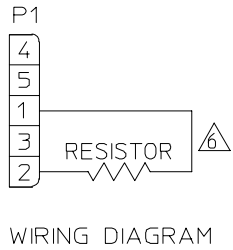


MATERIAL NO.	HOLJERON PART NO.
849140241	CBL-SKR583



NOTES:

1. MATERIAL: SEE TABLE
2. FINISHES: SEE TABLE
3. PRODUCT SPECIFICATION: NOT REQUIRED
4. PACKAGING: NOT REQUIRED
5. MATES WITH: MINI-C, MALE
- \triangle 121 OHM $\pm 1\%$ RESISTANCE FROM CIRCUIT 1 TO 2
- \triangle COUPLING RING TO BE MARKED WITH HOLJERON PART NO. CBL-SKR583 AND DATE CODE.

7	A/R	SHRINK TUBE, .093 DIA.	POLYOLEFIN	BLACK
6	1	RESISTOR, 121 OHMS $\pm 1\%$	CCF-55-1210F	5 BAND COLOR CODE
5	1	OVERMOLD	PVC	GRAY
4	1	O-RING	VITON	BROWN
3	1	COUPLING RING, INT.THREAD	ST. STEEL	
2	5	CONTACT SOCKET	CU ALLOY	GOLD PLATED
1	1	SOCKET INSERT, 5/C	PVC	GRAY
ITEM	QTY.	DESCRIPTION	MATERIAL	FINISH

CAME FROM SD-84914-0241 EC NO: ETC2007-0428 DRWN: JENCINAS 2007/06/04 CHKD: JENCINAS 2007/06/10 APPR: JMACNEIL 2007/06/11	QUALITY SYMBOLS	GENERAL TOLERANCES (UNLESS SPECIFIED)	DIMENSION STYLE	SCALE	DESIGN UNITS	THIRD ANGLE PROJECTION															
	$\nabla=0$ $\nabla=0$	<table border="1"> <tr> <th></th> <th>mm</th> <th>INCH</th> </tr> <tr> <td>4 PLACES</td> <td>\pm ---</td> <td>\pm ---</td> </tr> <tr> <td>3 PLACES</td> <td>\pm ---</td> <td>$\pm .005$</td> </tr> <tr> <td>2 PLACES</td> <td>± 0.13</td> <td>$\pm .01$</td> </tr> <tr> <td>1 PLACE</td> <td>± 0.3</td> <td>\pm ---</td> </tr> </table>		mm	INCH	4 PLACES	\pm ---	\pm ---	3 PLACES	\pm ---	$\pm .005$	2 PLACES	± 0.13	$\pm .01$	1 PLACE	± 0.3	\pm ---	MM/IN	2:1	INCH	DRAWN BY: GF DATE: 1999/04/05 CHECKED BY: DW DATE: 1999/04/16 APPROVED BY: DW DATE: 1999/04/16 MATERIAL NO. SEE CHART DOCUMENT NO. SD-84914-007
			mm	INCH																	
		4 PLACES	\pm ---	\pm ---																	
3 PLACES	\pm ---	$\pm .005$																			
2 PLACES	± 0.13	$\pm .01$																			
1 PLACE	± 0.3	\pm ---																			
DRAFT WHERE APPLICABLE MUST REMAIN WITHIN DIMENSIONS	ANGULAR $\pm 2^\circ$	TITLE: TERMINATING PLUG,FEMALE MINI-C MOLEX INCORPORATED																			
		SHEET NO. 1 OF 1 THIS DRAWING CONTAINS INFORMATION THAT IS PROPRIETARY TO MOLEX INCORPORATED AND SHOULD NOT BE USED WITHOUT WRITTEN PERMISSION																			