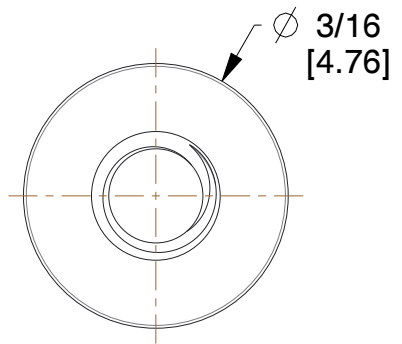
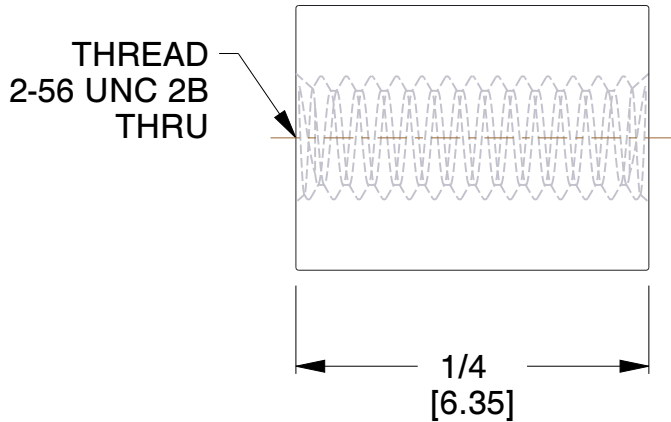


REV	CHANGE	DATE	DRN	CHK
	Drawn	01/31/16	SJ	T



**NOTES:**

1. Material : Aluminium
2. Finish : No Plate
3. ASME Y14.5M - 2009
4. All Drawing Dimensions are in Inches [mm]
5. Unless otherwise specified; Edge Breaks, Radii or Countersinks 0.005-0.015



95 Silvermine Rd., Seymour CT 06483  
Tel: 203-888-2133, Fax: 203-888-9860

This Drawing is the Property of RAF. It contains confidential, proprietary information that is RAF property. Do not disclose to or duplicate for others except as authorized by RAF.

**TOLERANCES**  
ALL DIMENSIONS ARE INCHES (UNLESS OTHERWISE SPECIFIED)  
**METALLIC**  
LENGTHS <math>< /math> \le 6 \text{ INCHES } \pm 0.005  
LENGTH > 6 \text{ INCHES } \pm 0.010  
DIAMETERS:  $\pm 0.005$   
**NON-METALLIC**  
LENGTH:  $\pm 0.010$  DIAMETERS:  $\pm 0.010$   
**INTERNAL THREADS:**  
MINIMUM THREAD DEPTH

COMPONENT	STANDOFFS
<b>1633-256-AL</b>	<b>SCALE</b>
	8.00
	<b>SHEET</b>
3/16 ROUND FEMALE STANDOFFS	
1 of 1	