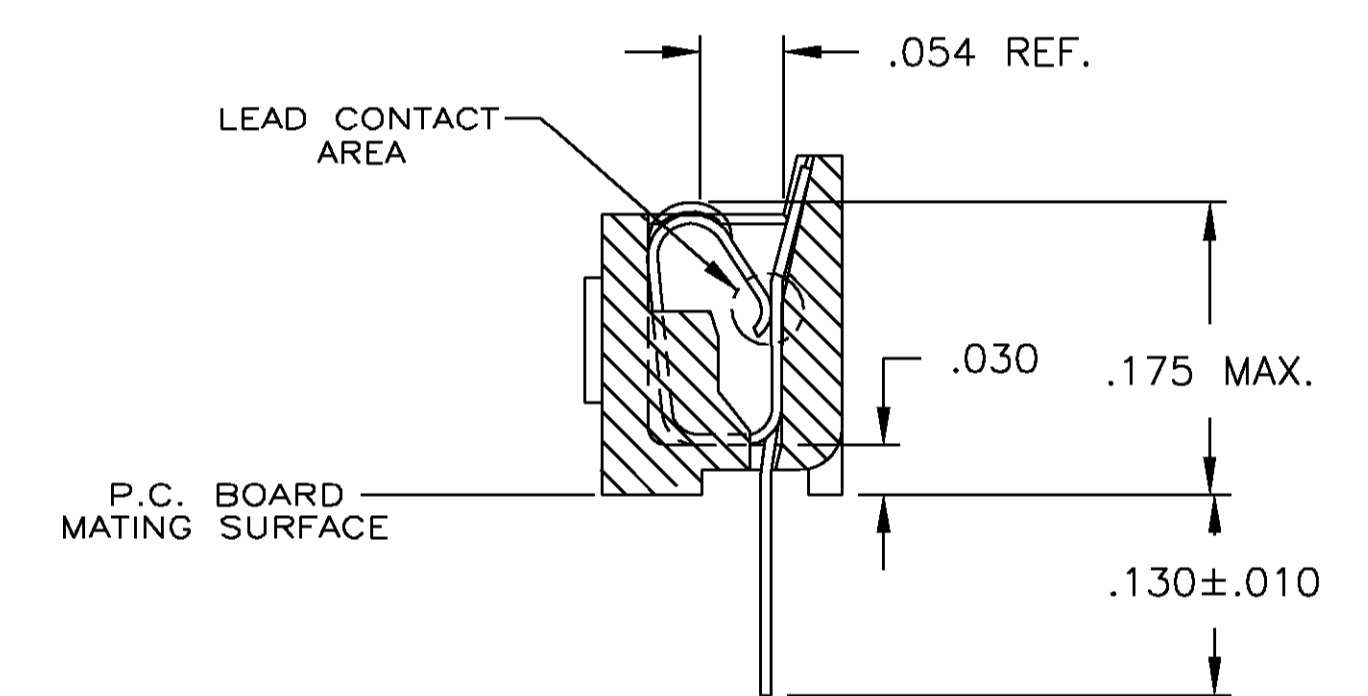


SECTION A-A  
ROTATED 90° CW  
SCALE 10:1  
FOR -6, -7 & -8 ONLY



SECTION A-A  
ROTATED 90° CW  
SCALE 10:1  
FOR -1, -2 & -3 ONLY

- RECEPTACLE ACCEPTS AN .008-.014 THK LEAD.
- TWO .000030 MIN.THK.GOLD STRIPES IN CONTACT AREA, TIN-LEAD(93-7) ON CONTACT LEGS, BALANCE OF CONTACT NICKEL PLATED.
- TWO .000015 MIN.THK.GOLD STRIPES IN CONTACT AREA, TIN-LEAD(93-7) ON CONTACT LEGS, BALANCE OF CONTACT NICKEL PLATED.

	TINNED	PHOS.BRZ.	GLASS-FILLED THERMOPLASTIC, 94V-O, BLACK	643648-8
OBSOLETE	△	BE.CU.	GLASS-FILLED THERMOPLASTIC, 94V-O, BLACK	643648-7
OBSOLETE	TINNED	BE.CU.	GLASS-FILLED THERMOPLASTIC, 94V-O, BLACK	643648-6
SUPSD BY 643648-2	△	PHOS.BRZ.	GLASS-FILLED THERMOPLASTIC, 94V-O, BLACK	643648-4
	TINNED	PHOS.BRZ.	GLASS-FILLED THERMOPLASTIC, 94V-O, BLACK	643648-3
OBSOLETE	△	BE.CU.	GLASS-FILLED THERMOPLASTIC, 94V-O, BLACK	643648-2
	TINNED	BE.CU.	GLASS-FILLED THERMOPLASTIC, 94V-O, BLACK	643648-1
	CONTACT FINISH	CONTACT MAT'L	HOUSING MATERIAL	PART NO.

THIS DRAWING IS A CONTROLLED DOCUMENT.

DRW: M.CYRUS 8-1-84	AMP Tyco Electronics Corporation Harrisburg, PA 17105
CHK: BLONES 7-3-84	
APVD: J.GRAY 7-10-84	
TOLERANCES UNLESS OTHERWISE SPECIFIED:	NAME: SOCKET ASSY, SIP, 16 POS, DIPLOMATE DL
0 P.L.C. ± .005	PRODUCT SPEC: 108-1066
1 P.L.C. ± .005	APPLICATION SPEC: 114-1049
2 P.L.C. ± .005	SIZE: A1
3 P.L.C. ± .005	CAGE CODE: 00779
4 P.L.C. ± .005	DRAWING NO: 643648
ANGLES ± .5	RESTRICTED TO: M
MATERIALS TABLE: SEE TABLE	WEIGHT: -
FINISH: -	SCALE: 5:1
	SHEET 1 OF 1
	REV M

CUSTOMER DRAWING