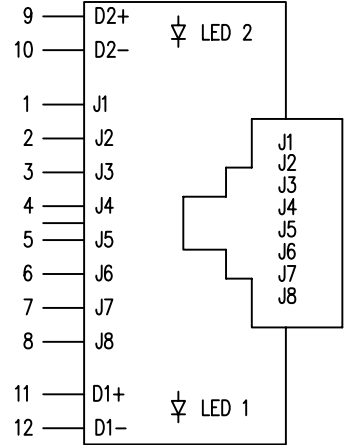
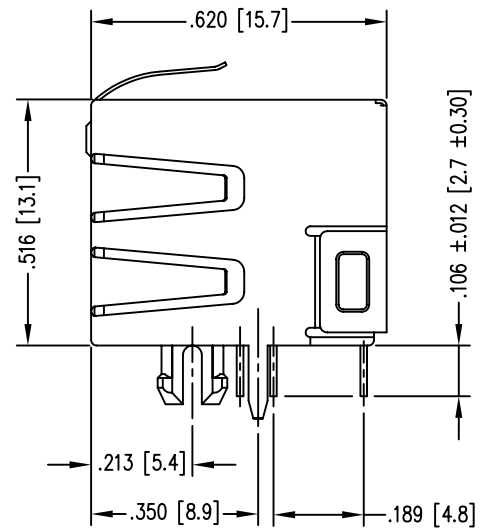
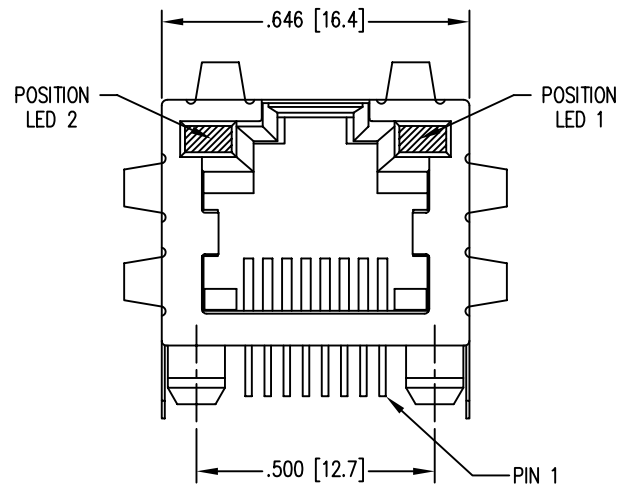


DATE	REV	ECN	APP'D. BY
5-15-06	A9	7621	TRM
6-27-06	A10	7665	TRM
10-20-08	A11	8572	TJA
11-21-08	A12	8612	TRM



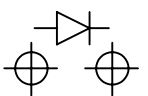
LED SPECIFICATIONS			
STANDARD LED	* FORWARD VOLTAGE (MAX)	* FORWARD VOLTAGE (TYP)	WAVELENGTH
GREEN DIFFUSED	2.6 V	2.25 V	565 nm
YELLOW DIFFUSED	2.5 V	2.1 V	590 nm
RED DIFFUSED	2.5 V	2.0 V	625 nm

\* WITH A FORWARD CURRENT OF 20 mA

B

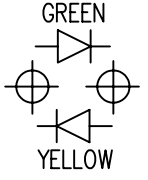
B

LED POLARITY  
(ENLARGED VIEW)



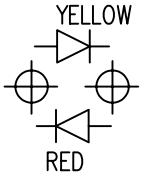
SINGLE COLOR LED

LED POLARITY  
(ENLARGED VIEW)



BI-COLOR LED

LED POLARITY  
(ENLARGED VIEW)



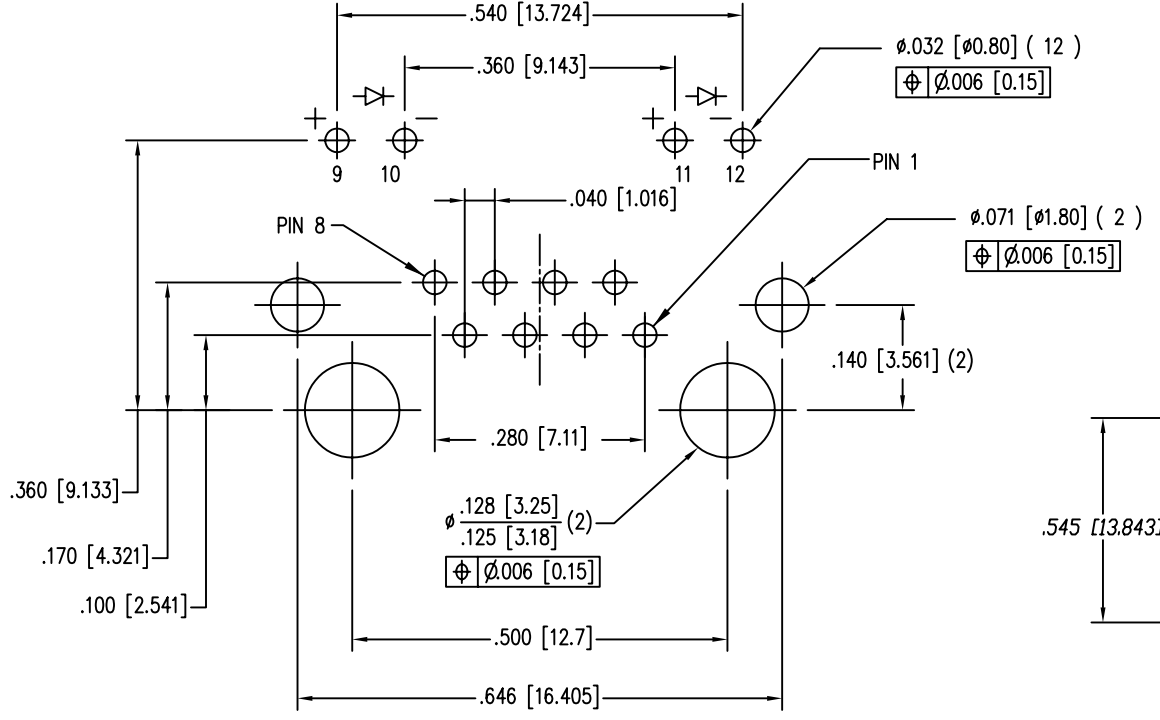
BI-COLOR LED

MATERIAL:  
 HOUSING: PBT+30%G.F. UL94V-0. STANDARD COLOR: BLACK  
 INSERT: PBT+30%G.F. UL94V-0. STANDARD COLOR: BLACK  
 LENS: PC UL94V-0. STANDARD COLOR: CLEAR  
 BACK: PBT+30%G.F. STANDARD COLOR: BLACK  
 LED 3.2 x 2.0 x 4.0 x P=2.29mm.  
 SHIELD: COPPER ALLOY 0.25mm THICKNESS.  
 CONTACT: 0.35mm (.014") THICKNESS, 50 MICRO INCH  
 SELECTIVE GOLD PLATING OVER  
 NICKEL PHOSPHOR BRONZE ALLOY.  
 FOR PRODUCT SPECIFICATION SEE PR022-01

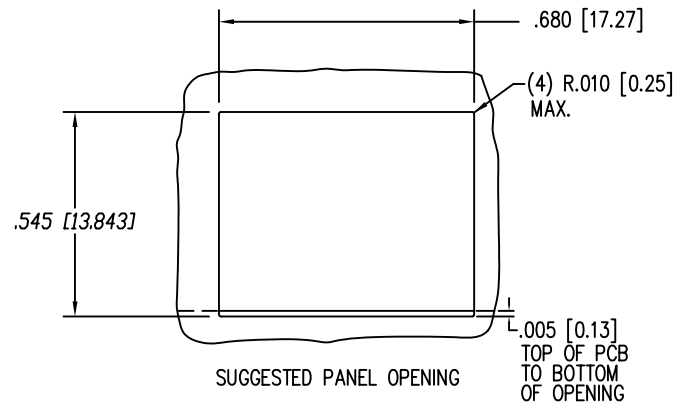
GREEN/YELLOW	GREEN/YELLOW	SS-74401-011
GREEN	RED	SS-74401-008
GREEN	GREEN	SS-74401-003
GREEN	YELLOW	SS-74401-002
YELLOW	GREEN	SS-74401-001
POSITION 2	POSITION 1	PART NUMBER
INDICATOR COLOR		

A

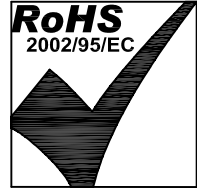
A



P.C.B. RECOMMENDED HOLE LAYOUT  
 SEEN FROM COMPONENT SIDE  
 TOLERANCE ±.003 [0.08] UNLESS OTHERWISE SPECIFIED



SUGGESTED PANEL OPENING



THIRD ANGLE PROJECTION	
DO NOT SCALE DRAWING DRAWING IS SUBJECT TO CHANGE WITHOUT NOTICE	
DIMENSIONS: INCHES [METRIC]	
UNLESS OTHERWISE SPECIFIED TOLERANCES ARE ±.005 [0.13] ANGLES ARE ± 1°	
SHEET NO. 1 OF 1	

## Bel Stewart Connector

11118 Susquehanna Trail South  
 Glen Rock, PA 17327-9199  
 (717) 235-7512 Fax: (717) 235-7954 <http://www.stewartconnector.com>

**TITLE:** MODULAR JACKS, EMI-RFI ONE PIECE SHIELDED, ESD GROUND  
 SINGLE PORT PCB, LED PAC

DRN BY: TRM	DATE: 9-26-01
APPD BY: RGC	DATE: 9-26-01
DWG NO. CT740080	REV. A12

THIS DRAWING AND THE SUBJECT MATTER SHOWN THEREON ARE CONFIDENTIAL AND THE PROPRIETARY PROPERTY OF BEL STEWART CONNECTOR AND SHALL NOT BE REPRODUCED, COPIED, OR USED IN ANY MANNER WITHOUT PRIOR WRITTEN CONSENT OF BEL STEWART CONNECTOR. THE SUBJECT MATTER MAY BE PATENTED OR A PATENT MAY BE PENDING.