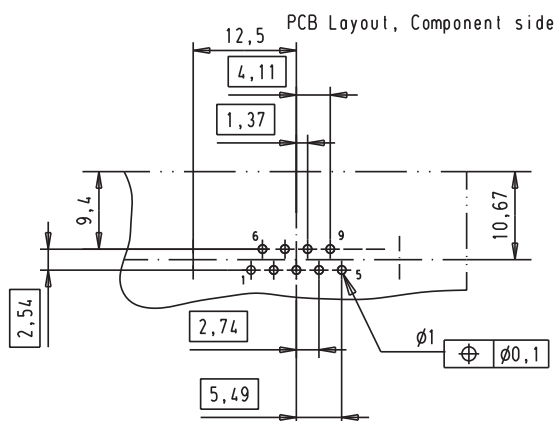
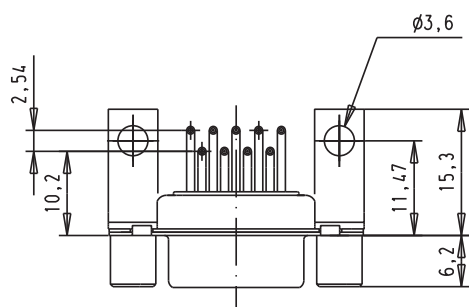
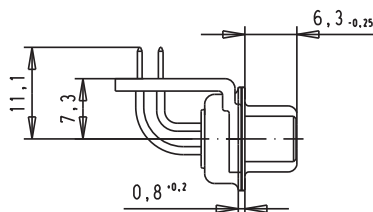
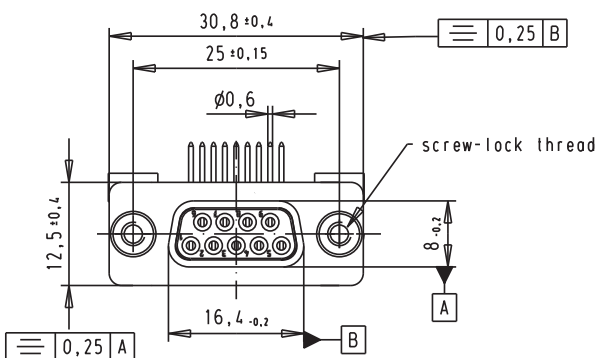



5 4 3 2 1

SPECIFICATION

Mating Cycles	500
Filter type	C
Capacitance	470pF±20%
Working Voltage	100v
Current Rating	7.5A
Insulation Resistance	>1GΩ

FREQUENCY (MHz)	ATTENUATION (dB)
5	-
10	1dB
50	10dB
100	15dB
500	35dB
1000	32dB



					Det.	Name	 All Dim. in mm Orig. Size DIN A 4	D-Sub, female, angled, 9 Poles, solder pins, tin plated shell with brackets, screw-locks and holes	Mo?Mstab/ Scale 1.5:1	
					Detail.	8-JUL-02				CV
					Insp.					
					Stand.					
09641147229	M3		33231	07/10/05	JMDR	HARTING EURL F-95972 Paris			TB 0964114722x	
09641147228	UNC 4-40		31058	8-JUL-02	CV					
Part number	screw-lock thread		Mod.	Det.	Name					
							Sub.		Blatt/ Page 4/4	