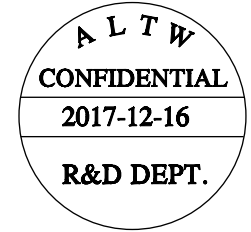
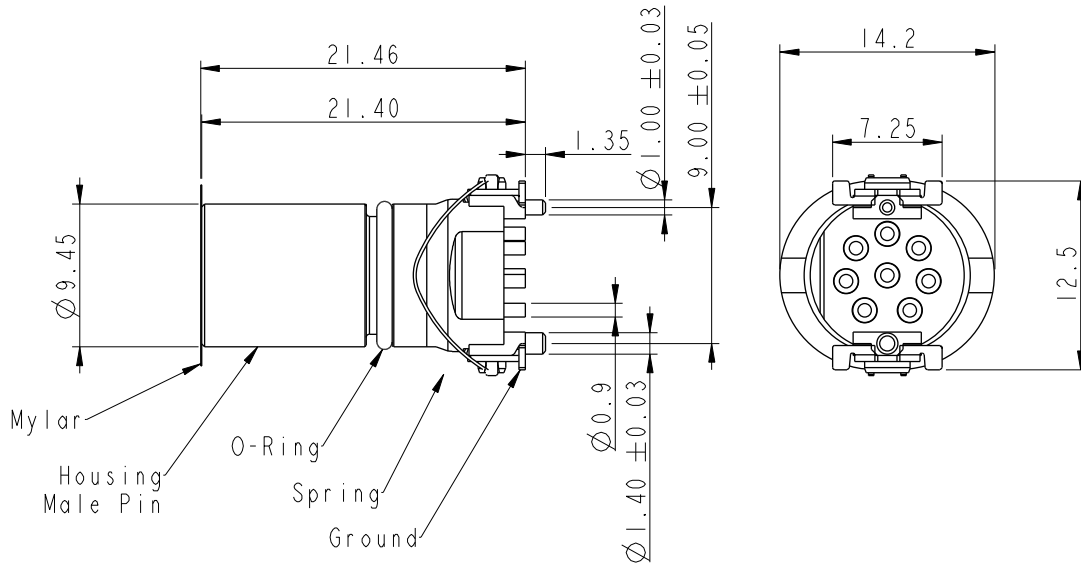


REV.	ECN NO.	DATE	SIGN	DESCRIPTION
A	Initial Release	2017/12/16	Arvin Chan	Change Rev.01 To Rev.A



MS \* S - \* \* P M M T - E E 8 0 0 1

MSAS: M12 A Code Shield  
 MSBS: M12 B Code Shield  
 MSDS: M12 D Code Shield

03: 3Pin  
 04: 4Pin  
 05: 5Pin  
 08: 8Pin

P: Panel  
 M: Male Connector

001: Serial Number  
 8: IP68 (Mated, 1M/24Hours)  
 IP65 (Unmated)  
 E: None Back Shell  
 E: None Mating Style  
 T: SMT Type  
 M: Male Pin

**Note:**  
 \* (CC) Important Dimension,  
 Material Specification:  
 \* Housing: Thermoplastic  
 \* Male Pin: Copper Alloy, Gold Plated  
 \* Ground: Copper Alloy, Tin Plated  
 \* Spring: Stainless Steel  
 \* O-Ring: Silicone, Gray  
 Electrical Specification:  
 \* Contact Resistance: 10m $\Omega$  Max.  
 \* Insulation Resistance: 100M $\Omega$  min.  
 \* Dielectric Withstanding Voltage: 1KV  
 \* Rated Voltage: 3Pin, 4Pin 250V d.c. or a.c.  
 5Pin 60V d.c. or a.c.  
 8Pin 30V d.c. or a.c.  
 \* Rated Current: 3Pin, 4Pin & 5Pin 4A  
 8Pin 2A  
 Mechanical Specification:  
 \* Durability: 1000 Cycles (IEC: 100 Cycles)  
 Environmental Specification:  
 \* Temperature Range: -55~125°C  
 \* Salt Spray: 48h  
 \* SMT Temperature & Time: 260°C/5Sec  
 \* SMT Paste: 0.12mm min.

UNIT: mm	
TOLERANCE	
.X	$\pm 0.25$
.XX	$\pm 0.1$
.XXX	$\pm 0.05$
ANGLES	$\pm 1^\circ$

TITLE M12 M CONN M PIN SMT TYPE		SCALE 1:1		SIZE A4		SHEET 1 OF 4	
REV. A	WC-REV. A.2	QC: Inspection item					

**Amphenol LTW**  
 安費諾亮泰企業股份有限公司

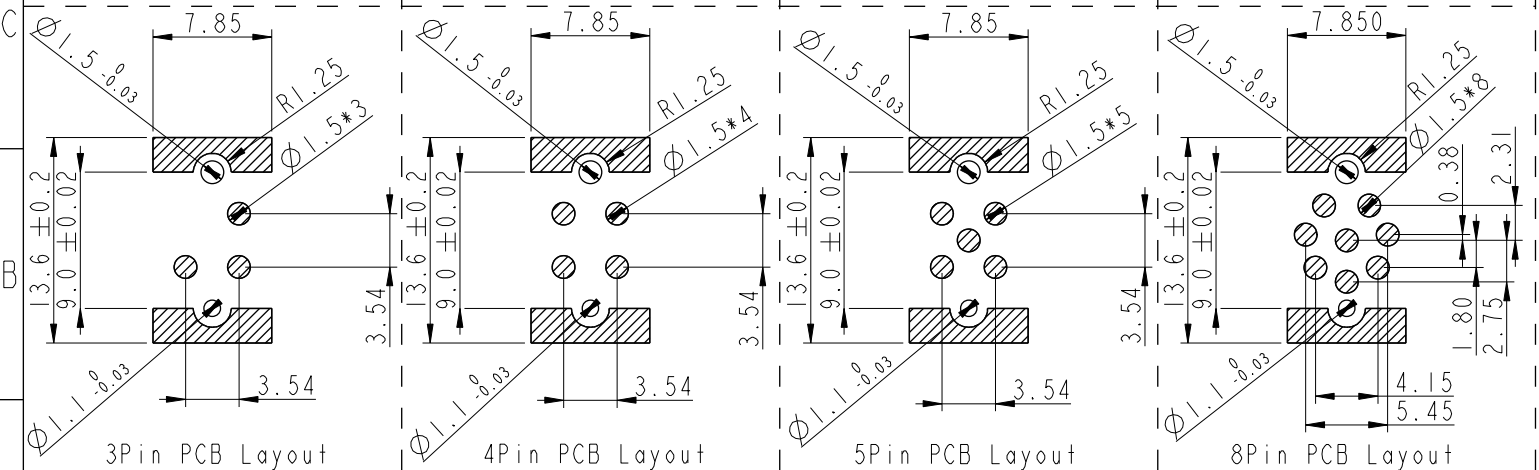
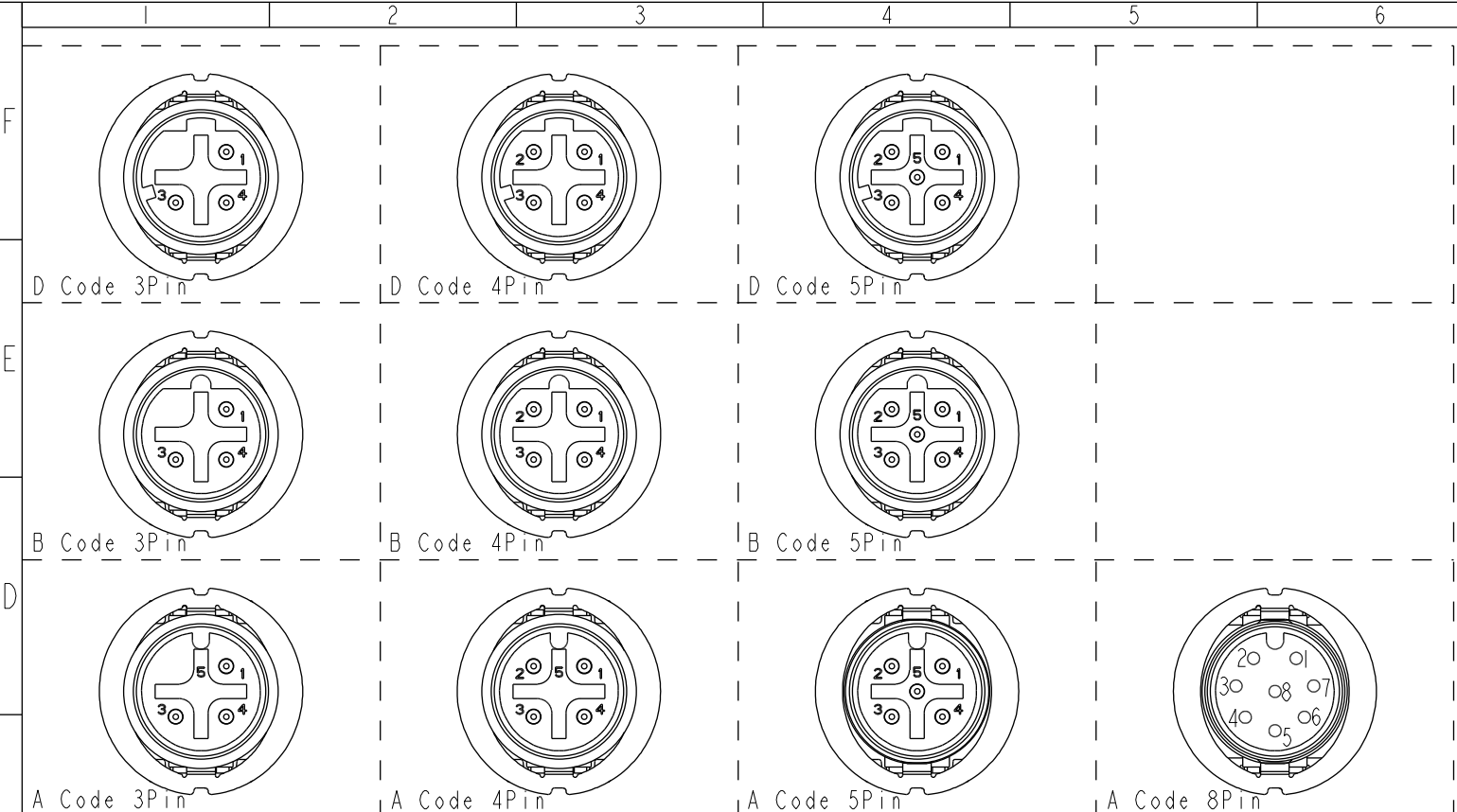
ITEM NO.	DRAWN BY Arvin Chan	DATE 2017-12-16
DWG NO. MSXS-XXPMMT-EE8XXX	CHECKED BY Aric Ko	DATE 2017-12-16
CUSTOMER ALTW	APPROVED BY Kevin Hu	DATE 2017-12-16

THIS DOCUMENT IS SUBJECT TO CHANGE WITHOUT NOTICE. IT IS CONFIDENTIAL AND A PROPERTY OF AMPHENOL LTW. DISCLOSURE TO THIRD PARTY HAS TO BE AUTHORIZED BY AMPHENOL LTW.

THIS DOCUMENT IS SUBJECT TO CHANGE WITHOUT NOTICE. IT IS CONFIDENTIAL AND A PROPERTY OF Amphenol LTW. DISCLOSURE TO THIRD PARTY HAS TO BE AUTHORIZED BY Amphenol LTW.

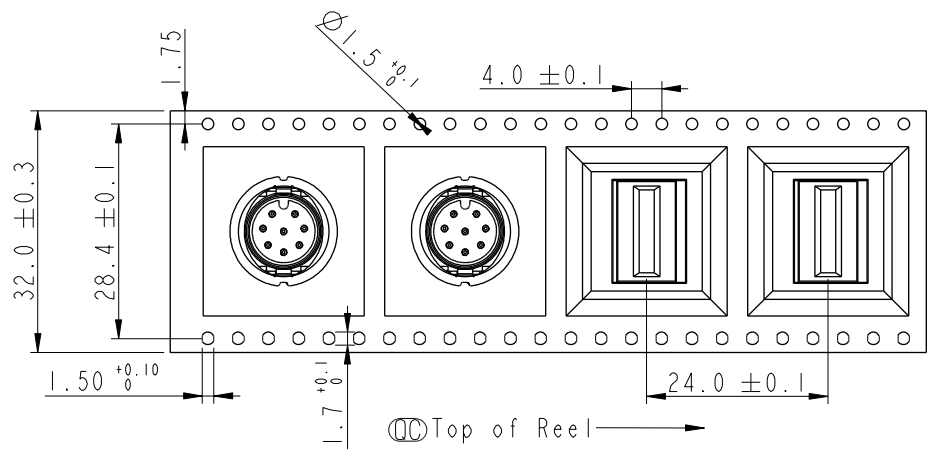
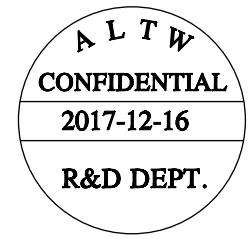
**ALTW**  
**CONFIDENTIAL**  
 2017-12-16  
**R&D DEPT.**

**ALTW**  
 DCC. DEPT.  
 CONFIDENTIAL  
 2018.01.11  
**ISSUED**

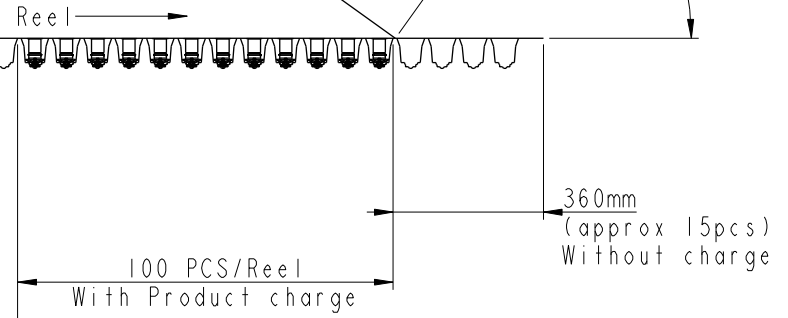
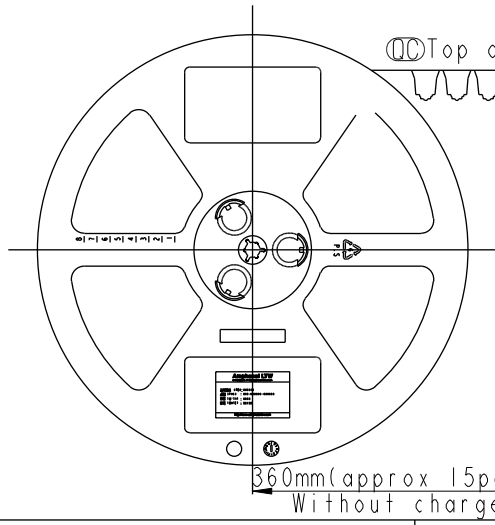
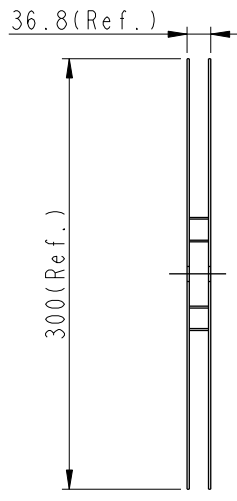
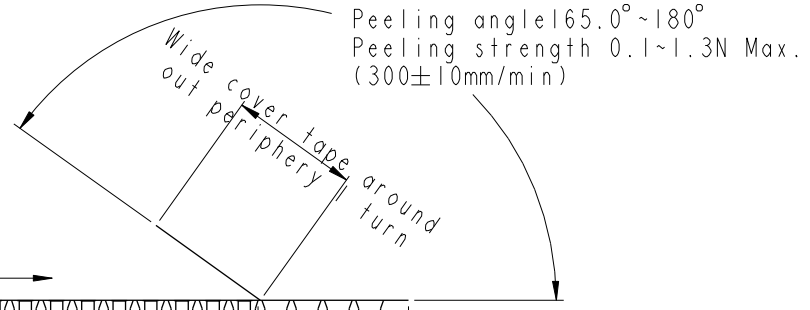
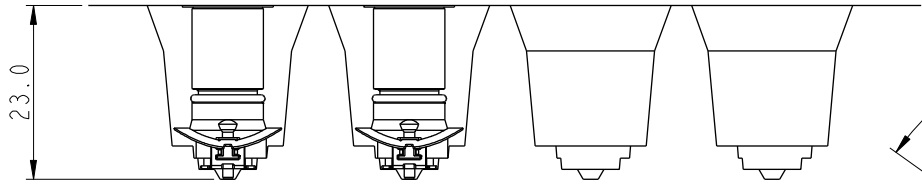


UNIT: mm TOLERANCE .X ±0.25 .XX ±0.1 .XXX ±0.05 ANGLES ±1°			TITLE M12 M CONN M PIN SMT TYPE	<h2 style="margin: 0;">Amphenol LTW</h2> 安費諾亮泰企業股份有限公司	ITEM NO MSXS-XXPMT-EE8XXX	DRAWN BY Arvin Chan	DATE 2017-12-16	
	SCALE 1:1		SIZE A4		SHEET 2 OF 4		CHECKED BY Aric Ko	DATE 2017-12-16
	REV. A		WC-REV. A.3		(QC): Inspection item		APPROVED BY Kevin Hu	DATE 2017-12-16

THIS DOCUMENT IS SUBJECT TO CHANGE WITHOUT NOTICE. IT IS CONFIDENTIAL AND A PROPERTY OF AMPHENOL LTW. DISCLOSURE TO THIRD PARTY HAS TO BE AUTHORIZED BY AMPHENOL LTW.



Note :  
 ◎◎ \* Connector Orientat follow Drawing



UNIT: mm		
TOLERANCE	.X ±0.25	
.XX ±0.1		
.XXX ±0.05		
ANGLES	±1°	

TITLE M12 M CONN M PIN SMT TYPE			
SCALE 1:1	SIZE A4	SHEET 3 OF 4	
REV. A	WC-REV. A.3	◎◎: Inspection item	

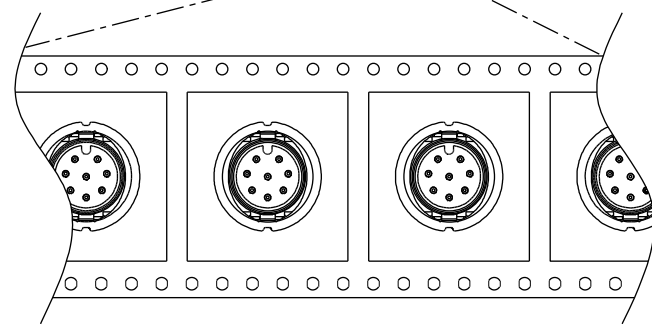
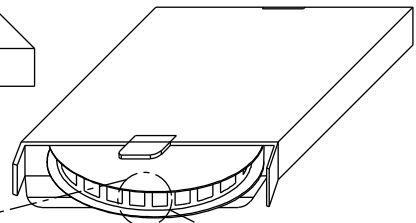
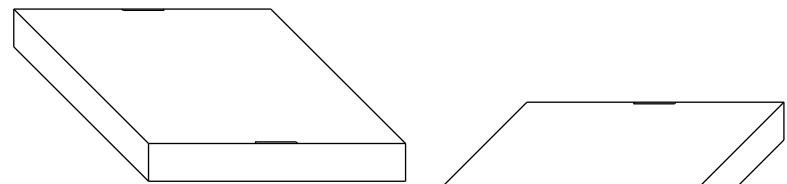
**Amphenol LTW**  
 安費諾亮泰企業股份有限公司

ITEM NO	DRAWN BY Arvin Chan	DATE 2017-12-16
DWG NO MSXS-XXPMMT-EE8XXX	CHECKED BY Aric Ko	DATE 2017-12-16
CUSTOMER ALTW	APPROVED BY Kevin Hu	DATE 2017-12-16

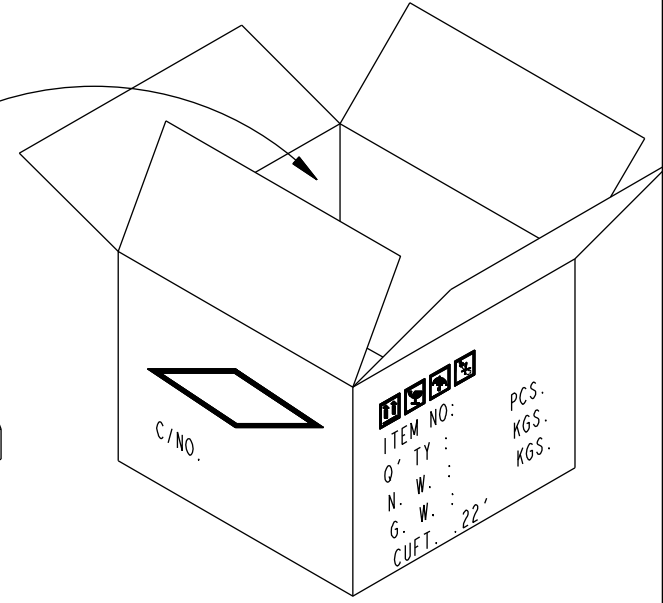
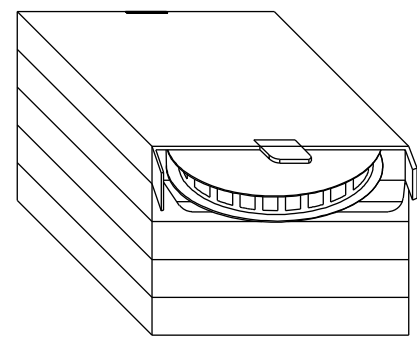
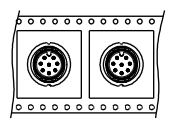
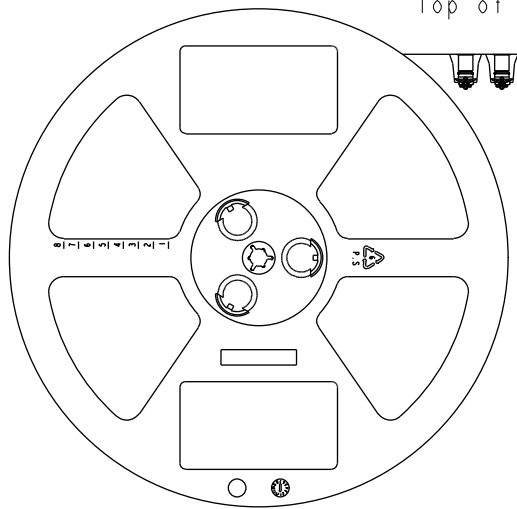
THIS DOCUMENT IS SUBJECT TO CHANGE WITHOUT NOTICE. IT IS CONFIDENTIAL AND A PROPERTY OF AMPHENOL LTW. DISCLOSURE TO THIRD PARTY HAS TO BE AUTHORIZED BY AMPHENOL LTW.

**ALTW**  
**CONFIDENTIAL**  
 2017-12-16  
**R&D DEPT.**

**ALTW**  
 DCC. DEPT.  
 CONFIDENTIAL  
 2018.01.11  
**ISSUED**



Top of Reel →



Note:  
 100 PCS(Connector)/Tape&Reel Put in a Box  
 5PCS(Max.) Box Put in a Carton

UNIT: mm	
TOLERANCE	
.X	±0.25
.XX	±0.1
.XXX	±0.05
ANGLES	±1°

TITLE MI2 M CONN M PIN SMT TYPE			
SCALE 1:1	SIZE A4	SHEET 4 OF 4	
REV. A	WC-REV. A.3	QC: Inspection item	

**Amphenol LTW**  
**安費諾亮泰企業股份有限公司**

ITEM NO.	DRAWN BY Arvin Chan	DATE 2017-12-16
DWG NO. MSXS-XXPMMT-EE8XXX	CHECKED BY Aric Ko	DATE 2017-12-16
CUSTOMER ALTW	APPROVED BY Kevin Hu	DATE 2017-12-16