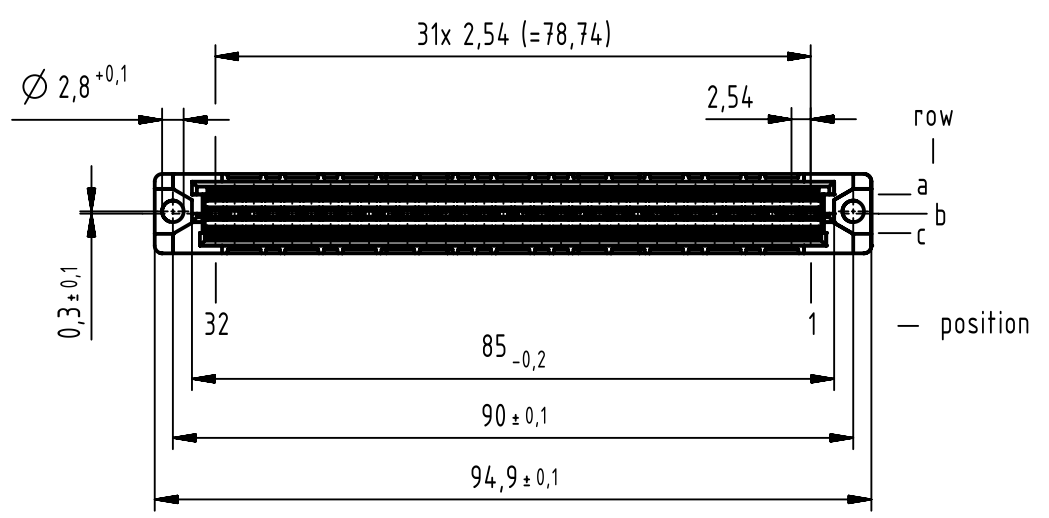
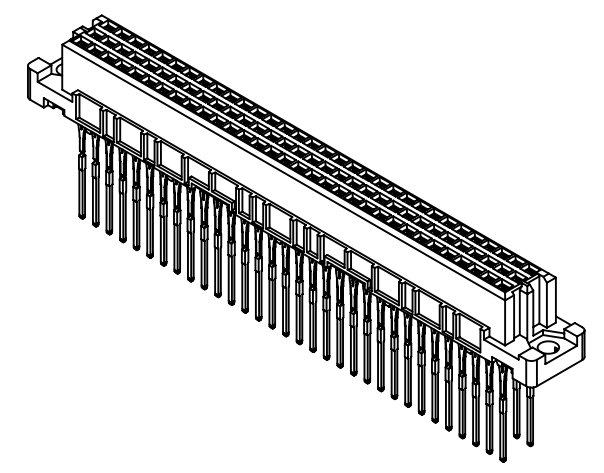
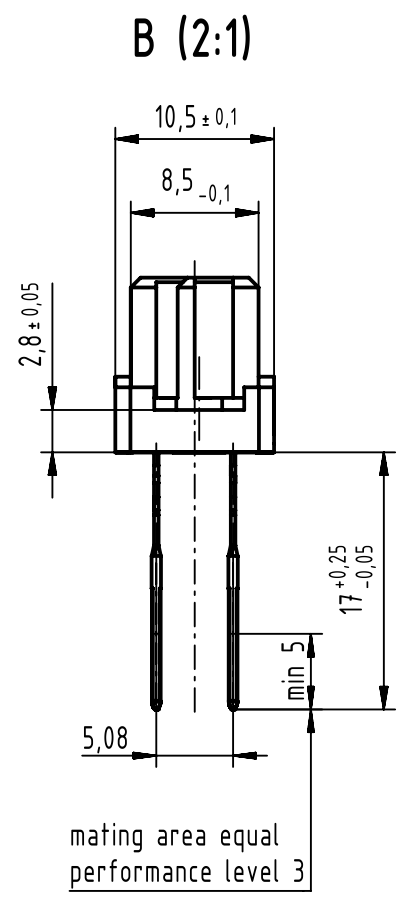
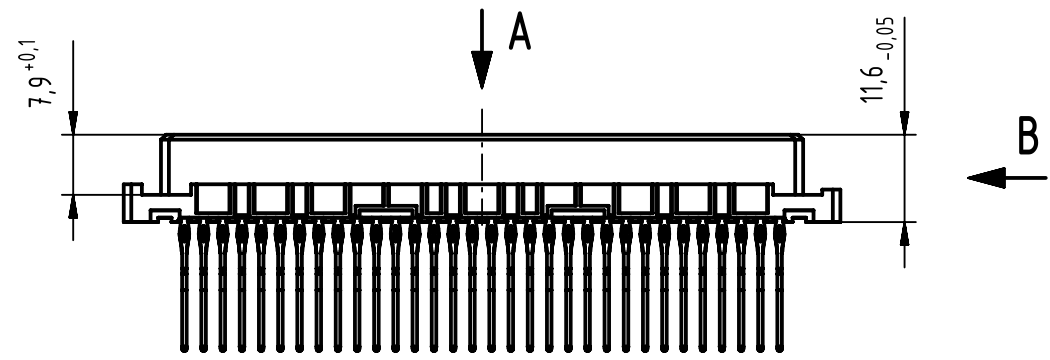


64 press-in contacts

⊗ = position with contact

□ = position without contact



$\text{①}$  recommended configuration of plated through holes and further information see: DS 09032100001

09 03 264 6862	2
part-no	performance level $\text{①}$

	All rights reserved	Created by	Inspected by	Standardisation	Date	State	
	Department EC PD - DE	STORCK	LEHNERT	KOHLER	2016-05-20	Final Release	
HARTING Electronics GmbH		Title				Doc-Key / ECM-Nr.	
D-32339 Espelkamp		DIN Signal type C female press-in 17.0 64-pole				100173852/UGD/271/C 500000104358	
		Type	Number		Rev.	Page	
		TB	0903264X862		C	1/1	