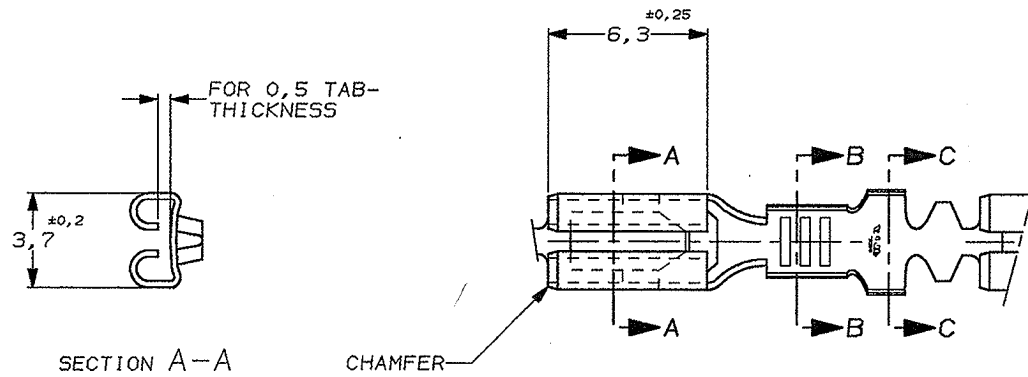


DO NOT SCALE  
DIMENSIONS IN mm

METRIC

THIRD ANGLE  
PROJECTION

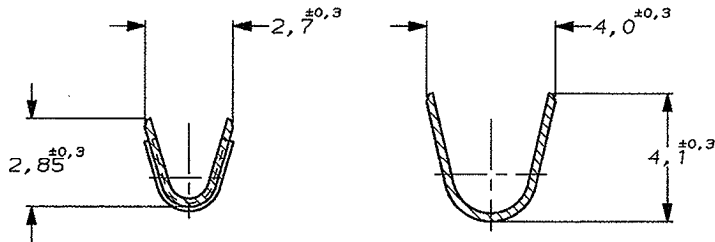
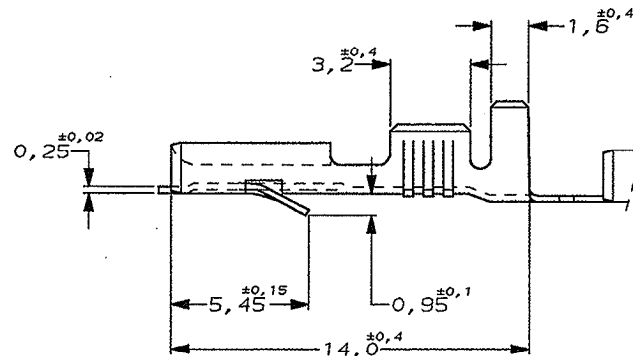
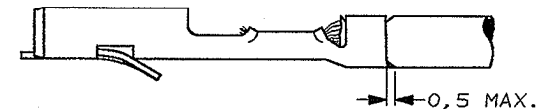
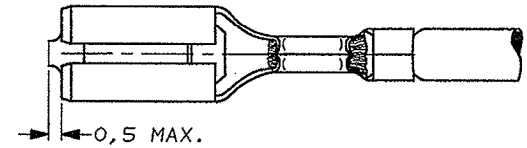


SECTION A-A

CHAMFER

NOTES:

- ⚠ FOR USE ON MINIATURE APPLICATORS (LEFT-RIGHT FEED).
- ⚠ FOR USE ON MINIATURE APPLICATORS (LEFT-RIGHT FEED; AMP-O-MATOR APPLICATION).
- ⚠ REELED WITH PAPERCOVER.
- ⚠ OBSOLETE PARTS: OBSOLETE CIS STREAMLINING PER D.RENAUD/D.SINISI



SECTION B-B

SECTION C-C

WIRE RANGE :  
0,5-1,0 mm<sup>2</sup>  
INSULATION RANGE :  
2,0-3,0 DIA.

|                           |              |                |                |          |          |
|---------------------------|--------------|----------------|----------------|----------|----------|
| ⚠<br>OBSOLETE<br>OBSOLETE | SILVERPLATED | PHOSPHORBRONZE | 1              | 160684-9 | W        |
|                           | SILVERPLATED | BRASS          | 1              | 160684-8 | W        |
|                           | PRE-TIN      | BRASS          | 1 3            | 160684-7 | W        |
|                           | PRE-TIN      | BRASS          | 1              | 160684-4 | W        |
|                           | UNPLATED     | BRASS          | 1              | 160684-3 | W        |
|                           | PRE-TIN      | PHOSPHORBRONZE | 1 2            | 160684-2 | W        |
|                           | OBSOLETE     | UNPLATED       | PHOSPHORBRONZE | 1        | 160684-1 |

|       |                           |       |        | FINISH    |                                                                                                                                              | MATERIAL |       | PARTNUMBER       |        | REV |
|-------|---------------------------|-------|--------|-----------|----------------------------------------------------------------------------------------------------------------------------------------------|----------|-------|------------------|--------|-----|
| -     | -                         | -     | -      | -         | -                                                                                                                                            | -        | -     | CUSTOMER DRAWING |        |     |
| W3    | PART STATUS UPDATED       | PKS   | RRP    | 14MAR13   | FOR REFERENCE ONLY WILL NOT BE UPDATED                                                                                                       |          |       |                  |        |     |
| W2    | ECR-10-022530             | KK    | HMR    | 03FEB11   | © COPYRIGHT 19- BY TE HOLLAND B.V. ALL INTERNATIONAL RIGHTS RESERVED. TE PRODUCTS MAY BE COVERED BY U.S. AND FOREIGN AND/OR PATENTS PENDING. |          |       |                  |        |     |
| W1    | REVISED PER ECO-10-000444 | KK    | AEG    | 09JAN10   | THIS DRAWING IS UNPUBLISHED RELEASED FOR PUBLICATION                                                                                         |          |       |                  |        |     |
| W     | ECR-05-003026             | HY    | GT     | 06 OCT 05 | TE Connectivity                                                                                                                              |          |       |                  |        |     |
| L     | EH-1513-98                | D.K.  | A.B.   | 24 SEP 98 | NAME                                                                                                                                         |          |       |                  |        |     |
| K     | EH-0791-97                | D.K.  | R.V.   | 21 JUL 97 | .110 SER. FASTIN-ON RECEPTACLE                                                                                                               |          |       |                  |        |     |
| LTR.  | REVISION RECORD           | DR.   | CHK.   | DATE      |                                                                                                                                              |          |       |                  |        |     |
| DR.   | D. KESSLER                | CHK.  | R. VOS | APP.      | DWG. No.                                                                                                                                     |          | SHEET |                  | REV.   |     |
| DATE: | 21 JUL 97                 | DATE: | -      | DATE:     | C-160684                                                                                                                                     |          | A3    |                  | 1 OF 1 |     |
|       |                           |       |        |           |                                                                                                                                              |          |       | W3               |        |     |