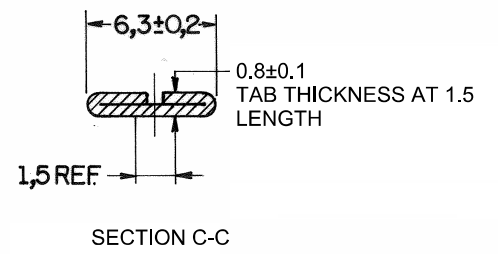
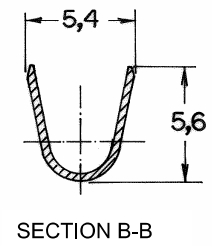
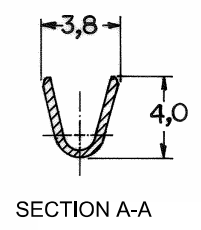
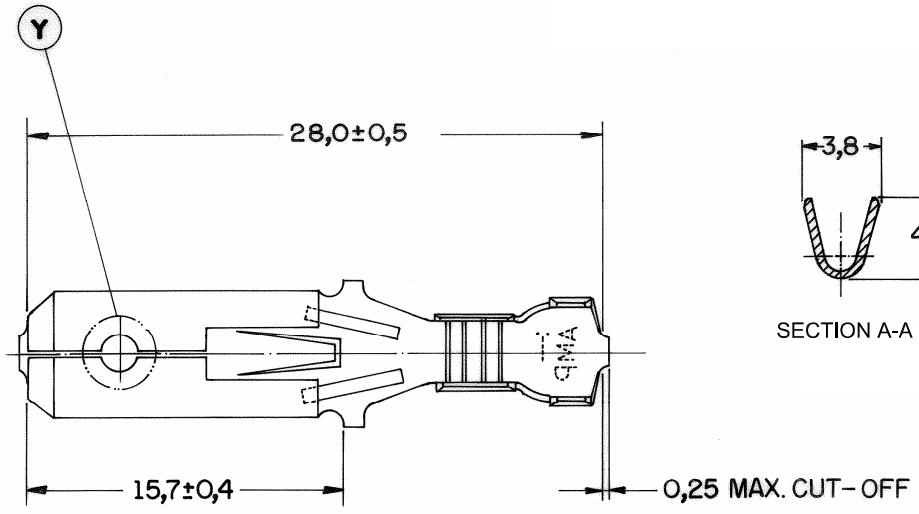


C-880654  
1 of 1

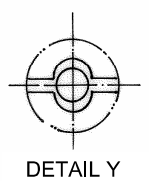
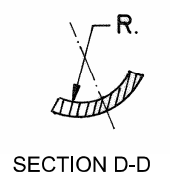
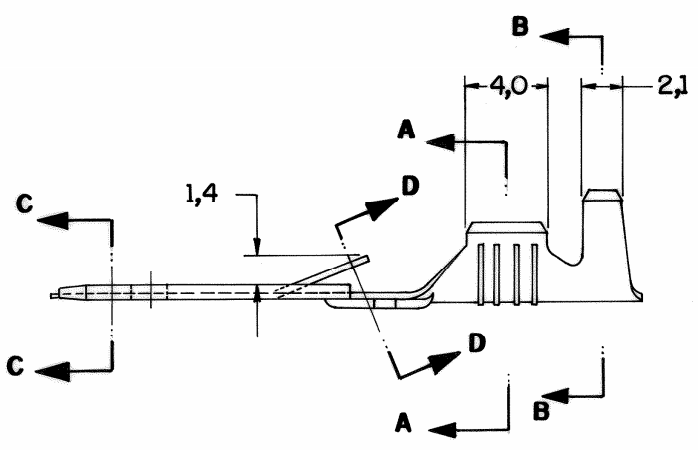
DO NOT SCALE  
DIMENSIONS IN mm.

3rd ANGLE PROJECTION

REV	DESCRIPTION	DATE	DWN	APVD
A1	REVISED PER ECO-14-014586	30SEP2014	NK	TD



1 ORIGINAL STRIP FORM PART NUMBER 880636.



OPTIONAL CONSTRUCTION

OBSOLETE	PRATEADO SILVER-PLATED	BRONZE FOSE PHOS.BRONZE	8
	PRATEADO SILVER-PLATED	LATÃO BRASS	7
	PRÉ-ESTANHADO PRE-TIN	BRONZE FOSE PHOS.BRONZE	6
	PRÉ-ESTANHADO PRE-TIN	LATÃO BRASS	5
	ESTANHADO ELECTRO-TIN	BRONZE FOSE PHOS.BRONZE	4
	ESTANHADO ELECTRO-TIN	BRONZE FOSE PHOS.BRONZE	3
	ESTANHADO ELECTRO-TIN	LATÃO BRASS	2
		LATÃO BRASS	880654
FINISH		MATERIAL	PART NUMBER

TOLERANCES UNLESS OTHERWISE STATED		INS. DIA. RANGE	WIRE RANGE	SCALE
DEC. ± 0,3		2,7-3,7 mm	>1,0-2,5mm	4:1
ANGLES ± 1°		TE Connectivity		
DR. D. A. Rocha				
28-DEC-94				
CHK. 17-MAR-95				
J.R. FOLDSCHMIDT		DESCRIPTION <b>TERMINAL .250 SERIES</b>		
DE. 20 MAR. 95		FASTIN-FASTON TAB LOOSE PIECE		
H.B. VASCONCELLOS		A3 SHEET 1 OF 1 DWG NO C-880654 REV A1		
APP. 20 MAR 95		CUSTOMER DWG for REFERENCE ONLY		