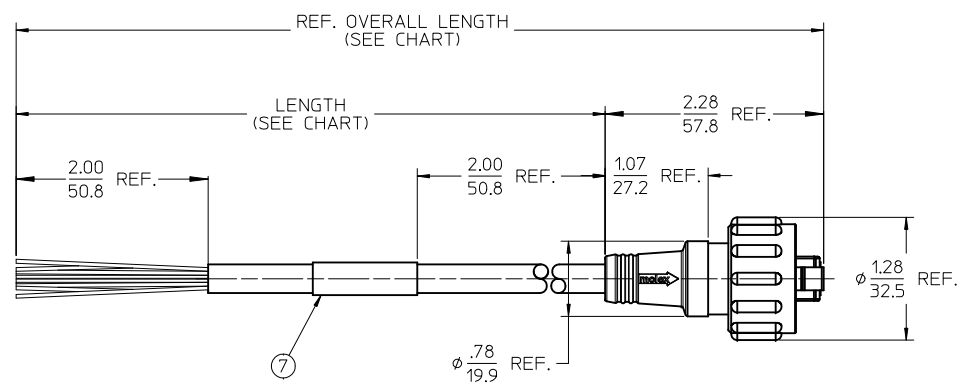
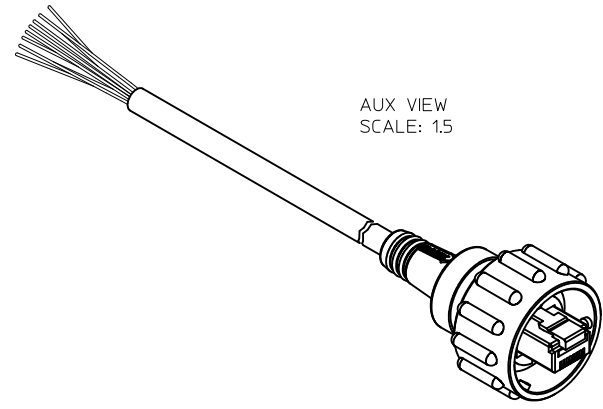
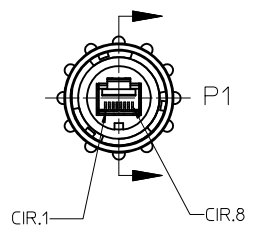
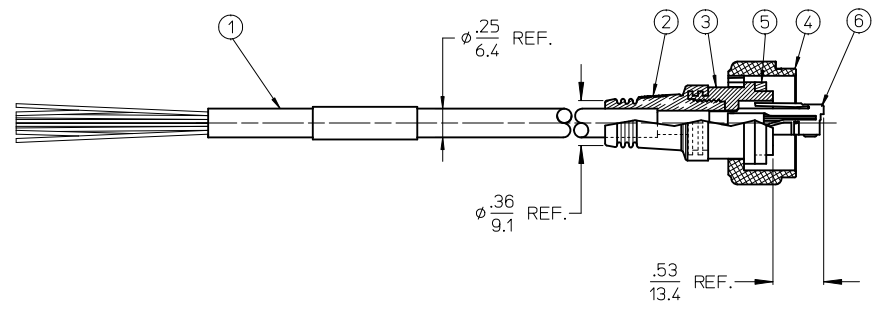


MATERIAL NO.	FINISHED LENGTH	REF. OVERALL LENGTH
847023001	1'0" +1/4"-0 [.3M +6.4mm-0]	1' 2.3" (.36M)
847023003	3'0" +3/4"-0 [.9M +19mm-0]	3' 2.3" (.97M)
847023006	6'0" +1 1/2"-0 [1.8M +38mm-0]	6' 2.3" (1.9M)
847023009	9' 0" +2 1/2"-0 [2.74M +64mm -0]	9' 2.3" (2.8M)
847023012	12' 0"+3"-0 [3.7M +76mm-0]	12' 2.3" (3.7M)
847023020	20' 0" +5"-0 [6.1M +127mm-0]	20' 2.3" (6.2M)
847023050	50' 0" +12 1/2"-0 [15.2M +318mm-0]	50' 2.3" (15.3M)
847023100	100' 0" +25"-0 [30.5M +635mm-0]	100' 2.3" (30.5M)
847023908	9.57' +.75-0 [243mm +19-0]	11.85' (300.9mm)



- NOTES:
1. MATERIAL: SEE TABLE
 2. FINISHES: SEE TABLE
 3. PRODUCT SPECIFICATION: PPS.84.006
 4. MATES WITH BAYONET STYLE RJ-45 JACK ASSEMBLIES
 5. CABLE IS UL RATED TYPE MPR/CMR
 6. COUPLING RING AND HOLDER MEET UL 746C/UV
 7. ASSEMBLY IS RoHS COMPLIANT.



	P1
WHITE-ORANGE	1
ORANGE	2
WHITE-GREEN	3
BLUE	4
WHITE-BLUE	5
GREEN	6
WHITE-BROWN	7
BROWN	8

ITEM	QTY	DESCRIPTION	MATERIAL	FINISH
7	1	WRAP LABEL	PLASTIC FILM	BLACK/YELLOW
6	1	RJ-45 PLUG, SHIELDED	PER VENDOR SPEC.	GOLD PL. CONTACTS
5	1	GASKET SEAL	NITRILE	BLACK
4	1	RJ-45 COUPLING RING	POLYESTER	BLACK
3	1	RJ-45 HOLDER	POLYESTER	BLACK
2	1	OVERMOLD BODY	PVC	BLACK
1	1	CABLE, UTP, 4P, 24 AWG, CAT 6	PVC JACKET	GRAY

CABLE WAS BLACK
 EC NO: MNA2012-0171
 DRWRNSTONE 2011/09/23
 CHKDY: DU 2011/09/26
 APPR: JIMURPHY 2012/01/24

QUALITY SYMBOLS	GENERAL TOLERANCES (UNLESS SPECIFIED)	
	mm	INCH
▽=0	4 PLACES ± ---	± ---
▽=0	3 PLACES ± ---	± ---
	2 PLACES ± ---	± .01
	1 PLACE ± 0.25	± ---
	ANGULAR ± 1/2°	

DRAFT WHERE APPLICABLE MUST REMAIN WITHIN DIMENSIONS

DIMENSION STYLE IN/MM
 SCALE 1:1
 DESIGN UNITS INCH
 THIRD ANGLE PROJECTION
 DRAWN BY SGILBERT DATE 2003/08/15
 CHECKED BY PWALTZ DATE 2003/08/15
 APPROVED BY GROBERTSON DATE 2003/08/15
 MATERIAL NO. SEE CHART

TITLE CORD ASSEMBLY, RJ-45 MALE BAYONET, SNGL ENDED
 MOLEX INCORPORATED
 DOCUMENT NO. SD-84702-003
 SHEET NO. 1 OF 1
 THIS DRAWING CONTAINS INFORMATION THAT IS PROPRIETARY TO MOLEX INCORPORATED AND SHOULD NOT BE USED WITHOUT WRITTEN PERMISSION