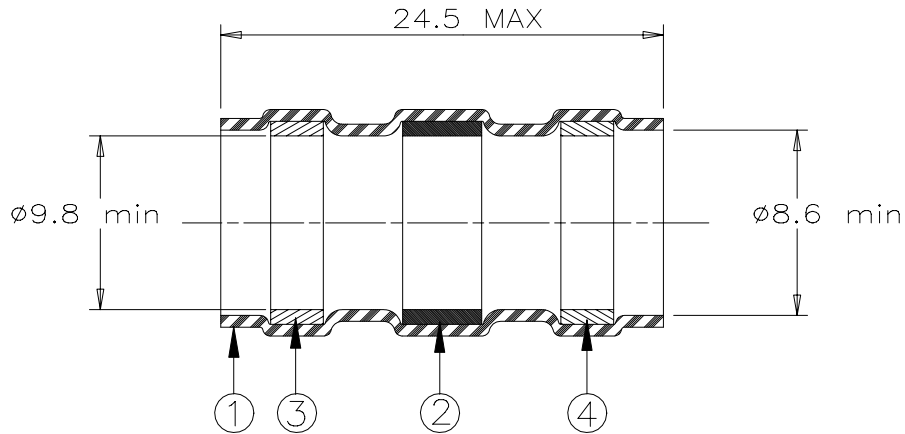


SPECIFICATION CONTROL DRAWING



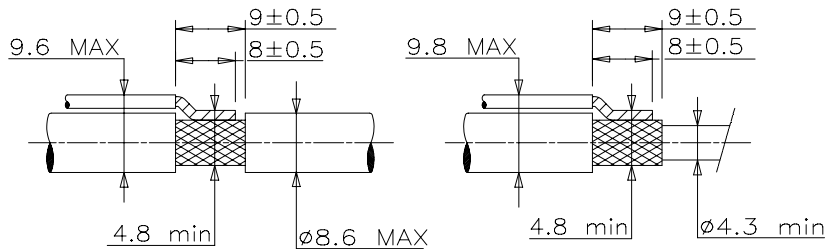
MATERIALS

1. INSULATION SLEEVE: Heat-shrinkable, transparent blue, radiation cross-linked modified polyvinylidene fluoride.
2. SOLDER PREFORM WITH FLUX:
 SOLDER: TYPE Sn96 per ANSI-J-STD-006.
 FLUX: TYPE ROM1 per ANSI-J-STD-004.
3. MELTABLE SEALING RING: Thermally stabilized thermoplastic. Color: red.
4. MELTABLE SEALING RING: Thermally stabilized thermoplastic. Color: blue.

APPLICATION

1. This controlled soldering device is designed for termination of a nickel plated shield of a cable having an insulation rated for at least 150°C.
2. Temperature range: -55°C to +175°C. For application tooling, contact your local Raychem technical service.

For best results, prepare the cable as shown:



* A trademark of Raychem Corporation.

Raychem	THERMOFIT DEVICES	Raychem Corporation 300 Constitution Drive Menlo Park, CA 94025 USA	TITLE: SOLDERSLEEVE* DEVICE SHIELD TERMINATION HIGH TEMPERATURE				
UNLESS OTHERWISE SPECIFIED DIMENSIONS ARE IN MILLIMETERS. INCHES DIMENSIONS ARE BETWEEN BRACKETS.			DOCUMENT NO.: B-022-05				
TOLERANCES: 0.00 N/A 0.0 N/A 0 N/A	ANGLES: N/A ROUGHNESS IN MICRON	Raychem reserves the right to amend this drawing at any time. Users should evaluate the suitability of the product for their application.	DCR NUMBER: D980892	REPLACES: B02205			
DRAWN BY: M. FORONDA	DATE: 07/10/98	PROD. REV. D	DOC ISSUE: 1	SCALE: None	SIZE: A	SHEET: 1 of 1	

**If this document is printed it becomes uncontrolled.
Check with the web for latest revision.**