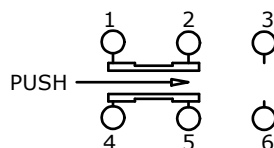


SWITCH FUNCTION	
POS. 1	POS. 2
ON	ON
2-1, 5-4	2-3, 5-6

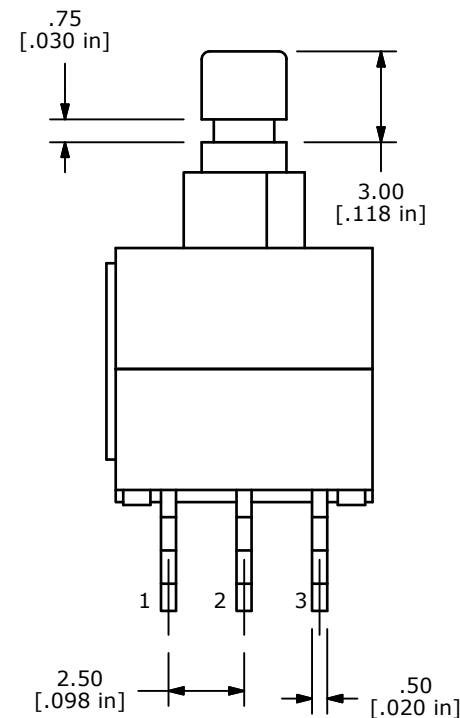
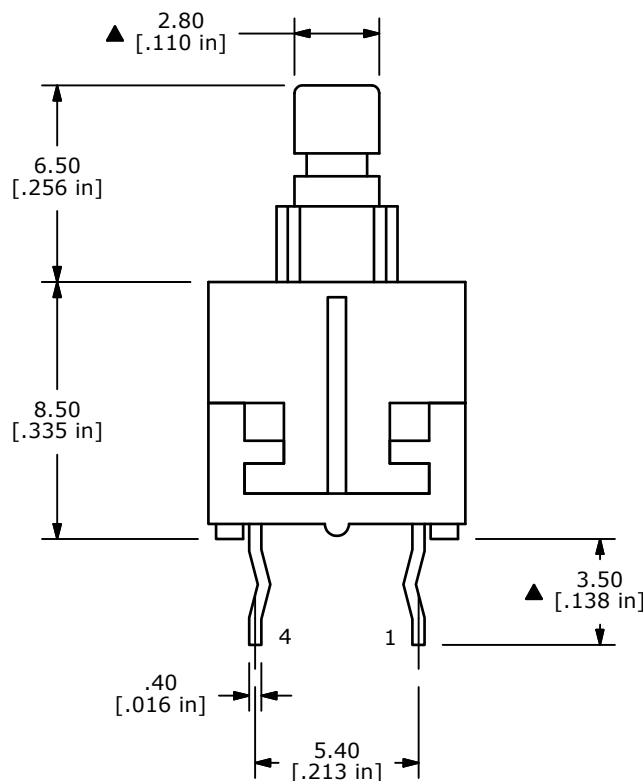
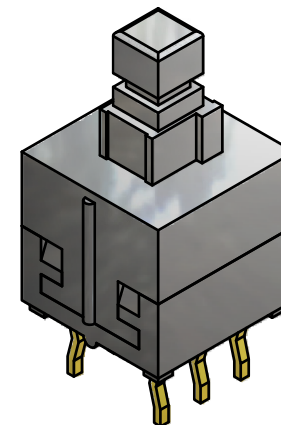
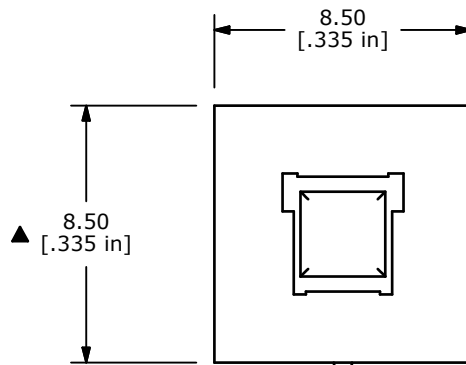
D

C



BREAK BEFORE MAKE ▲

- NOTES:
1. ALL DIMENSIONS IN MM [INCH]
 2. GENERAL TOLERANCE: X.X±0.4
X.XX±0.25
 3. TERMINAL NUMBERS FOR REF. ONLY
 - ▲ 4. RATING: 0.1A @ 30VDC
 5. TRAVEL: 2.50±0.38mm
 6. OPERATING FORCE: 220±50gf
 7. ELECTRICAL LIFE: 10,000 CYCLES
 8. ▲ DENOTES CRITICAL PARAMETER
 9. 2002/95/EC (RoHS) COMPLIANT C



E	19697	CHANGE TERMINAL NUMBERS	2/21/11	BGL
D	19369	REMOVE () FROM FUNCTION BLOCK	10/20/10	BMA
C	19364	CORRECT SWITCH FUNCTION BLOCK	10/19/10	BMA
B	18018	Redrawn and chg force from 180 to 220	3/17/08	rc
REV	PCR NO	DESCRIPTION	DATE	BY

THE INFORMATION CONTAINED IN THIS DOCUMENT IS PROPRIETARY TO E-SWITCH AND IS NOT TO BE COPIED OR TRANSFERRED



TITLE TL2201EEZB

SCALE 2:1

DATE 3/17/2008

DR rc

DWG P010773

REV E