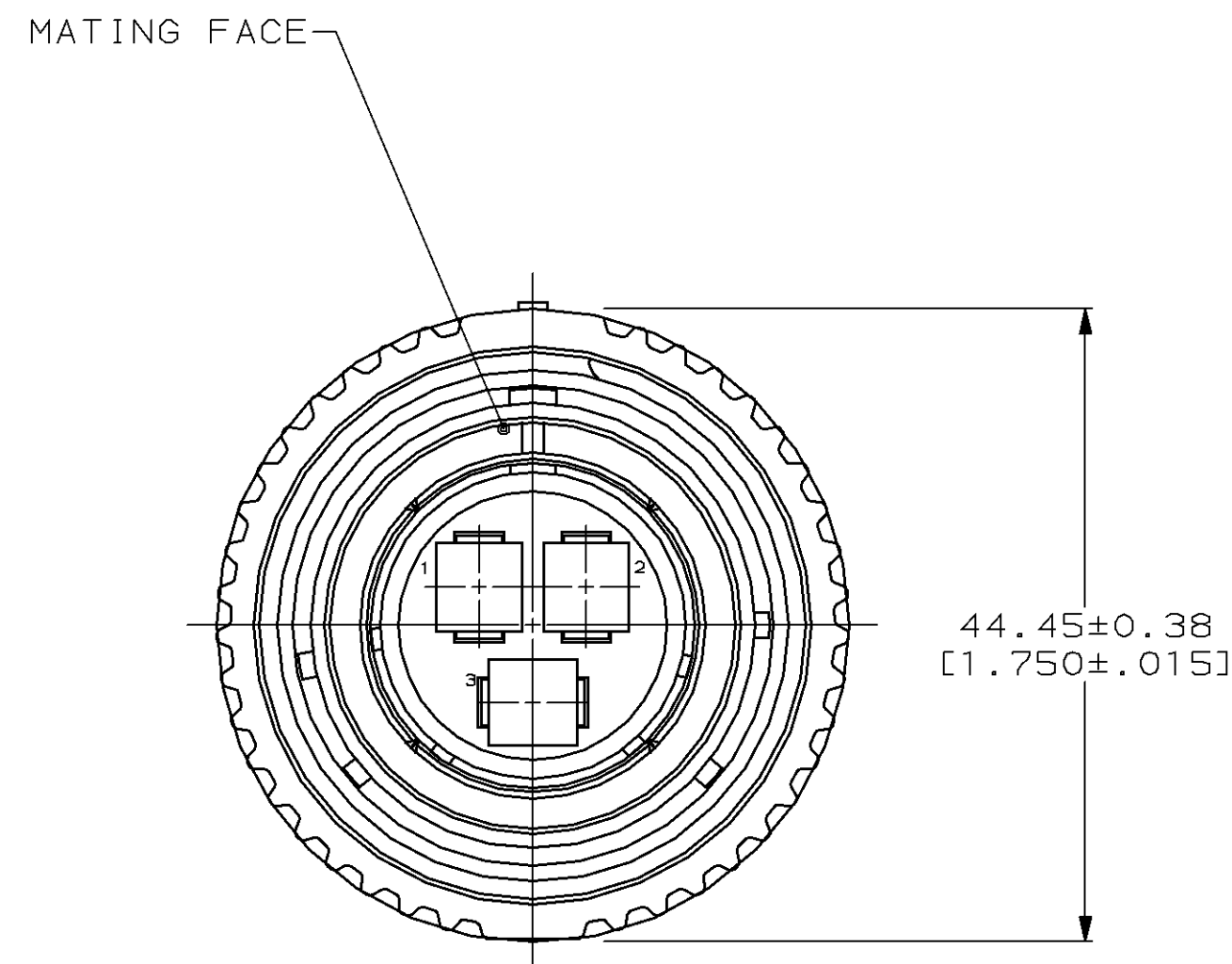
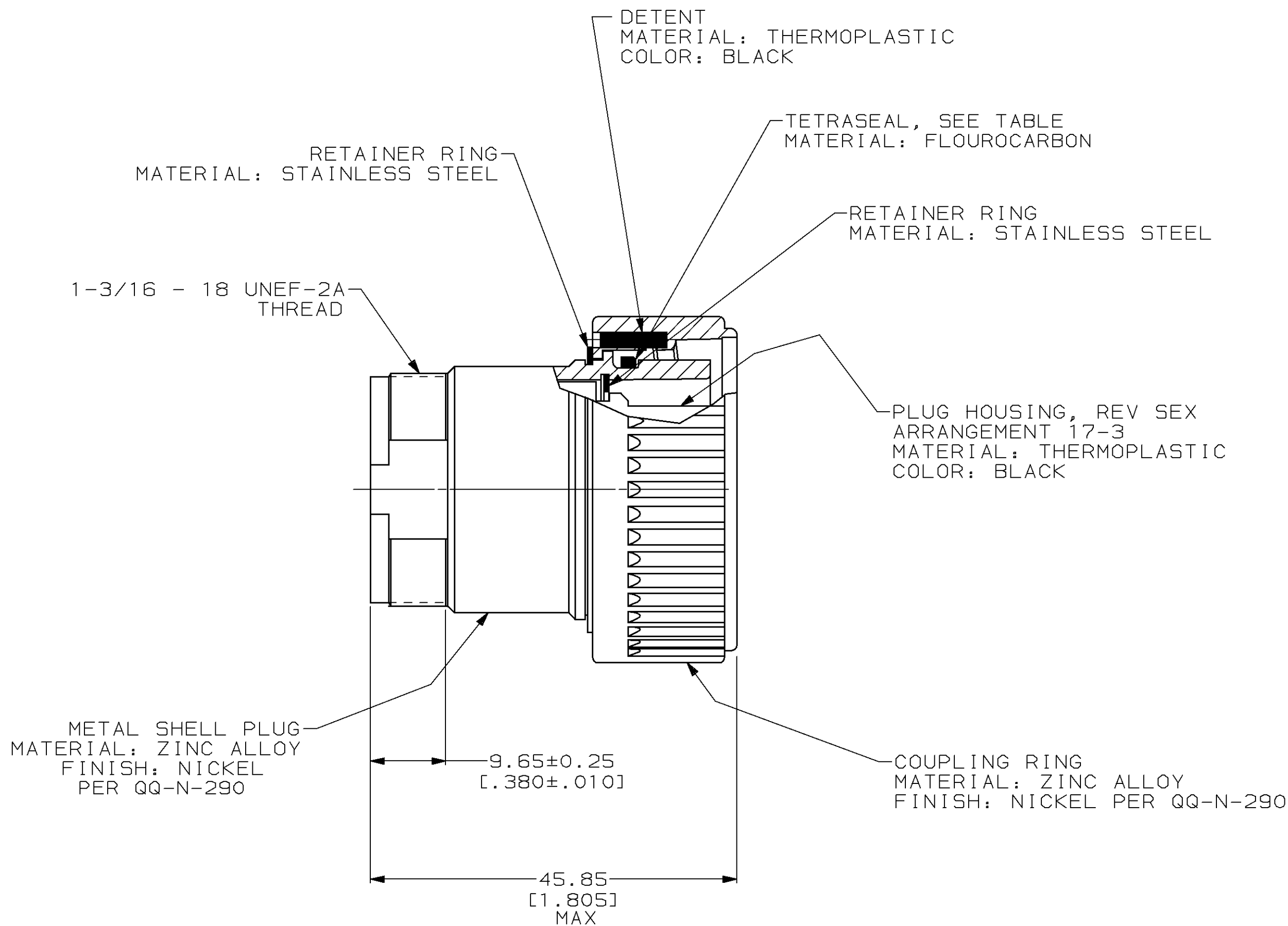


MOD	LOC	DIST	P	F	ZONE	LTR	DESCRIPTION	DATE	APPD
4	BD	35				H	REDRAWN & REV PER ECN BD5454	7-1-92	-
						J	OBS -3 PER EC 0020-0394-93	11/17/94	RK



- 208496-1 MATES WITH RECEPTACLE 208497-1.
208496-3 MATES WITH RECEPTACLE 208497-3.
- AMP PART NUMBER AND DATE CODE TO BE LOCATED APPROX ON COUPLING RING.
- THIS PLUG ACCEPTS THREE TYPE XII MALE CONTACTS.
MAX WIRE INSULATION DIA = .220.

OBSOLETE	YES	208496-3
	NO	208496-1
	TETRASEAL	PART NO

DO NOT SCALE PRINT. UNLESS SPECIFIED DIMENSIONS IN mm [INCHES] TOLERANCES ON : 2 PLC DEC ± - 3 PLC DEC ± - ANGLES ± -	DR 12-3-92 H MOLL CHK 12-29-92 R.STONE APPD 12-29-92 K.BEAVER APPD 12-29-92 C.ROHDE	AMP AMP Incorporated Harrisburg, PA 17105-3608 NAME PLUG ASSEMBLY, REVERSE SEX, SERIES 3, 22-3, CMC		
MATERIAL SEE CALLOUT	PRODUCT SPEC 108-10040	SIZE C	CAGE CODE 00779	DRAWING NO G=208496
FINISH SEE CALLOUT	APPLICATION SPEC -	SCALE 2:1	SHEET 1 OF 1	
	WEIGHT -			

THIS DRAWING IS A CONTROLLED DOCUMENT FOR AMP INCORPORATED. IT IS SUBJECT TO CHANGE AND THE CONTROLLING ENGINEERING ORGANIZATION SHOULD BE CONTACTED FOR THE LATEST REVISION.