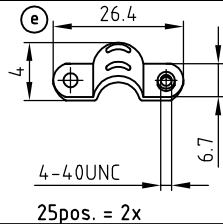
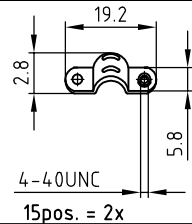
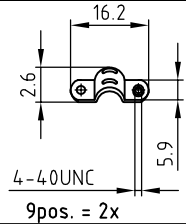
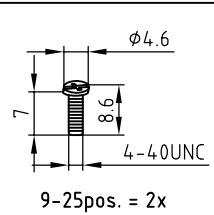
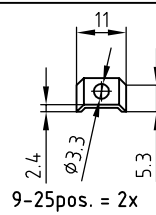
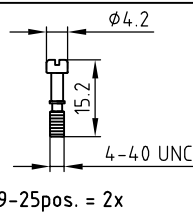
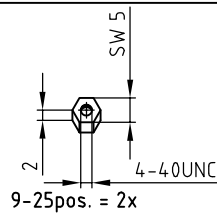
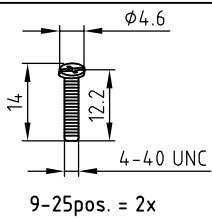
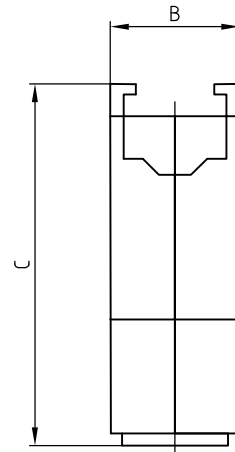
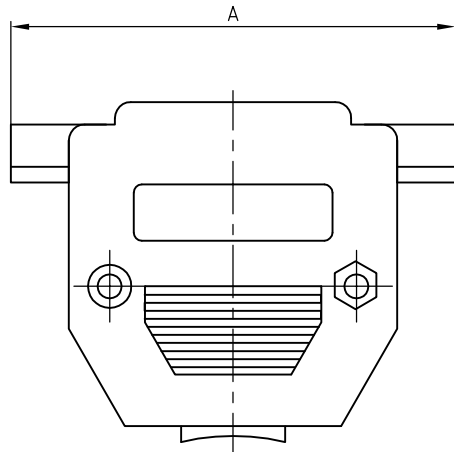
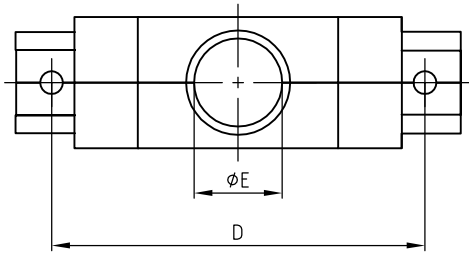


used for: D-SUB



POS.	A	B	C	D	E	Colour	Part-No.
9	30.5	16	41	25	7	grey	300X10169X
						metallized	300X10109X
15	40	16.2	37.4	33.3	9.9	grey	300X10179X
						metallized	300X10119X
25	55	16.5	44.5	47	10.7	grey	300X10209X
						metallized	300X10149X

THIS DRAWING MAY NOT BE COPIED OR REPRODUCED IN ANY WAY, AND MAY NOT BE PASSED ON TO A THIRD PARTY, WITHOUT WRITTEN PERMISSION. OWNERSHIP AND COPYRIGHT OF CONEC GmbH DO NOT ALTER CAD DRAWING BY HAND

rev.	description	date	name
1 x e	Ä6582	15.03.2017	Lehmen
2 x d	Ä 6248	05.08.2016	Unkr.
1 x c	Ä 2309	07.09.2005	Lehmen
2 x b	Ä 2298	19.08.2005	Lehmen

tolerance
 .X ±0.30
 .XX ±0.20
 .XXX ±0.10

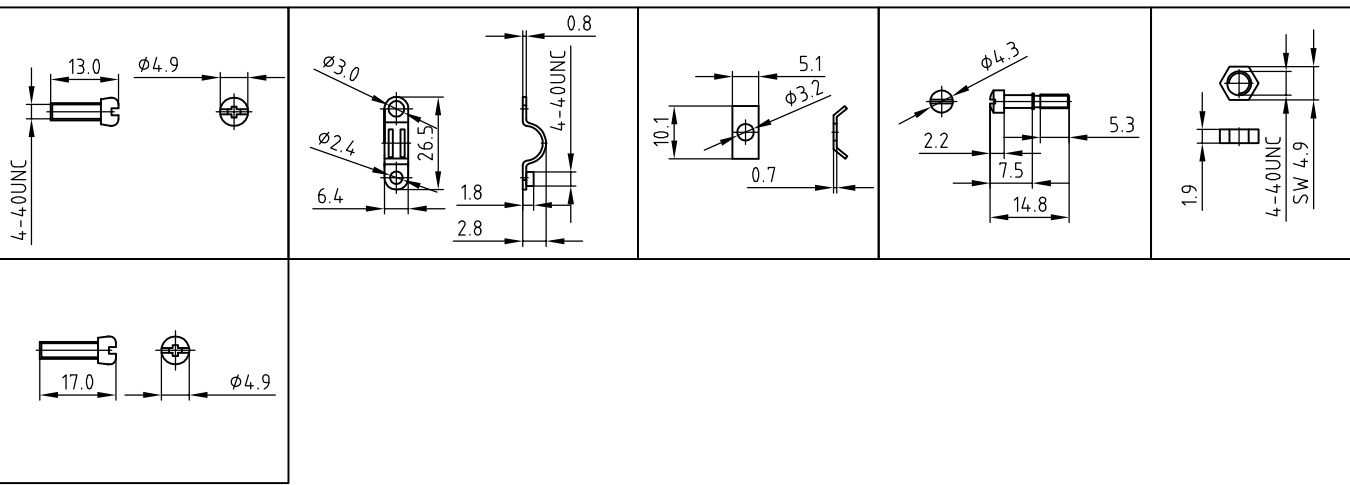
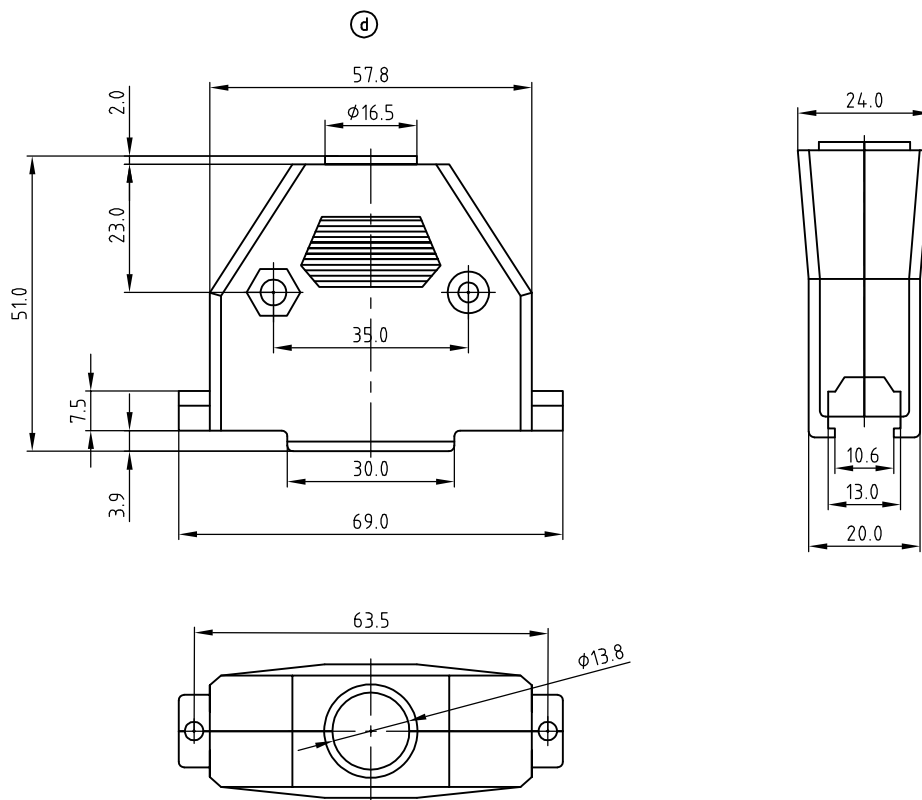


scale: 2:1
 material:
 title: TWO-PIECE SHELL HOOD
 9-25pos.
 with short screw
 dwg no: DIN-A
 3
 sh:1/4
 part no: SEE TABLE

RoHS compliant



used for: D-SUB



d	
Colour	Part-No.
grey	300X10219X
metallized	300X10159X

RoHS compliant

THIS DRAWING MAY NOT BE COPIED OR REPRODUCED IN ANY WAY, AND MAY NOT BE PASSED ON TO A THIRD PARTY, WITHOUT WRITTEN PERMISSION. OWNERSHIP AND COPYRIGHT OF CONEC GmbH DO NOT ALTER CAD DRAWING BY HAND

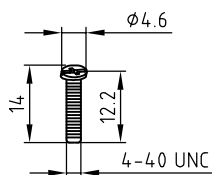
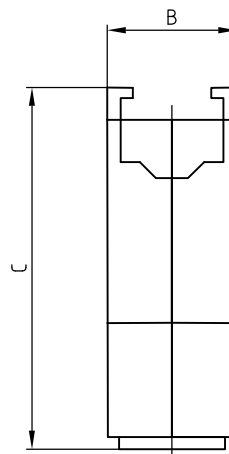
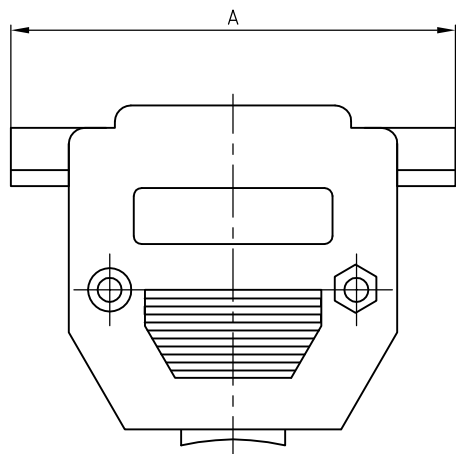
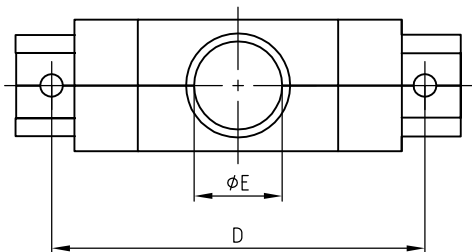
rev.	description	date	name
2 x d	Ä 6248	05.08.2016	Unkr.
1 x c	Ä 2309	07.09.2005	Lehmen
2 x b	Ä 2298	19.08.2005	Lehmen

1995	date	name
drawn	30.60.	Barcinski
appd.	30.06.	Mickenbecker
norm		

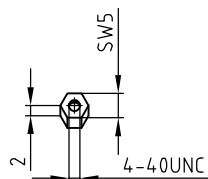
tolerance	X ±0.30 XX ±0.20 XXX ±0.10	dim. in mm	scale:	2:1
			material:	
			title:	TWO-PIECE SHELL HOOD 37pos. with short screw
			dwg no:	16V1103A
			part no:	SEE TABLE
				DIN-A 3 sh:2/4



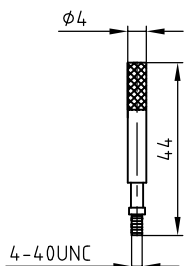
used for: D-SUB



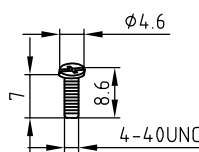
9-25pos. = 2x



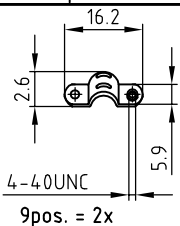
9-25pos. = 2x



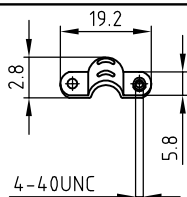
9-25pos. = 2x



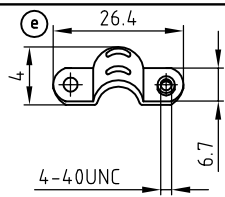
9-25pos. = 2x



9pos. = 2x



15pos. = 2x



25pos. = 2x

POS.	A	B	C	D	E	Colour	Part-No.
9	30.5	16	41	25	7	grey	300X10829X
						metallized	300X10879X
15	40	16.2	37.4	33.3	9.9	grey	300X10839X
						metallized	300X10889X
25	55	16.5	44.5	47	10.7	grey	300X10859X
						metallized	300X10909X

RoHS compliant

THIS DRAWING MAY NOT BE COPIED OR REPRODUCED IN ANY WAY, AND MAY NOT BE PASSED ON TO A THIRD PARTY, WITHOUT WRITTEN PERMISSION. OWNERSHIP AND COPYRIGHT OF CONEC GmbH DO NOT ALTER CAD DRAWING BY HAND

rev.	description	date	name
1 x e	Ä6582	15.03.2017	Lehmen
2 x d	Ä 6248	05.08.2016	Unkr.
1 x c	Ä 2309	07.09.2005	Lehmen
2 x b	Ä 2298	19.08.2005	Lehmen

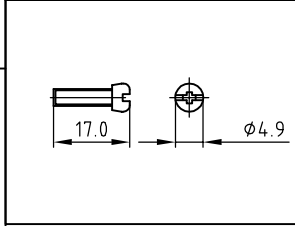
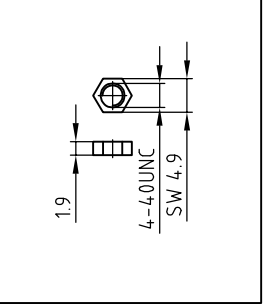
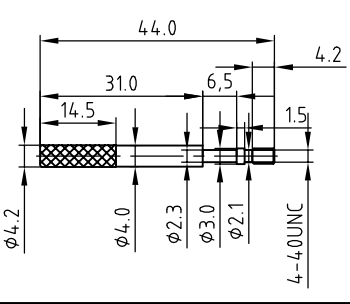
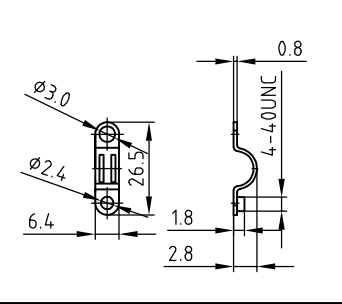
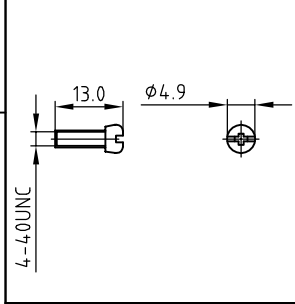
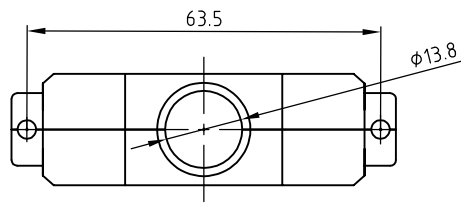
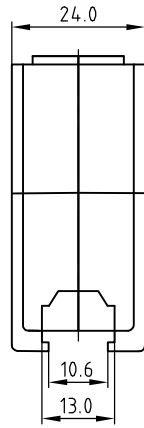
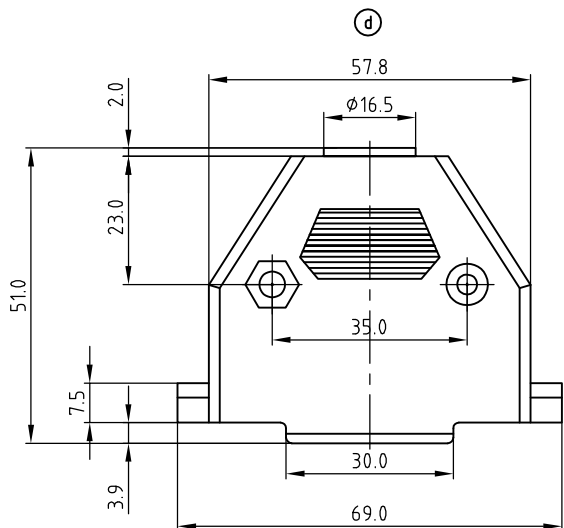
1995	date	name
drawn	30.06.	Barcinski
appd.	30.06.	Mickenbecker

1995	date	name
norm		
d-old		

tolerance	.X ±0.30 .XX ±0.20 .XXX ±0.10	dim. in mm	scale:	2:1
material:		title:	TWO-PIECE SHELL HOOD 9-25pos. with long screw	
dwg no:		part no:	SEE TABLE	DIN-A 3 sh:3/4



used for: D-SUB



d	
Colour	Part-No.
grey	300X10869X
metallized	300X10919X

THIS DRAWING MAY NOT BE COPIED OR REPRODUCED IN ANY WAY, AND MAY NOT BE PASSED ON TO A THIRD PARTY, WITHOUT WRITTEN PERMISSION. OWNERSHIP AND COPYRIGHT OF CONEC GmbH DO NOT ALTER CAD DRAWING BY HAND

rev.	description	date	name
2 x d	Ä 6248	05.08.2016	Unkr.
1 x c	Ä 2309	07.09.2005	Lehmen.
2 x b	Ä 2298	19.08.2005	Lehmen.

1995	date	name
drawn	30.60.	Barcinski
appd.	30.06.	Mickenbecker
norm		

tolerance	X ±0.30 XX ±0.20 XXX ±0.10	dim. in mm	scale:	2:1
			material:	
			title:	TWO-PIECE SHELL HOOD 37pos. with long screw
			dwg no:	16V1103A
			part no:	SEE TABLE
			DIN-A	3
			sh:4/4	

RoHS compliant

